

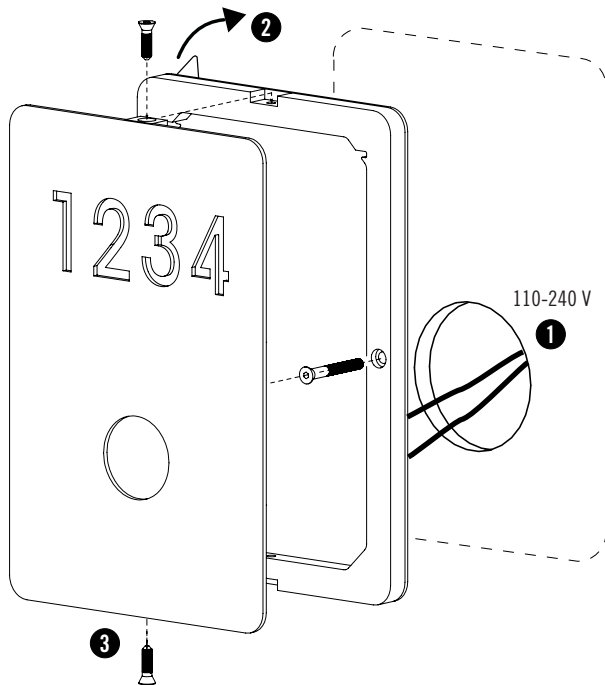
Installation Instructions

LED Panel & Doorbell

Panel 1 / Panel 2 / Panel 3

version 1.0
www.luxello.com

LED Panel Installation



Installation Instructions

- ① Cut out a 45mm / 1.77" hole.
Connect both wire to the terminal and test.
- ② Align with wall, remove dirt and peel of 3M adhesive and stick to wall.
- ③ *Optional (remove front panel screws and secure backplate with screws.)

LED Panels

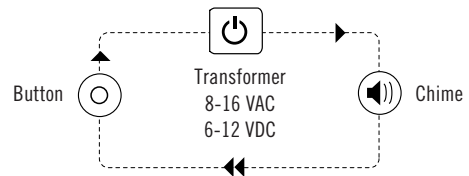
Material:	Stainless Steel, PMMA
Light:	5 x Cree LED
Voltage:	8 -16V AC, or 6 - 12 V DC
Watts:	.035A at 12 Volt DC
Colors:	B (Blue), G (Green), A (Amber) W (White), R (Red)

Dimensions:

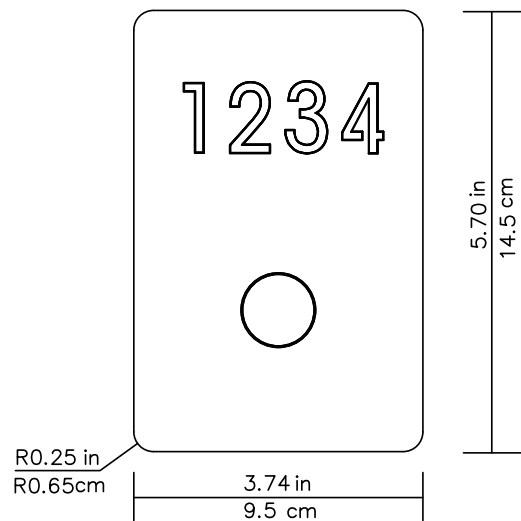
Grossweight:	150g
Size (cm):	D: 0.92, W: 9.5, H: 14.5
Size (inch):	D: .36", W: 3.74", H: 5.7"

CE ADA

Doorbell System:



Copyright © 2009
 Assembled in the USA



- (Remove adhesive from acrylic panel.)
- ④ Press firmly to the wall for a clean connection.
*Other adhesive maybe required for differnt surfaces.