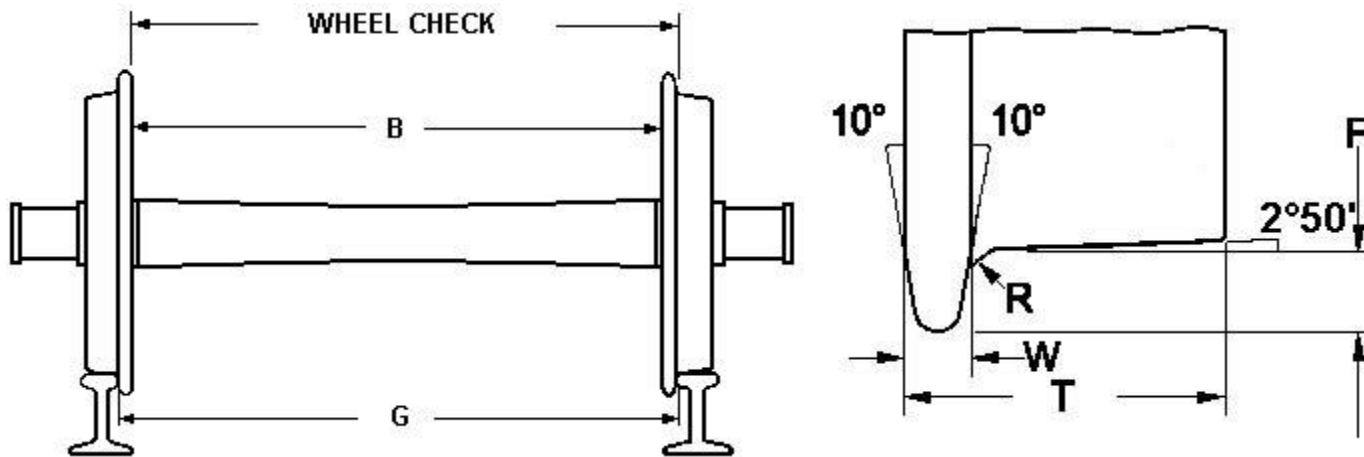


IBLS Wheel and Coupler Standards

Note: Some of the data may have changed since published

Coupler height from center of coupler to the top of the rail: 4.38"



These "Interim IBL Standards" have been widely adopted and have become the accepted wheel standards for the hobby.

	Track Gauge Minimum	T Tire Width Minimum	W Flange Width Maximum	F Flange Depth Maximum	R Contour Radius	B Back to Back	G Wheel Gauge	Wheel Check Reference
1½" to 1 foot 7¼"	7.25"	0.750"	0.156"	0.187"	0.094" +/- .015	6.870" +.020 -.000	7.190" +.000 -.020	7.031"
1½" to 1 foot 7½"	7.50" see note 1	0.750"	0.156"	0.187"	0.094" +/- .015	7.120" +.020 -.000	7.440" +.000 -.020	7.281"

Note 1: Most tracks are being built to 7.5625" to 7.625 gauge to reduce rail head wear.