



Fast response monitor for the detection of a target gas

SPM



Advantages

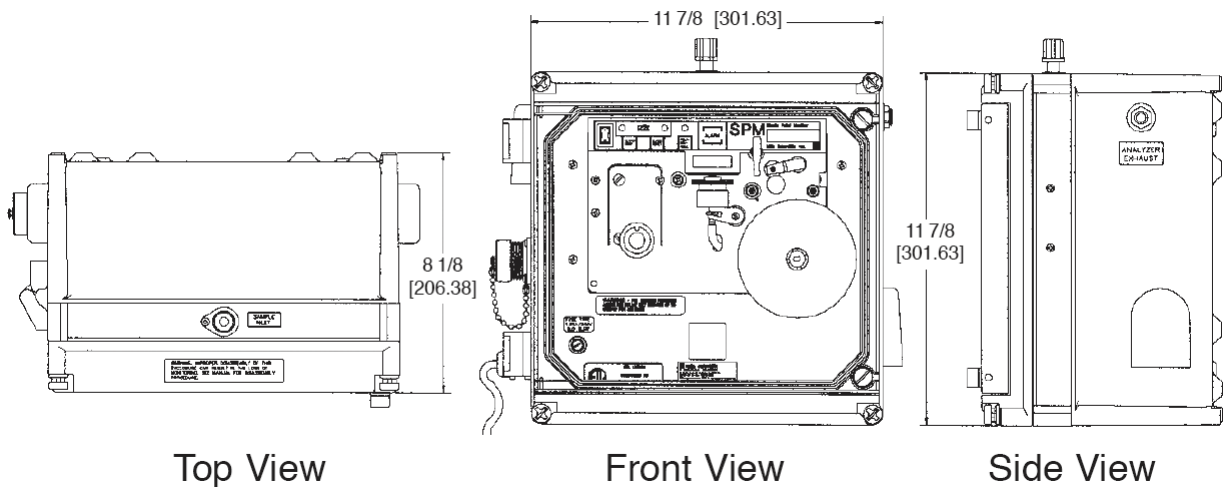
- Fast response monitor specific to target gas only
- Gas sensitivity to ppb levels with physical evidence
- Minimum maintenance and no dynamic calibration
- Customized for harsh industrial environments
- More than 50 gas calibrations available

Applications

- Outdoor locations
- Corrosive areas
- Remote sampling areas
- Gas storage areas
- Survey work
- Perimeter/fencelines
- Ventilation and exhaust systems

Options

- Z-purge system
- Duty cycle
- ChemKey™
- RS422
- Remote reset
- Portable
- Extended sample
- Heater option
(operate from -20°C to $\pm 40^{\circ}\text{C}$)



Technical Specification



Specifications

Detection Technique	Chemcassette® Detection System
Alarm Point	Dual level alarms typically set at 1/2 TLV and TLV
Response Time	As fast as 10 seconds
Alarm Indication	Local audio/visual alarms; remote capability optional
Signal Outputs	SPDT concentration alarm relays; SPDT fault relay; 4-20 mA; digital display
Relay Rating	120VAC@10amps; 240VAC@5amps; 48VDC@5amps
Operating Temperature Range	32° to 104°F; 0° to 40°C (basic unit); heating/cooling optional
Power Requirements	115/230 VAC 50/60 Hz, battery operation optional
Enclosure	NEMA 4X fiberglass (basic unit)
Dimensions	12"(H) x 12"(W) x 7"(D) (30.5 x 30.5 x 17.8 cm) (basic unit)
Weight	Up to 25 pounds, depending on option installed

Note: options may vary the specifications

Detectable Gases Range

Amines

Ammonia (NH ₃)	2.6-75.0 ppm
Ammonia (NH ₃)-II	2.6-75.0 ppm
Dimethylamine (DMA)	0.1-6 ppm
n-Butylamine (n-BA)	0.4-12 ppm
Methylene Dianiline (MDA)	3-60 ppb
p-Phenylene Diamine (PPD, PPDl)	2-60 ppb
Toluene Diamine (TDA)	4-60 ppb
Trimethylamine (TMA)	1.1-30.0 ppm

Diisocyanates

(CHDI, HDI, HMDI, IEM, IPDI, MDI, NDI, PPDl, TDI, TMDI, TMXDI, XDI)	2-60 ppb
---	----------

Hydrazines

MMH*	3-30 ppb
N ₂ H ₄ *	20-300 ppb
UDMH*	5-30 ppb

Hydrides

Arsine (AsH ₃)	15-150 ppb
Diborane (B ₂ H ₆)	31-300 ppb
Disilane (Si ₂ H ₆)	1.5-15 ppm
Germane (GeH ₄)	141-600 ppb
Hydrogen Selenide (H ₂ Se)	20-150 ppb
Phosphine (PH ₃)	32-900 ppb
Silane (SiH ₄)*	0.5-15 ppm
Stibine (SbH ₃)	20-300 ppb
tert-Butylarsine (TBA)	15-150 ppb
tert-Butylphosphine (TBP)	60-900 ppb

Hydrogen Cyanide (HCN)

	1.1-30.0 ppm
--	--------------

Hydrogen Sulfide (H₂S)*

	1.1-30.0 ppm
--	--------------

Mineral Acids

Hydrogen Bromide (HBr)*	0.3-9.0 ppm
Hydrogen Chloride (HCl)*	0.5-15.0 ppm
Hydrogen Fluoride (HF)	0.6-9.0 ppm
Hydrogen Iodide (HI)	0.3-9.0 ppm
Nitric Acid (HNO ₃)	0.2-6.0 ppm
Sulfuric Acid (H ₂ SO ₄)	26-750 ppb

Oxidizers

Bromine (Br ₂)	11-300 ppb
Chlorine (Cl ₂)	0.05-1.5 ppm
Chlorine (Cl ₂)	-II 0.05-1.5 ppm
Chlorine Dioxide (ClO ₂)	11-300 ppb
Hydrogen Peroxide (H ₂ O ₂)*	0.1-3 ppm
Nitrogen Dioxide (NO ₂)*	0.3-9.0 ppm
Ozone (O ₃)	31-300 ppb

Phosgene (COCl₂)*

	11-900 ppb
--	------------

Sulfur Dioxide (SO₂)*

	0.2-6.0 ppm
--	-------------

* other ranges available

Honeywell Analytics Lines of Business



Commercial

Vulcain-brand gas detection from stand-alone units to fully engineered, multi-point systems, all offering cost-effective regulatory compliance

- » Applications: parking structures, chillers, mechanical rooms, office towers, commercial buildings, shopping centers, swimming pools, golf courses, schools and universities, laboratories

Industrial

Renowned Sieger and Manning gas detection systems with advanced electrochemical, infrared and open path sensing technologies

- » Applications: oil and gas, cold storage, water/wastewater treatment, chemicals, engine rooms, plastics and fibers, agriculture, printing and light industrial

Portables

Single or multi-gas Lumidor and other premium detectors with compact, lightweight designs ranging from simple alarm only units to advanced, fully configurable and serviceable instruments

- » Applications: underground utility and electricity ducts, boiler rooms, post-fire sites, sewers, industrial plants, industrial hygiene, first responder teams, remote fleets



Find out more

www.honeywellanalytics.com

Contact Honeywell Analytics:

Americas

Honeywell Analytics Inc.
405 Barclay Blvd.
Lincolnshire, IL 60069
USA

Tel: +1 847 955 8200

Toll free: +1 800 538 0363

Fax: +1 847 955 8210

detectgas@honeywell.com

Technical Services

ha.us.service@honeywell.com

www.honeywell.com

High Tech/Government

A complete portfolio of gas and chemical detection instrumentation including infrared spectroscopy (MST) with no cross interference, to Chemcassette paper-based solutions (MDA Scientific) offering detection down to parts per billion

- » Applications: semiconductor manufacturing and nanotechnology, aerospace propulsion and safety, specialty chemicals industry, research laboratories, emergency response

Europe, Middle East, Africa

Life Safety Distribution AG
Wilstrasse 11-U31
CH-8610 Uster
Switzerland

Tel: +41 (0)44 943 4300

Fax: +41 (0)44 943 4398

gasdetection@honeywell.com

Technical Services

24/7 global network includes post-sales service and Systems Integration teams

- » Emergency call out, service contracts, on/off-site repair, training and commissioning
- » Complete range of spares, consumables and accessories

Asia Pacific

Honeywell Analytics Asia Pacific
#508, Kolon Science Valley (I)
187-10 Guro-Dong, Guro-Gu
Seoul, 152-050
Korea

Tel: +82 (0)2 2025 0307

Fax: +82 (0)2 2025 0329

analytics.ap@honeywell.com

Please Note:

While every effort has been made to ensure accuracy in this publication, no responsibility can be accepted for errors or omissions. Data may change, as well as legislation, and you are strongly advised to obtain copies of the most recently issued regulations, standards, and guidelines. This publication is not intended to form the basis of a contract.

H_SPM-DS_V 3 US 3/08
© 2008 Honeywell Analytics

Honeywell