

Job: _____

Engineer: _____

Contractor: _____

Prepared By: _____ Date: _____

Model: _____ Indoor/Outdoor: _____ MBTUH Input: _____

Delta Limited™ - Type H

Space Heating/Hot Water Boiler Models 989B-2339B

100% Factory Fire Tested

Efficiency: 84%

Maximum Outlet Temperature: 230°F

Minimum Non-Condensing Inlet Temperature: 105°F

Thermal Shock Proof Heat Exchanger

Limited Twenty-Year Thermal Shock Warranty

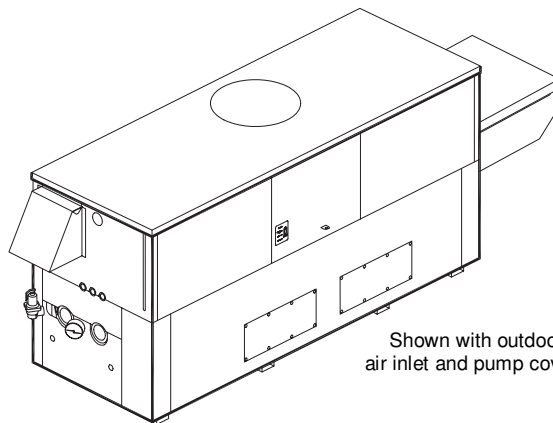
**Limited Ten-Year Closed-System Heat Exchanger
Warranty**

PolyTuf Powder Coated Cabinet

No Combustible Floor Shield Required

Fan-Assisted

Patented Burner Security Blanket



Shown with outdoor
air inlet and pump covers



Proudly Assembled in the USA

Heat Exchanger

- H Stamp
- Headers
 - Glass-Lined Cast Iron – Standard
 - Bronze – Option A-1
- ASME Inspected and Stamped
160 PSIG Working Pressure
- National Board Approved
- Fin Tubing
 - Copper – Standard
 - Cupro Nickel – Option A-3
- ASME Steel Tube Sheet
- Silicone High Temp O-Rings
- ASME Pressure Relief Valve
 - 60 PSIG – Standard
 - _____ PSIG – Optional
- Temperature and Pressure Gauge
- Water Connections
 - Left – Standard
 - Right – Option A-6

Controls

- 120V, 60Hz, 1 Phase Power Supply
- 120/24V 60Hz Transformer
- 100% Shut-Off/Lockout
- Hot Surface Ignition
- Remote Flame Sensor
- High Limit Control, Manual Reset
- On/Off Power Switch
- Manual Shut-Off, Front-Mounted Switch
- Flow Switch
- Blocked Vent Pressure Switch
- Combustion Air Proving Switch
- Pump Time Delay Relay
- Status Display Lights

Gas Train

- Manual Gas Shut-Off Valve(s)
- Combination Valves
- Low Gas Pressure Switch, Manual
- Firing Stages
 - 2-Stage: Model 989B
 - 3-Stage: Model 1259B
 - 4-Stage: Models 1529B-2339B
- Fuel
 - Natural Gas
 - Propane Gas
- Design Certified - ANSI
Z21.13/CSA 4.9

Burner

- Ultra-Low NOx: Less than
20 PPM

Construction

- Indoor/Outdoor Construction
- Enclosed Front Controls
- CSA Low Lead Certified ≤ .25 Pb

Venting

- Vent Location
 - Top, Outdoor – Standard
 - Top, Indoor – Option D-20
 - Rear – Option D-14
- Vent Termination Cap
 - Outdoor D-11
 - Indoor, Horizontal D-15
 - Indoor, Vertical (by others)
- Extractor – Optional
 - By others
 - Not required

Temperature Controls

- B-6 Aquastat, 2-Stage (100-200°F)
- B-___ TempTracker Digital Controller,
2-Stage (Loose)
- B-___ TempTracker Digital Controller,
4-Stage (Loose)
- B-___ TempTracker Mod+ Hybrid (2-
16 Boilers)
- B-60 Stage Interface

Options

- C-6 Ignition Module, Manual Reset
- F-10 Low Water Cut-Off, Remote
Probe
- I-1 High Limit Control, Auto Reset
- P-___ Pump: _____ HP, 120V,
1Ø, 60Hz
 - Cast Iron
 - Mounted
 - Front
 - Bronze
 - Loose
 - Rear
- P-___ Cold Water Start
(See 2000.48)
- S-2 High Gas Pressure Switch,
Manual
- X-1 SureRack™ Kit
- X-2 SureRack Add-on

Regulatory Agency Requirements



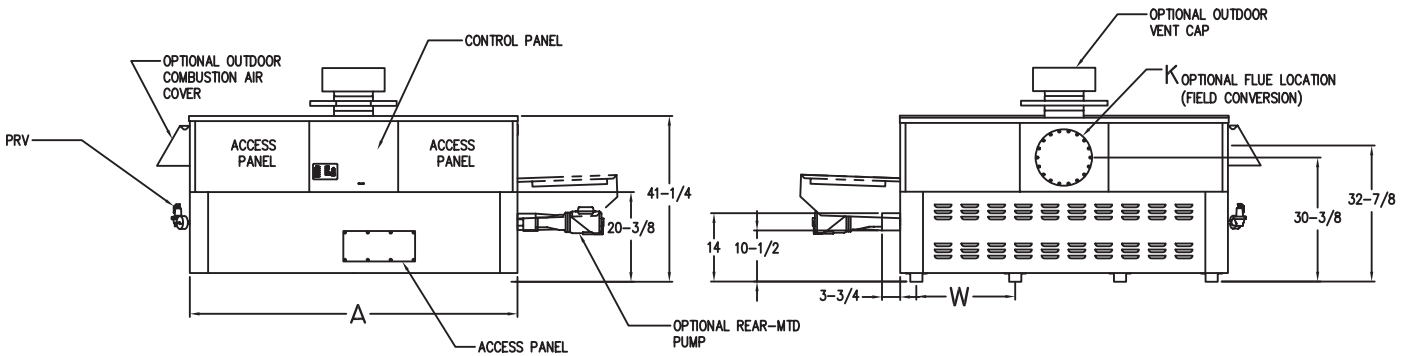
Delta Limited models not approved for use in California

Raypak®

A Rheem® Company

Delta Limited – Type H Models 989B-2339B

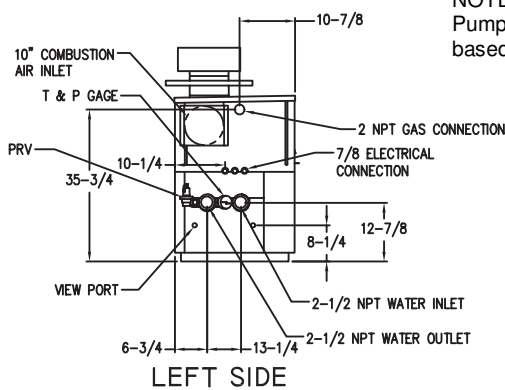
Model _____



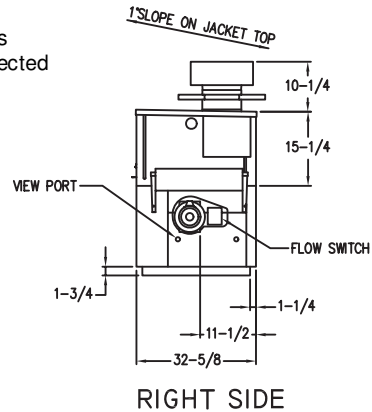
FRONT VIEW

BACK VIEW

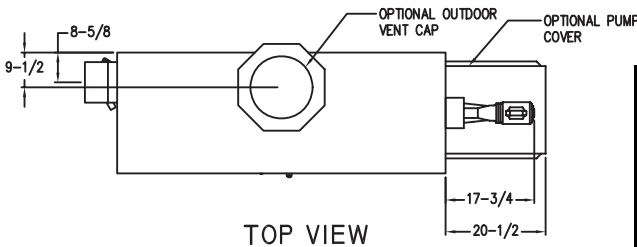
NOTE:
Pump location varies
based on model selected



LEFT SIDE



RIGHT SIDE



TOP VIEW

RATES OF FLOW AND PRESSURE DROPS

Model	20°F ΔT		30°F ΔT		Min. Flow			Max. Flow		
	GPM	ΔP (ft)	GPM	ΔP (ft)	GPM	ΔP (ft)	ΔT	GPM	ΔP (ft)	ΔT
989B	84	5.6	56	2.5	42	1.5	40	132	14.0	13
1259B	107	10.0	71	4.5	53	2.6	40	132	15.5	16
1529B	130	16.0	86	7.1	65	4.1	40	132	16.5	20
1799B	N/A	N/A	102	10.8	76	6.0	40	132	18.0	23
1999B	N/A	N/A	113	14.0	85	8.1	40	132	19.5	26
2069B	N/A	N/A	117	15.0	88	8.7	40	132	19.5	27
2339B	N/A	N/A	132	21.0	99	12.0	40	132	21.0	30

Basis is 40°F ΔT for minimum flow, 132 GPM for maximum flow.

SPECIFICATIONS

Model	MBTUH		Firing Stages	A Width	H NPT	K	W	Amp. Draw*	Approx. Shipping Wt. (Lbs.)
	Input	Output							
989B	990	832	2	57-1/8	2-1/2	10	16-13/16	< 12	900
1259B	1260	1058	3	68-1/2	2-1/2	12	20-9/16	< 12	1010
1529B	1530	1285	4	79-7/8	2-1/2	12	24-3/8	< 12	1225
1799B	1800	1512	4	91-1/8	2-1/2	14	28-1/8	< 12	1350
1999B**	1999	1679	4	102-1/2	2-1/2	14	31-15/16	< 12	1450
2069B	2070	1739	4	102-1/2	2-1/2	14	31-15/16	< 12	1450
2339B	2340	1966	4	113-7/8	2-1/2	16	35-11/16	< 12	1520

* Pump not included

** Natural Gas Only

Dimensions are in inches.

Rates shown are for natural or propane gas, and elevations up to 4,500 feet. For installation above 4,500 feet, please contact manufacturer.

Recommended natural gas supply pressure is 7 – 10.5" WC. Recommended propane gas supply pressure is 11 – 13" WC.

Raypak, Inc. ■ 2151 Eastman Avenue, Oxnard, CA 93030 ■ (805) 278-5300 ■ Fax (800) 872-9725 ■ www.raypak.com