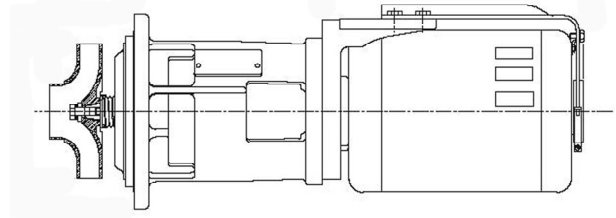


Job: _____
 Engineer: _____
 Contractor: _____
 Prepared By: _____ Date: _____
 Model: _____ Indoor/Outdoor: _____

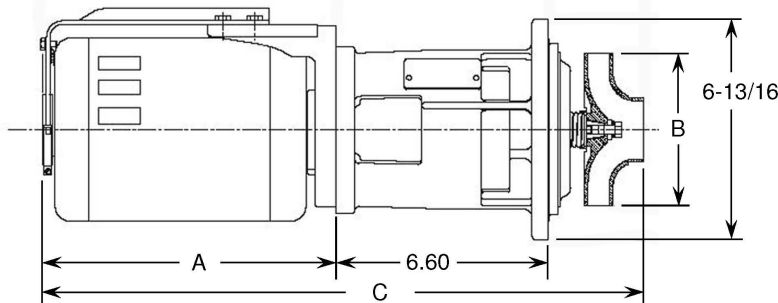
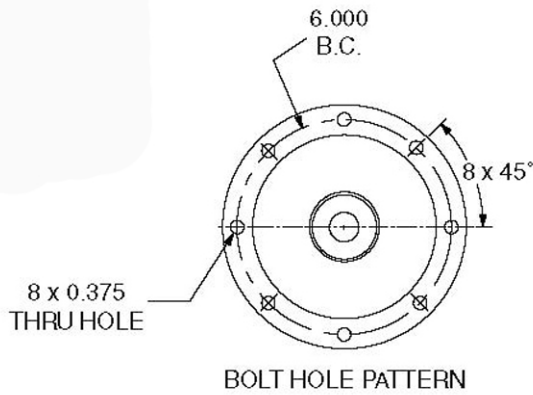
Raypak Header Mounted Pumps

Boilers, Water Heaters & Pool Heaters
 Raytherm™ & Hi Delta™

- One Piece Low Lead Cast Bronze Impeller
- Cast Iron Pump Body
- 100% Factory Tested
- 5/8" Steel Alloy Shaft
- Ceramic Mechanical Seal
- Permanently Lubricated Ball Bearings
- Resilient Mount Motor
- 175 PSI Max Pressure Rating
- 250°F Maximum Temperature Rating



 Proudly Assembled in the USA



Part Number	HP	Speed RPM	Volts	Hz	Ph	Service Factor	Ambient Temp.	A	B	C	Amps
004844F	1/2	1725	115	60	1	1.00	60°C/140°F	8.92	4.25	18.45	7.9
004845F	1/2	1725	115	60	1	1.25	60°C/140°F	9.67	4.70	19.20	7.3
009296F	1/2	1725	115	60	1	1.00	60°C/140°F	8.92	4.00	18.45	7.9



Raypak Header

Mounted Pumps

Part Number _____

Raytherm Configuration		
Model	004844F	004845F
514	<input type="checkbox"/>	<input type="checkbox"/>
624	<input type="checkbox"/>	<input type="checkbox"/>
724	<input type="checkbox"/>	<input type="checkbox"/>
824	<input type="checkbox"/>	<input type="checkbox"/>
926/962	<input type="checkbox"/>	<input type="checkbox"/>
1083/1125	<input type="checkbox"/>	<input type="checkbox"/>
1287/1336	<input type="checkbox"/>	<input type="checkbox"/>
1414/1468	<input type="checkbox"/>	<input type="checkbox"/>
1571/1631	<input type="checkbox"/>	<input type="checkbox"/>
1758/1826	<input type="checkbox"/>	<input type="checkbox"/>

Hi Delta Configuration			
Model	004844F	004845F	009296F
302	N/A	<input type="checkbox"/>	N/A
402	N/A	<input type="checkbox"/>	N/A
502	N/A	<input type="checkbox"/>	<input type="checkbox"/>
652	N/A	<input type="checkbox"/>	<input type="checkbox"/>
752	<input type="checkbox"/>	N/A	N/A
902	N/A	<input type="checkbox"/>	<input type="checkbox"/>
992	<input type="checkbox"/>	N/A	<input type="checkbox"/>
1262	N/A	N/A	<input type="checkbox"/>
1532	N/A	<input type="checkbox"/>	N/A

Pump selection is based on a maximum 75 equivalent feet of tubing equal to the connection size of the appliance. Refer to the product I&O manual for allowable water hardness when used on Domestic Hot Water systems.