

ASC

AS CONTROLS



Reliability for the most demanding applications



UK & Ireland representatives for:



Our History

2013



A S Joysticks Ltd was founded by Ashley Seaton and appointed as the sole UK & Ireland representative for Spohn & Burkhardt, a leading supplier of joystick controls, operator control stations and resistance banks.

2014



A sales and technical team was established to offer better support to our customer base.

2015



To assist our customers further in critical situations, a survey and repair service was created.

2016



In addition to the existing product offering, A S Joysticks became the sole UK & Ireland representative for Koduct, a leading manufacturer of Cable chain systems.

2017



Following a period of rapid progression, along with a desire to improve our delivery times through stockholding, A S Joysticks moved to a new facility in Frognall, Peterborough.

2019



To further compliment our range of products, A S Joysticks were appointed as the sole UK & Ireland representative for EFD, a leading manufacturer of industrial safety switches under the Sitec brand.

2020



In order to better reflect the company's product offering, A S Joysticks Ltd rebranded to AS Controls Ltd.

2021



As we continued to grow, we moved again, this time to Market Deeping. Here we've been able to further expand, notably our cable chain stock which is now thousands of metres.

2022



We launched the AS Controls road show in order to allow our customers domestically and internationally to experience our products first hand.

2023



In a bid to improve our service further we have become a complete control solutions provider. From joysticks to fully kitted cabins, we can supply products plug and play.

| | |
|----------------------------------|----|
| Complete Control Solutions | 4 |
| Control Stations | 5 |
| Joysticks | 8 |
| Rotary Switches | 15 |
| Handles | 16 |
| Cable Chains | 22 |
| Cabins | 31 |
| Portable Chest Packs | 32 |
| On Deck Control Stations | 33 |
| Foot Pedals | 34 |
| Resistors | 36 |
| Safety Switches | 38 |
| Safety Components | 41 |
| In-house Shows | 42 |

Find us on



Download
PDF brochure



For everything from joysticks to cabins we have the expertise to provide a complete solution to the highest standards and specification. Rest assured that your end product will deliver the performance you expect and thanks to being plug and play, installation is simplified too.

Control Stations

We have control stations to suit all applications such as the FS-N that is compact to fit in the narrowest cabins and also the SV1C which is robust and made to withstand the vibrations and pressures of the steel industry.



Joysticks

With a large selection to choose from we'll have the right one for you. Whatever the output or configuration, from Digital to Profibus we have it. A wide range of ergonomic handles can then be tailored to suit your needs with buttons, triggers, rocker switches and more.

Go to Page 8 to see our range.



Cabins

Our high-tech cabins can be developed and manufactured according to your exact specifications and to a standard you can rely on. Optional extras including air-conditioning, heating, lighting, window wipers and more allow you to ensure your user needs are always met.

Go to Page 31 for more information.



FSMMD

The next generation of control consoles.

- Full motorised adjustability.
- Memory function for up to 30 users with pin lock.
- Premium Ergonomics built for long shifts and fatigue free use.
- Ergonomic benefits backed by occupational health study.
- Generous side consoles allow for any joysticks, buttons and other customisation.
- Padded Adjustable Armrests.
- Consoles with built in HMI optional.
- Optional wiring to terminal rails.
- Wide variety of applications.
- Wide variety of standard features and options.
- Fully customisable to your requirements.



Modern and Sleek

- Anthracite Grey plastics combined with company colours and brushed metal details give it a professional finish.

Standing operation mode possible

- Allow for users to operate in a stood-up position with one press of a button. This can reduce back pain and RSI issues whilst boosting productivity, focus and also visibility.
- Perfect for industries with multiple operators.

Full Adjustability

- Side panel slide and tilt.
- Seat slide, tilt and height.
- Footrest tilt and height.
- Headrest and back rest adjustments.



SVIC

The best choice if your application requires a large amount of control devices.

- Controls ranging from the simple to the complex.
- PLC can be integrated.
- High flexibility and level of combination.
- Wide variety of applications.
- Robust, sturdy configuration.
- Excellently suited to mounting electronic input devices.
- All seat and suspension systems can be used.
- Optional wiring to terminal rails.
- Fully customisable to your requirements.



FS-N

A robust, compact design that's sleek with a modern finish.

- Robust, full metal consoles.
- Consoles tilt and pivot to suit user.
- Maximum user visibility.
- Narrow or Wide Side consoles optional.
- HMI Mount Support.
- Optional wiring to terminal rails.
- Wide variety of applications.
- Wide variety of standard features and options.
- Fully customisable to your requirements.



MFK

A Simple yet versatile solution for small cabins.

- Slim design perfect for small cabins.
- Lightweight.
- Console and armrest user adjustments to suit.
- Available with MFA or JB armrests.
- Optional wiring to terminal rails.
- Wide variety of applications.
- Wide variety of standard features and options.
- Fully customisable to your requirements.



MFA

A compact, ergonomic control solution.

- Slim design perfect for small cabins and machinery.
- Ergonomically curved shape.
- Gel cushion for comfort and wrist support.
- Robust plastic outer with full metal carrier frame.
- Use individually or as a set.
- Massive range of applications.
- Wide variety of standard features and options.
- Fully customisable to your requirements.
- Easily wired up to existing electrics.

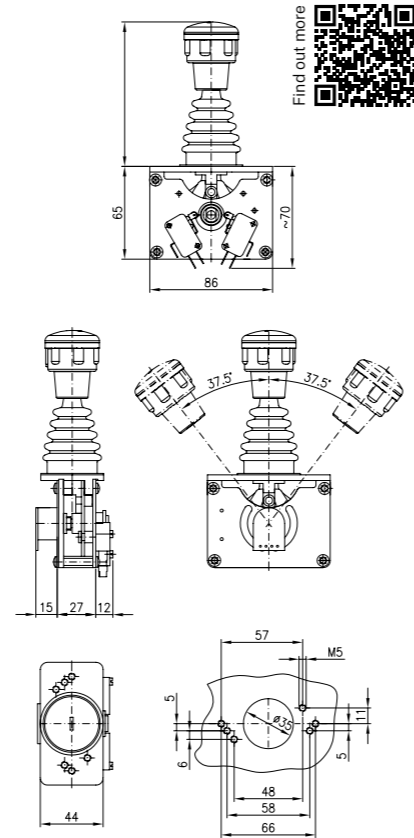


ST0

Solid.

- Compact, narrow, 1-axis joystick.
- Spring return or friction held.
- With or without mechanical interlock.
- With or without contacts and/or a variety of analog output options.
- Optional EX components.

| | | | | | |
|----------------|--------|---------------------|----------------|-------|--------------|
| | 20° | 37,5° | IP 54 IP 00 | | |
| | | | -20°C +60°C | 6 mio | 30 V= 8 A |
| 230 V~ 16 A | max. 4 | Poti Enc Hall | BUS | | EX |

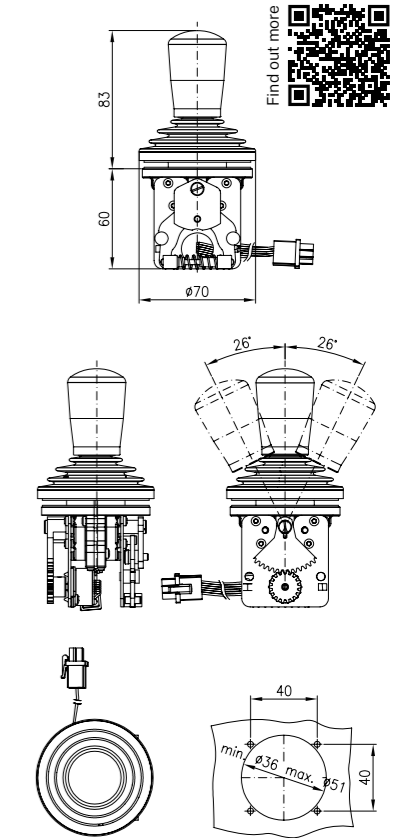


ST4

The weather-proof 1-axis joystick.

- 1 axis joystick.
- With or without contacts and/or a variety of analog output options.
- Spring return or friction held.
- With or without mechanical interlock.
- IP67 rating and waterproof even when boot is split.

| | | | | | |
|--|----------------|----------------|------|--|--|
| | 26° | IP 67 IP 00 | | | |
| | -40°C +60°C | 6 mio | Poti | | |

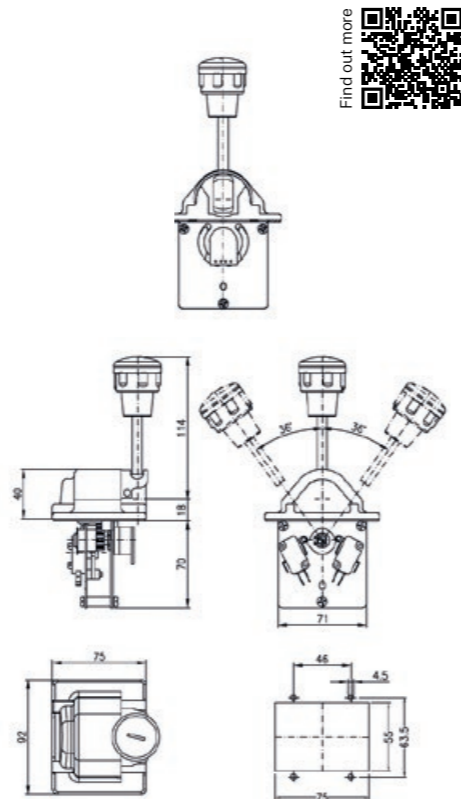


ST1

Developed for extreme environmental requirements.

- 1 axis joystick.
- Chrome-plated powder coated aluminium housing.
- Spring return or friction held.
- With or without mechanical interlock.
- With or without contacts and/or a variety of analog output options.
- Optional EX components.

| | | | | | |
|--|----------------|-------|----------------|--------|---------------------|
| | 20° | 36° | IP 56 IP 00 | | |
| | -40°C +60°C | 2 mio | 30 V= 8 A | max. 4 | Poti Enc Hall |
| | EX | | | | |

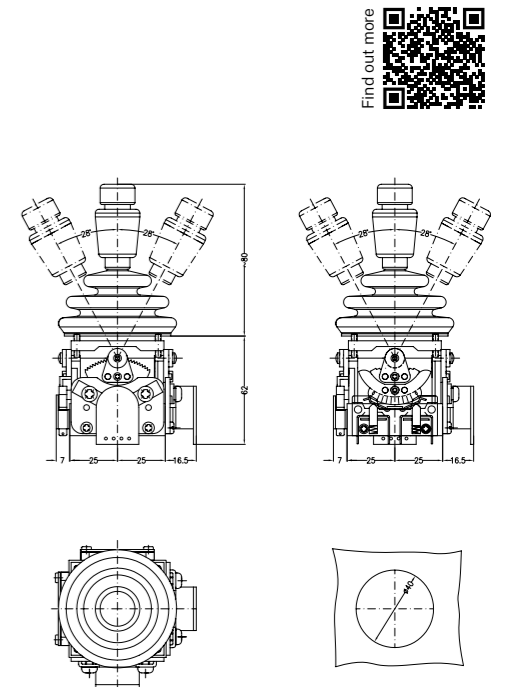


M0

Small, durable and reliable.

- 1 or 2 axis control.
- Compact joystick.
- With or without contacts and/or a variety of analog output options.
- With or without pushbutton.
- Spring return or friction held.
- 50mm or 60mm rubber boot available.

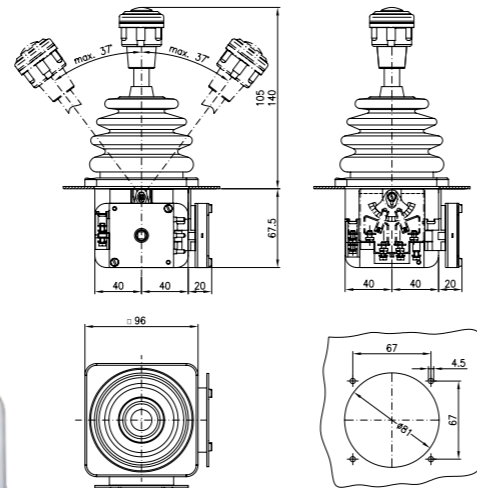
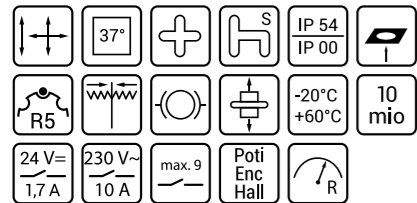
| | | | | | |
|---------------|--------|----------------|-------|----------------|--|
| | 28° | | | IP 54 IP 00 | |
| | | -20°C +60°C | 5 mio | 48 V~ 2 A | |
| 30 V= 4 mA | max. 8 | Poti Hall | | | |



VCS0

Our classic joystick.

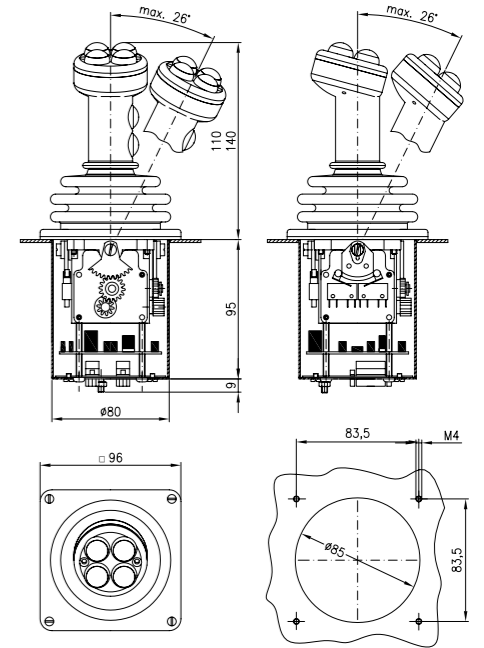
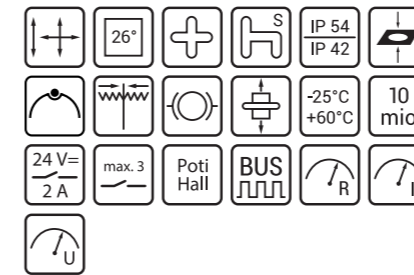
- 1, 2 or 3 axis control.
- Wide variety of handle options available.
- With or without contacts and/or a variety of analog output options.
- Spring return or friction held.
- 72mm (square) or 96mm (square) mounting plate available.



CS1

Compact joystick with optional bus connection.

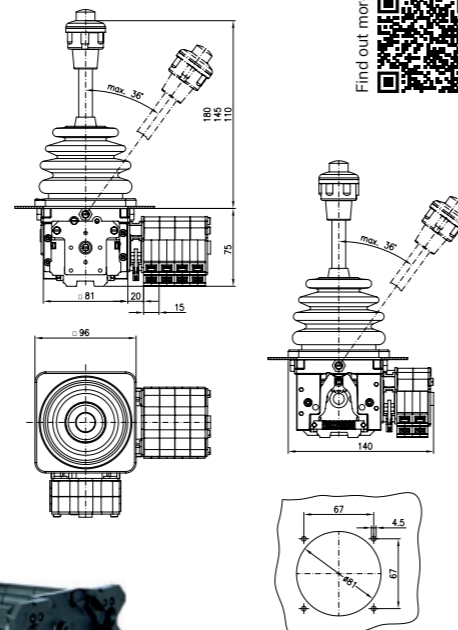
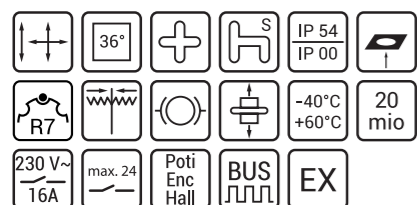
- 1, 2 or 3 axis control.
- Wide variety of handle options available.
- With or without contacts and/or a variety of analog output options.
- Spring return or friction held.
- Compatible with bus output.



VNS0

The heavy duty specialist.

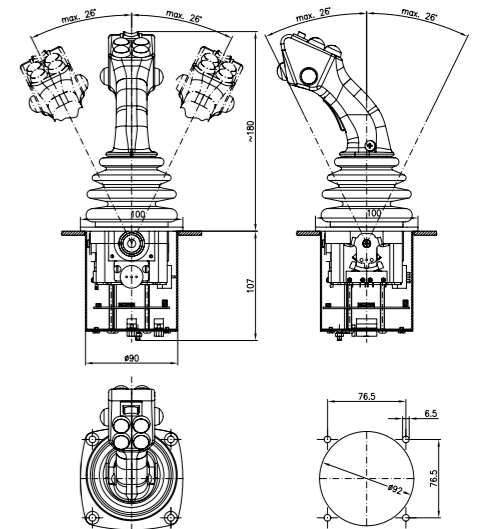
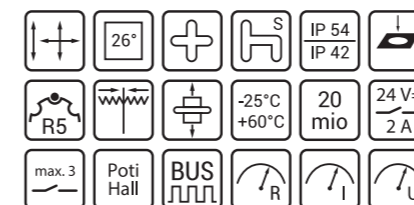
- 1, 2 or 3 axis control.
- Wide variety of handle options available.
- With or without contacts and/or a variety of analog output options.
- Spring return or friction held.
- Optional EX components.
- Available with 8mm or 12mm (NNS0) operating shaft.



NS3

Our bus professional.

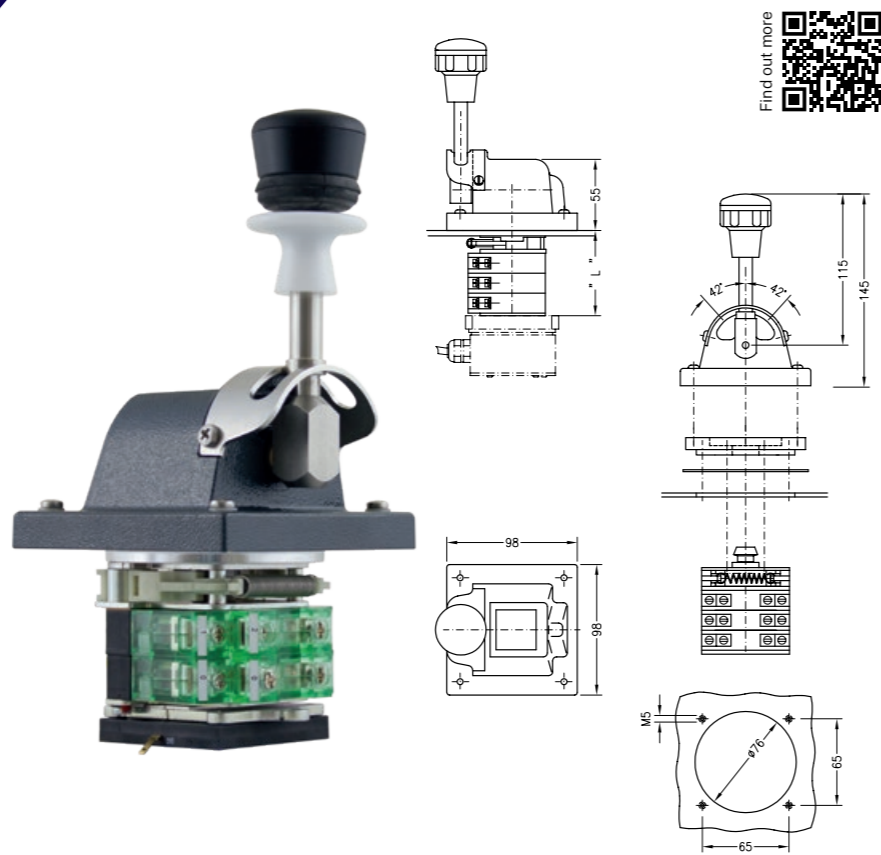
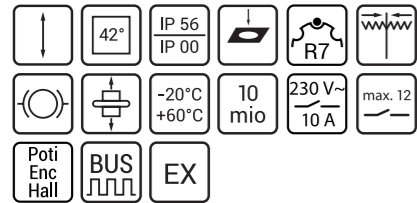
- 1, 2 or 3 axis control.
- Wide variety of handle options available.
- With or without contacts and/or a variety of analog output options.
- Spring return or friction held.
- Robust design with 12mm diameter operating shaft.



NS0-SFA

Developed for extreme environmental requirements.

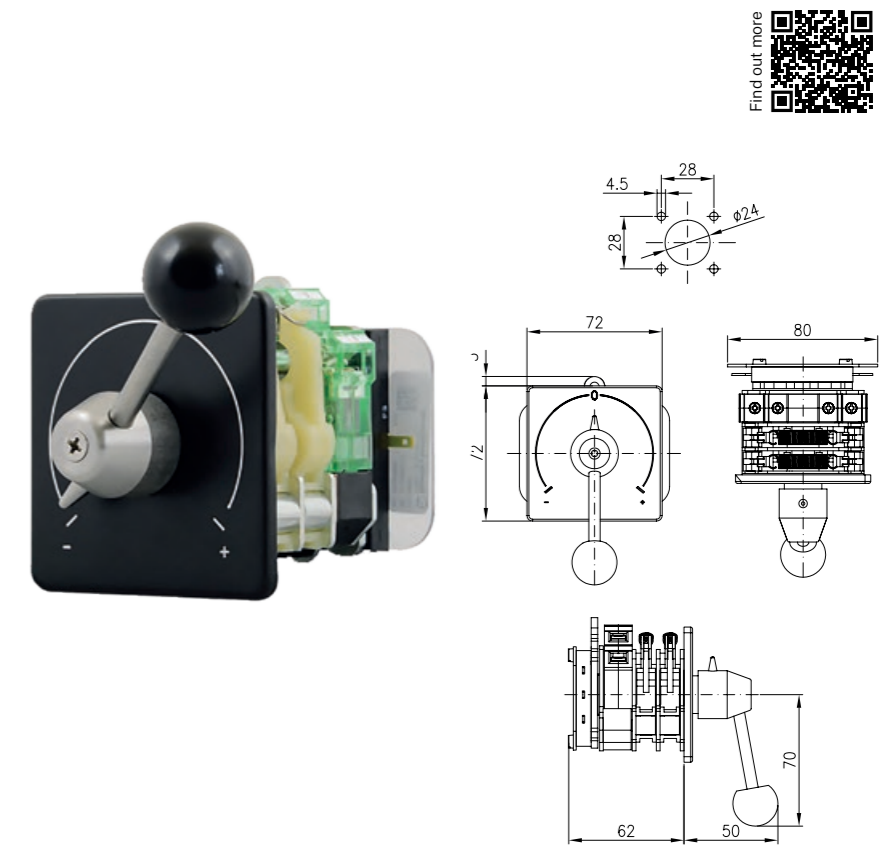
- 1 axis joystick.
- Powder coated aluminium housing.
- With or without contacts and/or a variety of analog output options.
- Optional EX components.
- With or without mechanical interlock.
- Spring return or friction held.



NS00, NS20

Heavy duty rotary controller.

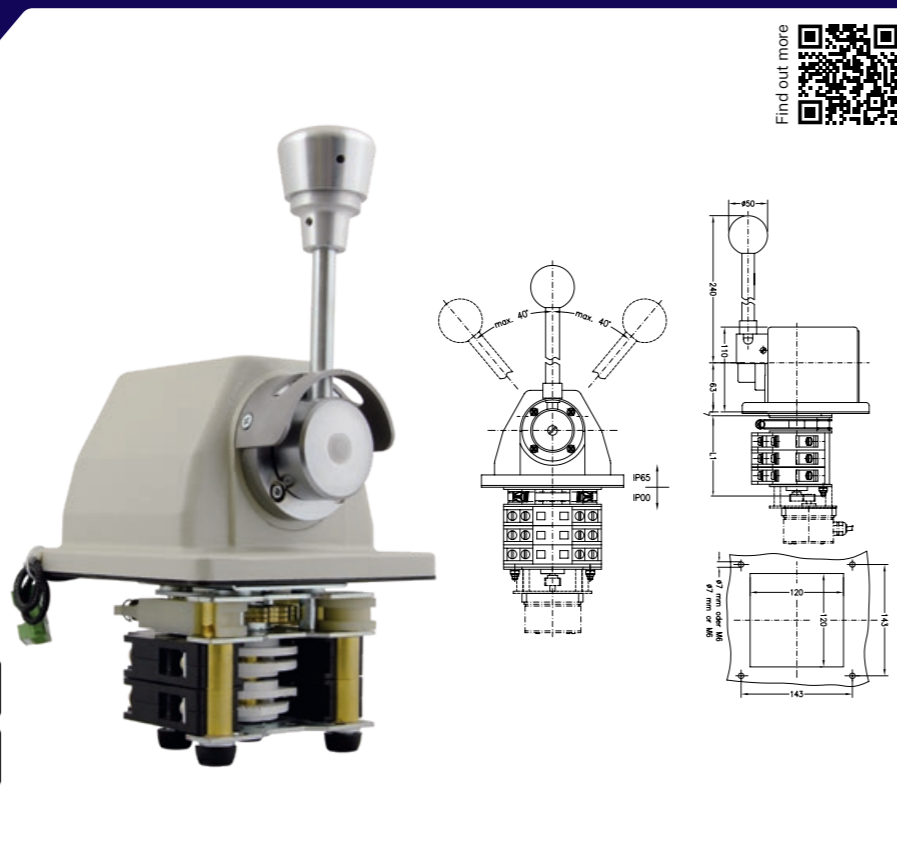
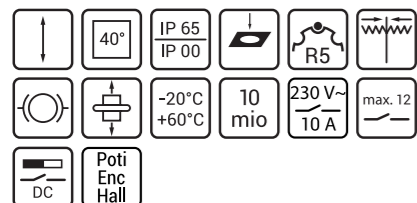
- Optional IP56 rating.
- With or without contacts and/or a variety of analog output options.
- Spring return or friction held.
- Optional EX components.
- Optional contacts for up to 600VDC.
- Optional dial handle.
- Optional motorcycle style twist grip using G40 handle.



NS2-KA

Developed for high DC loads in extreme conditions.

- 1 axis joystick.
- Aluminium alloy housing.
- Available with aluminium or V2A handle.
- With or without contacts and/or a variety of analog output options.
- Optional EX components.
- With or without mechanical interlock.

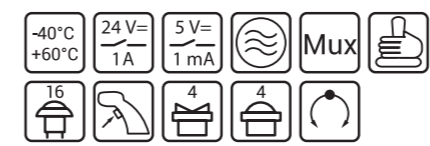
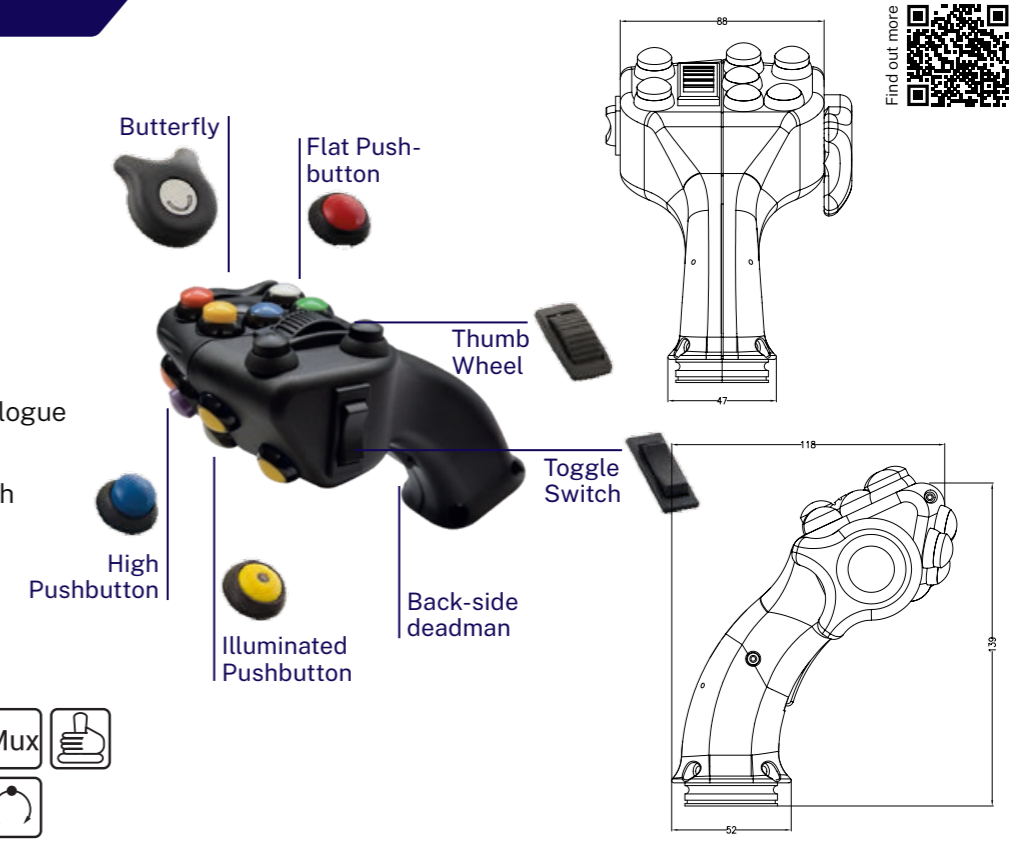




UGA

Universal.

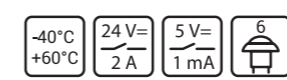
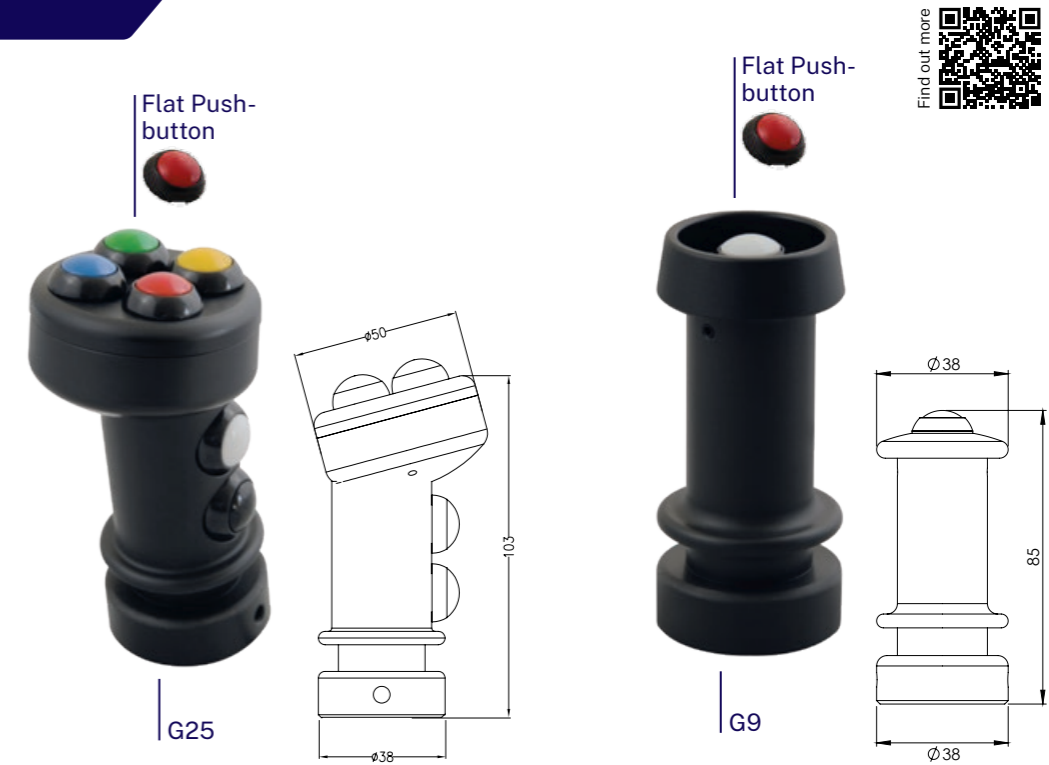
- Options:
- Pushbuttons.
 - Rocker switches.
 - Hand rest.
 - Capacitive sensor.
 - Trigger switch.
 - Thumbwheel with analogue output.
 - Twistable function with analogue output.
 - Mini Joystick.
 - Rotary Module.



G25, G9

Functional.

- Options:
- Pushbuttons.



G56

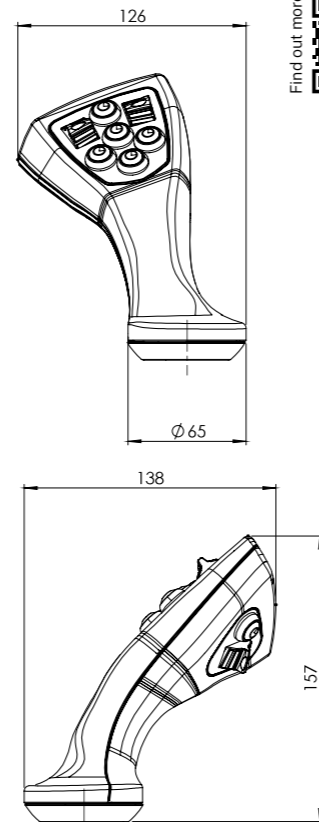
Optimum Ergonomics.

Perfectly suited for heavy, long-shift use.

Options:

- Pushbuttons.
- Rocker switches.
- Hand rest.
- Capacitive sensor.
- Trigger switch.
- Mini Joystick.
- Rotary Module.

Integrated hand rest and ergonomic shape



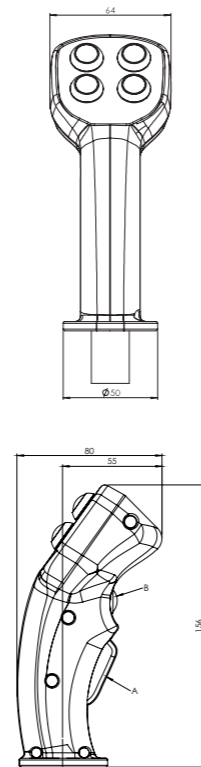
| | | | | | |
|----------------|-------------|--------------|--|-----|--|
| -40°C +60°C | 24 V= 1A | 5 V= 1 mA | | Mux | |
| | | | | | |

G58

Fighter grip.

Options:

- Pushbuttons.
- Rocker switches.
- Trigger switch.
- Capacitive Sensor.
- Mini Joystick.
- Rotary Module.

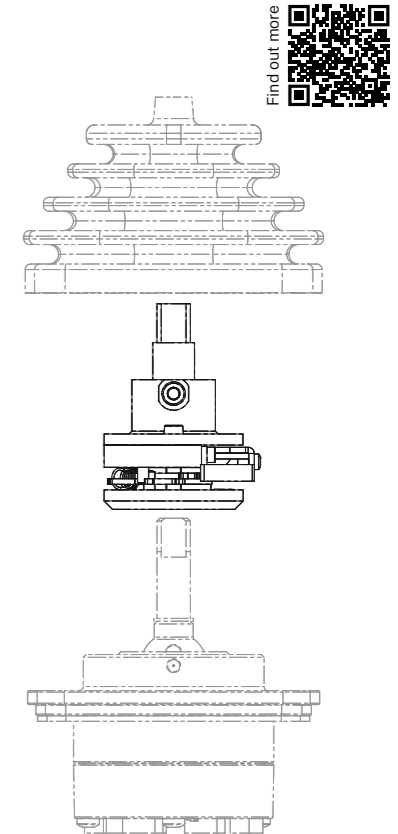


| | | | | | |
|-------|----------------|--------------|--------------|--|--|
| IP 65 | -25°C +55°C | 24 V= 2 A | 5 V= 1 mA | | |
| | | | | | |

Rotary Module

Take the control of your joystick to the next level and give it a 3rd axis.

- Left and right rotation up to 25°.
- Spring return.
- Great for use in cranes, heavy machinery, construction, agriculture, forestry and more.
- Compatible with UGA, G56, G58 and G50.

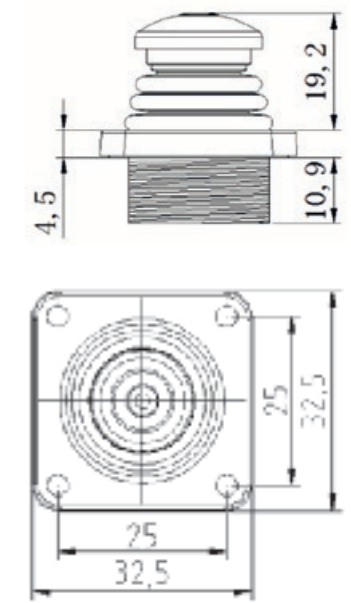


| | | | | | |
|-------|--|----------------|--------|-------|------|
| IP 67 | | -40°C +70°C | 10 mio | 5 VDC | Hall |
| | | | | | |

Mini-joystick

An extremely compact 2-axis controller that allows for an extra degree of precision.

- Integrated seamlessly into joystick
- Easy to use thumb control
- High IP67 rating
- 5Million operating cycles



| | | | | | |
|-------|-------|------|-------|--|----------------|
| | 25° | | IP 67 | | -25°C +70°C |
| 5 mio | 5 VDC | Hall | | | |

Capacitive Sensor

For applications that require an extra degree of safety.

This gives the joystick the ability to engage and disengage when the user grips and releases.

- Can also come with timing relays and traffic light systems that give visual and audio alerts.
- Compatible with UGA, G56, G58, G1 and G2.



Joysticks & Handles Symbol Key

| | | | |
|--|---|--|-------------------------------|
| 1-axis | Installation from below | 5 VDC Supply voltage | Palm rest |
| 2-axis | Installation from above or below | Max. number of contacts each direction of movement | Max. number of push buttons |
| 1 or 2 axis | Number of notches | Potentiometer, encoder, Hall | Deadman/Trigger |
| Rotating Drive | Spring return | Bus system | Max number of rocker switches |
| Angle | Friction brake | Analog output, resistance | Max number of thumb wheels |
| Cross gate | Mechanical interlock | Analog output, current (mA) | Handle, twistable |
| Special gate | Surrounding temperature -20°C +60°C | Analog output, voltage (V) | Protected against explosion |
| Max. achievable protection category outside inside | 20 mio Switching cycles | Capacitive grip sensor | UL |
| Installation from above | Max. voltage/current 24V= 2A | Mux Multiplexer system | CSA |



Plastic Cover Type

- Engineered plastic with reinforced fibre and solid lubricants
- Lightweight and smooth movements
- Open and shut type for convenient installation.
- No maintenance required – Self lubricating.
- Low noise during high speeds.



KP20

Engineered plastic with Glass fibre
 Speed 3m/sec
 Temp. rating: -25 – 125°C
 Pitch: 20mm
 Polymer fixing brackets

| Width (mm) | Radius (mm) | Overall Height (mm) |
|------------|-------------|---------------------|
| 15 | 18 | 56 |
| 25 | 28 | 76 |
| 30 | 37 | 94 |
| 40 | 50 | 120 |

KP16

Engineered plastic with Glass fibre
 Speed 3m/sec
 Temp. rating: -25 – 125°C
 Pitch: 15.6mm
 Polymer fixing brackets

| Width (mm) | Radius (mm) | Overall Height (mm) |
|------------|-------------|---------------------|
| 10 | 10 | 49 |
| 10 | 28 | 69 |
| 10 | 38 | 89 |
| 15 | 18 | 50 |
| 25 | 28 | 70 |
| 40 | 50 | 114 |

KP32

Engineered plastic with Glass fibre
 Speed 3m/sec
 Temp. rating: -25 – 125°C
 Pitch: 32mm
 Polymer fixing brackets

| Width (mm) | Radius (mm) | Overall Height (mm) |
|------------|-------------|---------------------|
| 15 | 28 | 82 |
| 25 | 38 | 102 |
| 35 | 50 | 126 |
| 50 | 75 | 176 |
| 100 | 100 | 226 |

KP40

Engineered plastic with Glass fibre
 Speed 3m/sec
 Temp. rating: -25 – 125°C
 Pitch: 40mm
 Eng. Nylon and Steel fixing brackets available

| Width (mm) | Radius (mm) | Overall Height (mm) |
|------------|-------------|---------------------|
| 40 | 50 | 139 |
| 40 | 75 | 189 |
| 57 | 100 | 239 |
| 80 | 125 | 289 |
| 100 | 150 | 339 |
| 200 | 200 | 439 |

KP50

Engineered plastic with Glass fibre
 Speed 3m/sec
 Temp. rating: -25 – 125°C
 Pitch: 55.5mm
 Steel fixing brackets

| Width (mm) | Radius (mm) | Overall Height (mm) |
|------------|-------------|---------------------|
| 40 | 60 | 175 |
| 50 | 75 | 205 |
| 65 | 100 | 255 |
| 75 | 125 | 305 |
| 80 | 150 | 355 |
| 87 | 200 | 455 |
| 100 | 200 | 455 |

KP454

Engineered plastic with Glass fibre
 Speed 3m/sec
 Temp. rating: -25 – 125°C
 Pitch: 45.5mm
 Polymer fixing brackets

| Width (mm) | Radius (mm) | Overall Height (mm) |
|------------|-------------|---------------------|
| 40 | 48 | 137.5 |
| 40 | 70 | 181.5 |
| 57 | 90 | 221.5 |
| 80 | 120 | 281.5 |
| 100 | 145 | 331.5 |
| 195 | 195 | 431.5 |

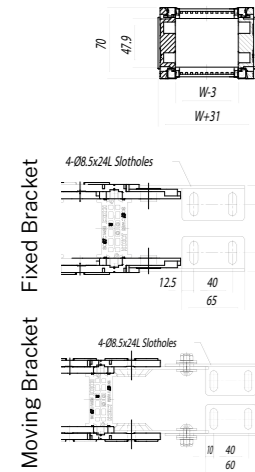
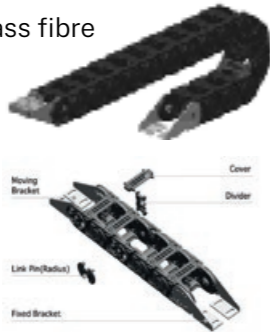
KSC588

Engineered plastic with Glass fibre
 Speed 3m/sec
 Temp. rating: -25 – 125°C
 Pitch: 58.8mm
 Steel fixing brackets

| Width (mm) | Radius (mm) | Overall Height (mm) |
|------------|-------------|---------------------|
| 50 | 68 | 192 |
| 65 | 80 | 216 |
| 75 | 100 | 256 |
| 80 | 125 | 306 |
| 87 | 150 | 356 |
| 100 | 200 | 456 |
| 187 | 200 | 456 |
| 200 | 200 | 456 |

KSC715

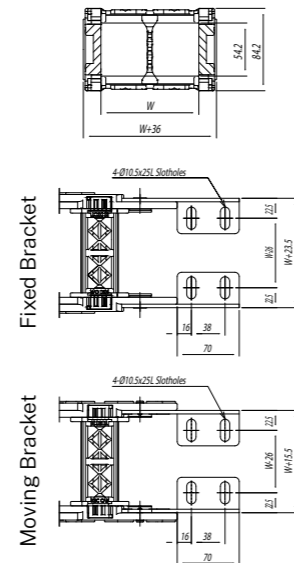
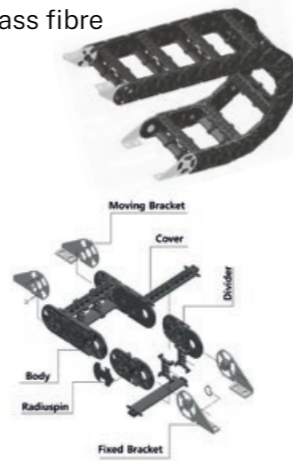
Engineered plastic with Glass fibre
 Speed 3m/sec
 Temp. rating: -25 – 125°C
 Pitch: 71.5mm
 Steel fixing brackets



| Width (mm) | Radius (mm) | Overall Height (mm) |
|------------|-------------|---------------------|
| 65 | | |
| 80 | 80 | 230 |
| 100 | 100 | 270 |
| 120 | | |
| 125 | 125 | 320 |
| 150 | 150 | 370 |
| 175 | | |
| 200 | 200 | 470 |
| 225 | | |
| 250 | 250 | 570 |

KSC91

Engineered plastic with Glass fibre
 Speed 3m/sec
 Temp. rating: -25 – 125°C
 Pitch: 91mm
 Steel fixing brackets



| Width (mm) | Radius (mm) | Overall Height (mm) |
|------------|-------------|---------------------|
| 100 | | |
| 150 | 150 | 384 |
| 200 | 200 | 484 |
| 250 | 250 | 584 |
| 300 | | |
| 350 | 300 | 684 |

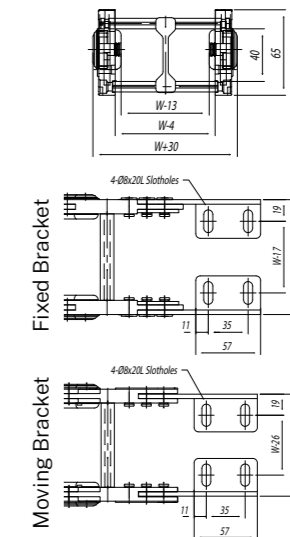
Aluminium Bar Type

- Engineered plastic with reinforced fibre and solid lubricants
- Lightweight and smooth movements
- Covers consist of aluminium bars to provide better solidity.
- United 3 layers solve a separation problem between links.



CDS070

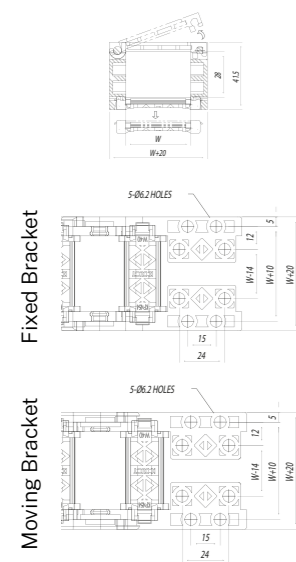
Engineered plastic with Glass fibre
 Speed 3m/sec
 Temp. rating: -25 – 125°C
 Pitch: 70mm
 Aluminium Cross Bars
 Steel fixing brackets



| Width (mm) | Radius (mm) | Overall Height (mm) |
|------------|-------------|---------------------|
| 80 | | |
| 100 | 75 | 215 |
| 120 | | |
| 150 | 100 | 265 |
| 200 | | |
| 250 | 130 | 325 |
| 300 | | |
| 350 | 180 | 425 |
| 400 | | |
| | 230 | 525 |

CDP100

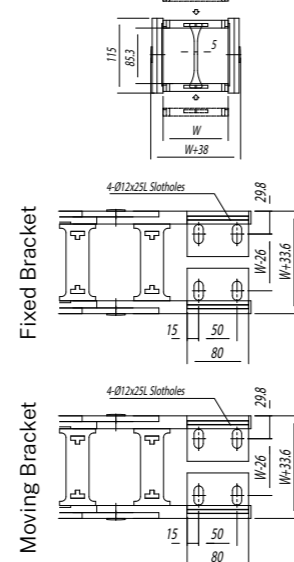
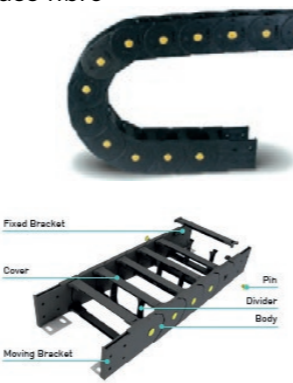
Engineered plastic with Glass fibre
 Speed 5m/sec
 Temp. rating: -25 – 125°C
 Pitch: 100mm
 Steel fixing brackets



| Width (mm) | Radius (mm) | Overall Height (mm) |
|------------|-------------|---------------------|
| 100 | 200 | 506 |
| 150 | 250 | 606 |
| 200 | | |
| 250 | 300 | 706 |
| 300 | 350 | 806 |
| 350 | 400 | 906 |
| 400 | 500 | 1106 |

KDP100

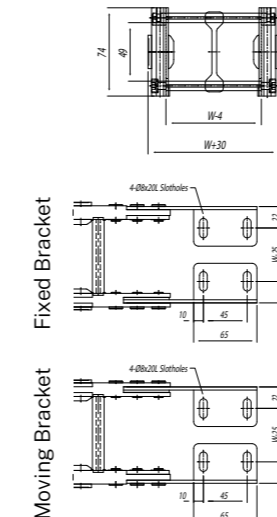
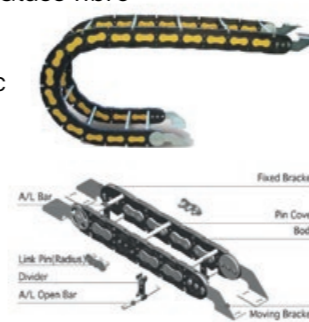
Engineered plastic with Glass fibre
 Speed 3m/sec
 Temp. rating: -25 – 125°C
 Pitch: 100mm
 Steel fixing brackets



| Width (mm) | Radius (mm) | Overall Height (mm) |
|------------|-------------|---------------------|
| 100 | 150 | 418 |
| 150 | 200 | 518 |
| 200 | 250 | 618 |
| 250 | 300 | 718 |
| 300 | 350 | 818 |
| 350 | 400 | 918 |
| 400 | 400 | 918 |

CDS080

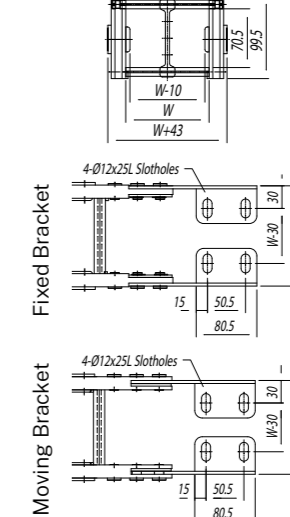
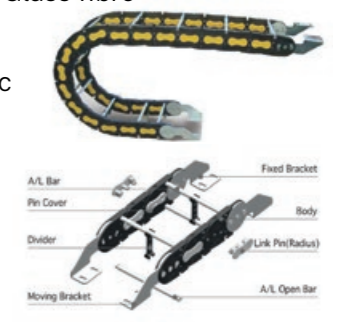
Engineered plastic with Glass fibre
 Speed 5m/sec
 Temp. rating: -25 – 125°C
 Pitch: 80mm
 Aluminium Cross Bars
 Steel fixing brackets



| Width (mm) | Radius (mm) | Overall Height (mm) |
|------------|-------------|---------------------|
| 80 | | |
| 100 | 150 | 380 |
| 120 | | |
| 150 | 200 | 480 |
| 200 | 250 | 580 |
| 250 | | |
| 300 | 280 | 640 |
| 350 | | |
| 400 | 400 | 880 |

CDS100

Engineered plastic with Glass fibre
 Speed 5m/sec
 Temp. rating: -25 – 125°C
 Pitch: 100mm
 Aluminium Cross Bars
 Steel fixing brackets



| Width (mm) | Radius (mm) | Overall Height (mm) |
|------------|-------------|---------------------|
| 100 | 200 | 504 |
| 150 | 250 | 604 |
| 200 | | |
| 250 | 300 | 704 |
| 300 | | |
| 350 | 350 | 804 |
| 400 | | |
| 500 | 400 | 904 |
| 600 | 500 | 1104 |

Steel Type

- Suitable for heavy industry environments.
- Crossbars fixed with heat treated bolts.
- Low noise during high speeds.
- Fixed or pivoting brackets to suit.
- Internal dividers available.

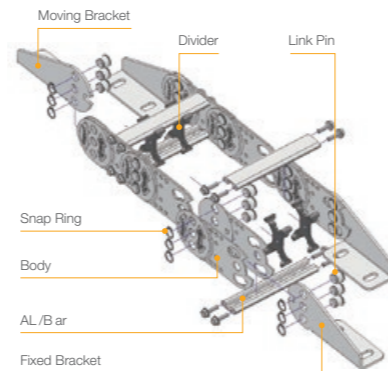
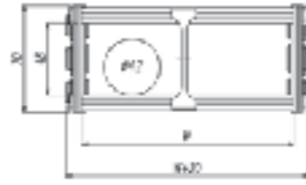
Steel 'S' Type

Durable aluminium bar
Speed 2m/sec
Temp. rating: -25 – 125°C

- Suited for heavy weighted internal loads.
- Available in stainless steel.
- Available with skates that increase potential length of travel and reduce wear and noise.
- Available fully enclosed.
- Various sizes available upon request.



Example dimensions



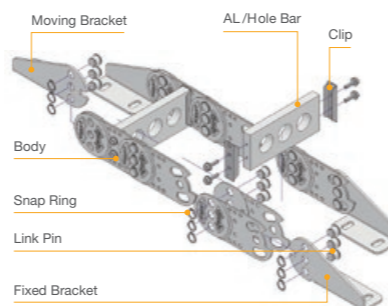
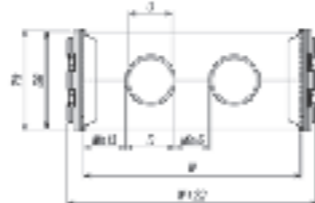
Steel 'H' Hole Type

Durable aluminium bar
Speed 2m/sec
Temp. rating: -25 – 125°C

- Bespoke hole bar for added cable security.
- Suited for heavy weighted internal loads.
- Available in stainless steel.
- Available with skates that increase potential length of travel and reduce wear and noise.
- Available fully enclosed.
- Various sizes available upon request.

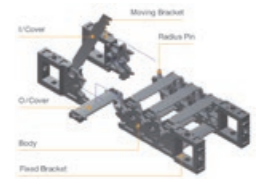


Example dimensions



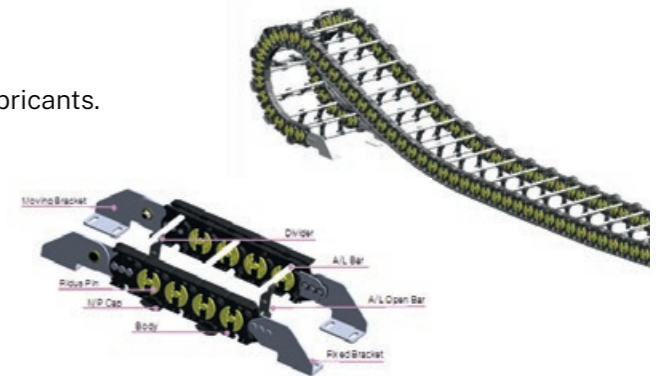
Eco -E Clean Room Type

- Engineered plastic with reinforced fibre and solid lubricants.
 - Lightweight and smooth movements.
 - No friction between parts - suitable for clean room environments.
 - Removable crossbars for convenient installations.
 - No maintenance required - self lubricating.
- Temp. rating: -25 – 125°C
Engineered nylon brackets.



Hybrid Type

- Long travel specialist.
 - Engineered plastic with reinforced fibre and solid lubricants.
 - Lightweight and smooth movements.
 - Aluminium cross bars for added strength.
 - No maintenance required - self lubricating.
- Speed 5m/sec
Temp. rating: -25 – 125°C
Steel brackets.



WFD / CalmlyFlex

Cable management the offers improved protection and flexibility.

- Galvanised and Stainless Steel for superior strength and flexibility.
 - Fully enclosed offering brilliant cable protection.
 - Options to mount flat or horizontally easily.
- Speed 5m/sec
Temp. rating: -25 – 125°C
Engineered nylon or steel brackets.



Tubing

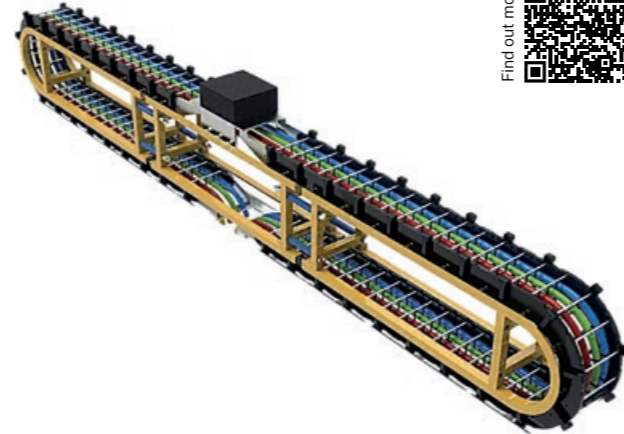
- Polyamide 6 or Polypropylene used for maximum protection.
 - Excellent flexibility and restoring force.
 - Easy to cut and adjust length.
- High IP67 rating.
Temp. rating: -50 – 160°C



Cable Track

Innovative cable management technology

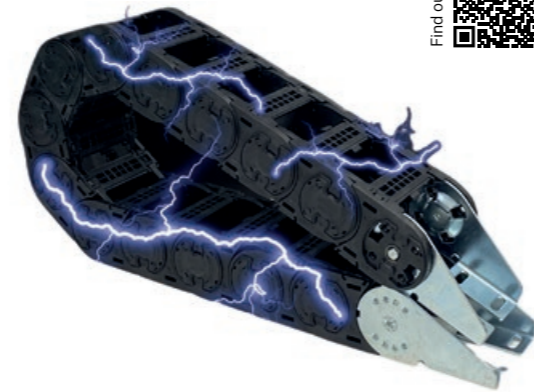
- Tension springs and robust design reduce vibration and noise.
- Bolted Aluminium Crossbars give optimal support.
- Roller bearings reduce chain friction and minimise maintenance.
- Internal frame eliminates sagging and wearing down of chain.



Anti-Static

Newly developed chain engineered to withstand the highest demands

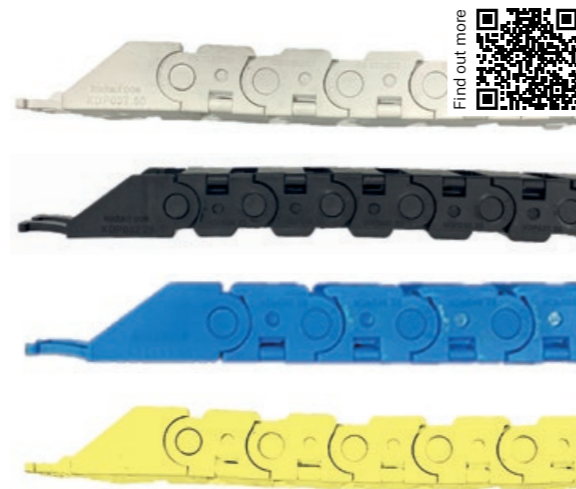
- ATEX rating ensures the chain is explosion proof.
- Prevent sparks and explosions thanks to its ESD standards.



Chain Colour

Customise the colour of your chain to suit your needs – we can match it to any RAL code

- Ensure your chain is visible with bright, bold Yellows, white or blues.
- Give your products the edge with company colour cable chain.
- Meet regulations with industry specific colour such as FDA blue and medical white.



Innovative Cabins built to the Highest Standards

Market leading solutions. Innovative designs for high-tech cabins for use over a massive range of industries and applications. With the highest quality standards and a great willingness to innovate, they are developed and manufactured according to your exact specifications.

Whether cranes, heavy machinery or quarry operations: these cabins deliver all over the world, when the highest demands on material and technology are required.

All cabins meet the high standards which include DIN EN ISO9001-2015, DIN EN ISO3834-2, EN1090-2, EN1090-3 (EXC1 to EXC 3), DIN EN15085-2 (certification CL1, Welding Quality Class C2, Test Class CT3)



Complete your cabin with any of our control solutions



T-022

Rugged, compact design.

- Fibreglass reinforced plastic housing:
 - Temperature-resistant and waterproof.
 - Oil- and fuel resistant.
- Equipped per customer requirements.
- Heavy duty gasket seal between top and bottom enclosure sections.
- Stainless steel flaps.
- With/without breast plate (black).
- With shoulder traps.
- With/without stainless steel foot rack.
- Also available in anti-static black.



Dimensions
 External: 285(l) x 195(w) x 120(d)
 Internal: 253(l) x 157(w) x 113(d)



TB-56

Robust and more customisable.

- Fibreglass reinforced plastic housing:
 - Temperature-resistant and waterproof.
 - Oil- and fuel resistant.
- Equipped per customer requirements.
- Heavy duty gasket seal between top and bottom enclosure sections.
- Stainless steel flaps.
- With/without breast plate (black).
- With shoulder traps.
- With/without stainless steel foot rack.
- Also available in grey or anti-static black.



Dimensions
 External: 430(l) x 224(w) x 116(d)
 Internal: 400(l) x 196(w) x 109(d)



T-011

Durable and easy to handle.

- Fibreglass reinforced plastic housing:
 - Temperature-resistant and waterproof.
 - Oil- and fuel resistant.
- Equipped per customer requirements.
- Carry handle and shoulder straps.
- Rotating cable entry.
- Heavy duty gasket seal between top and bottom enclosure sections.



Dimensions
 External: 390(l) x 162(w) x 86(d)
 Internal: 315(l) x 125(w) x 75(d)



Ods

Reliable performance in the toughest environments.

- Durable, compact design for harsh conditions, even at the lowest and/or highest temperatures.
- High protection rating, also available in EExd version.
- Individually configurable according to customer wishes.
- Housing sizes and shapes are also freely selectable for special stainless steel productions.



Switch lever

- Switch lever on one or both sides for winch control.

Display

- Individually configurable displays according to customer wishes, e.g. pressure, load, or warning displays.



Housing

- Housing made of steel or stainless steel.
- Wet painting (up to 7-layer coating) or powder coating available according to customer specifications.
- Condensation-free with heating system.

Optionally with:

- CAN, CANopen
- PROFIBUS, PROFINET, PROFIsafe

Load selector switch

- For setpoint specification of tensile force.

Controller pillars

- Available with and without standard round flange pillars for space-saving designs.

Od2

Reliable performance in the toughest environments.

- Durable, compact design for harsh conditions, even at the lowest and/or highest temperatures.
- High protection rating, also available in EExd version.
- Individually configurable according to customer wishes.
- Housing sizes and shapes are also freely selectable for special stainless steel productions.



Display

- Individually configurable displays according to customer wishes, e.g. pressure, load, or warning displays.

Switch lever

- Switch lever on one or both sides for winch control.



Housing

- Housing made of salt-waterproof cast aluminium alloy.
- Wet painting (up to 7-layer coating) or powder coating available according to customer specifications.
- Condensation-free with heating system.

Optionally with:

- CAN, CANopen
- PROFIBUS, PROFINET, PROFIsafe

Load selector switch

- For setpoint specification of tensile force.

Controller pillars

- Available with and without standard round flange pillars for space-saving designs.

SF

- One or two step output with reset.
- Powder-coated aluminium housing.
- Protection rating IP42 or IP56.
- Actuator with deep ribbing.
- Sturdy flange plate.
- Options: Metal cable screw connection.
- Use in industrial applications.



FPS, FPW

- Maximum 4-step output or analog with reset.
- Powder-coated aluminium housing.
- Protection rating IP42.
- Large, ergonomically ribbed aluminium step plate with heel edge for foot positioning.
- Simple, stable mounting.
- Options: Metal cable screw connection.
- Specially designed for use in harsh industrial applications.



Wire Wound

Proven versatile technology, optimised for small to medium power requirements.

- Individually replaceable resistor connecting posts.
- Maximum resistance value flexibility.
- Any number of taps.
- High resistance valves are available for low current applications.
- Surge-proof - High overload capacity.



Roof vents

- Suitable for outdoor use

Wire connecting posts

- Extra insulation included
- Individually replaceable
- Mounted in a sturdy frame for protection against vibration

Cabinet

- Made of high-quality stainless steel
- Additional ventilation slots if required
- Removable cover for easy access
- Simple cable entry and routing

Options:

- Thermal switch
- Overload contact
- Internal/external cooling fans

Customer connections

- Easy access design
- Retrofits easily to other manufacturer's units
- Allows for flexible relocation

Mounting

- Floor or wall mounting per customer requirements



Cast Iron

For your low maintenance, high load application, optimised for very high loads.

- Individually mounted resistor sections for ease of replacement.
- Surge-proof – high overload capacity.
- Large mass provides high overload capacity.

Roof vents

- Large roof ventilation slots which promotes excellent air flow.
- Suitable for outdoor use.

Cast iron resistor unit

- High-quality cast iron elements
- Individually replaceable



Lifting eyelets

- Sturdy eyelet rings for easy transport and quick installation.

Mounting

- Floor or wall mounting per customer requirements.

Options:

- Thermal switch
- Internal/external cooling fans

Mounting Rails

- For easy conductor mounting and removal.

Connections

- Easy access design
- Retrofits easily to other manufacturer's units
- Allows for flexible relocation



Steel Grid

Compact and rugged design, optimized for medium to high power requirements.

- Individually mounted resistor sections and grids for ease of replacement.
- Low inductance.
- High quality stainless steel alloy resistor grids.
- Capable of withstanding extreme temperatures, with a melting point well over 1000 °C.
- Surge-proof - high overload capacity.



Roof vents

- Large roof ventilation slots which promotes excellent air flow and optimal cooling.
- Suitable for outdoor use.

Steel grid resistor unit

- Steel grids made from high quality stainless steel alloy 1.4841 | 1.4541
- Individually mounted resistor sections & grids for ease of replacement.

Lifting eyelets

- Sturdy eyelet rings for easy transport and quick installation.

Mounting

- Floor or wall mounting per customer requirements.

Resistor frames

- Resistor sections are mounted in individual frames for easy removal.
- Patented Spohn + Burkhardt anti-vibration clamping fixture.

Options:

- Thermal switch
- Internal/external cooling fans



Service Switches

Cam switches in various designs categorised by switching capacity.

Reliable switches capable of withstanding high loads and that ensure maximum safety by means of a solid spherical knob, strong blow-out magnets and large contact opening paths. Optionally available with robust metal closing devices such that it is possible to attach a padlock.

| | | | | | |
|---------|----------------|----|----------------|----------------|-------|
| max. 24 | -40°C +60°C | R5 | 400 V~ 25 A | 400 V~ 63 A | 1 mio |
| | | | | | |
| | | | | | |

Find out more



Position Limit Switches

(PEA, PED)

Position limit switches for the electromechanical detection of end positions for work-pieces or parts of machines.

Longer lever service life is achieved and actuating forces are lower due to the roller. The switches comply with the standards and directives and meet DIN EN 60947-5-1.

| | | | | | |
|----------------|-------|--------|----|---------|----|
| AL | BMC | max. 4 | | | |
| -40°C +70°C | IP 67 | 20 mio | EX | bis PLe | UL |
| CE | EAC | AC 15 | | | |

Find out more



Position Misalignment Switches

(PSA, PSD)

Position switches in robust design for monitoring the misalignment of conveyor belts.

Depending on the deflection, a pre-warning is signalled or a shut-down triggered. All position switches for misalignment comply with the standards and directives and meet DIN EN 60947-5-1.

| | | | | | |
|----------------|-------|---------|----|--------|----|
| AL | BMC | max. 4 | | | |
| -40°C +70°C | IP 67 | bis PLe | UL | 20 mio | EX |
| CE | EAC | AC 15 | | | |

Find out more



Pull Wire Emergency Stop Switches

(SNA, SND, SNSA)

Pull wire switches for providing emergency stop on conveyor belt systems.

Robust design for harsh operating conditions. Optionally available with comprehensive mounting accessories for the pull wire installation and cable entry. All pull wire emergency stop switches comply with the standards and directives and meet DIN EN ISO 13850 and DIN EN 60947-5-1 as well as DIN EN 60947-5-5.

| | | | | | |
|-------|----------------|-------|-------------|---------|-------|
| | AL | BMC | max. 3 | | |
| | -40°C +70°C | IP 67 | 2x 50m max. | bis PLe | UL |
| 1 mio | | EX | CE | EAC | AC 15 |
| DC 13 | max. 3 | | | | |

Find out more



High Temperature Switch

Engineered to withstand extreme temperatures from -50°C to +150°C.

Protection type - IP 67 (DIN EN 60529) DIN EN 60204-1, DIN EN ISO 13849-1, DIN EN 60947-5-1.

| | | | | | |
|----------------|-------|--------|----|---------|----|
| AL | BMC | max. 4 | | | |
| -40°C +70°C | IP 67 | 20 mio | EX | bis PLe | UL |
| CE | EAC | AC 15 | | | |

Find out more



ATEX Switches

Complies with European and international guidelines (ATEX and IECEx) for explosion protection.

The switches are available in aluminium housing for zone 21 and 22. The switches in Duroplast housing are available for zone 22.

| | | | | | |
|----------------|-------|---------|----|--------|----|
| AL | BMC | max. 4 | | | |
| -40°C +70°C | IP 67 | bis PLe | UL | 20 mio | EX |
| CE | EAC | AC 15 | | | |

Find out more



Switch with BUS Module

Equipped with an interface that is compatible with Caro Gavazzi Dupline® Fieldbus or Dupline® Safe components.

Signals can efficiently be transferred over longer distances to a control centre to be controlled and managed by an SPS or a PC.

| | | | | | | |
|--|---------------------------|---|--|-------------------|-------------------------|---------------|
| max. 24 | -40°C to +60°C | R5 | 400 V~ 25 A | 400 V~ 63 A | 1 mio | Find out more |
| Pressure equalization element (optional) | Positive opening contacts | Explosion-proof (variants in preparation) | UL certification (variants in preparation) | 10 years Warranty | Installation from below | |

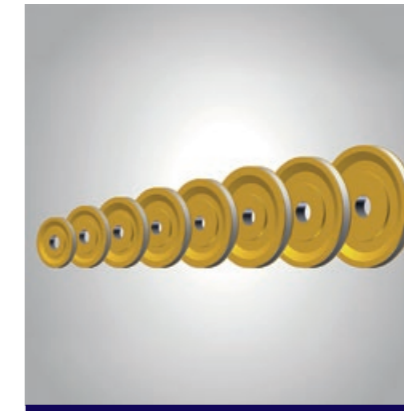


Safety Switches Symbol Key

| | | | |
|---|---|--|-------------------------------|
| Double-sided pull wire | Pressure equalization element (optional) | Explosion-proof (variants in preparation) | Installation from below |
| Housing material aluminium | Positive opening contacts | Performance Level e | Retraction |
| Housing material duroplast | Operating temperature range -40 to +70 °C | UL certification (variants in preparation) | 10 years Warranty |
| Max. number of normally open switching contacts | Operating temperature range -40 to +60 °C | Number of detents | Utilization category AC |
| Max. number of normally closed switching contacts | Housing degree of protection IP 67 | Max. voltage/current | Utilization category DC |
| Max. number of contacts per movement direction | Max. pull wire length 2 x 50 m | Max. voltage/current | CE |
| Max. number of changeover switching contacts | Switching cycles | Switching cycles | EAC (variants in preparation) |
| LED indicator (optional) | Latching function | Rotary drive | Single sided pull rope |



Hook Blocks



Rope Pullies



Roller Guides



Buffers



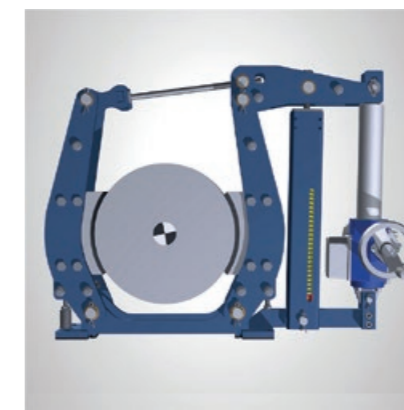
Disc Brakes



Brake Lifters



Storm Brakes



Drum Brakes



Couplings



In-house Shows



Let us come to you!

New Technology

Get a look at some of our latest innovations in operator controls, cable chain and more.

Tailored to Suit You

We can offer you a chance to experience our road show with a flexible setup for indoors, outdoors or within the van. Whatever your site requirements are we can adapt to meet your needs.

Operators Experience

Give operators the chance to appreciate the quality and benefits of our products first hand.

Free Equipment Assessment

Whilst on-site our team are happy to assess existing equipment to see where improvements can be made.

At your convenience

Find a time that works for your team and we'll come to you.



