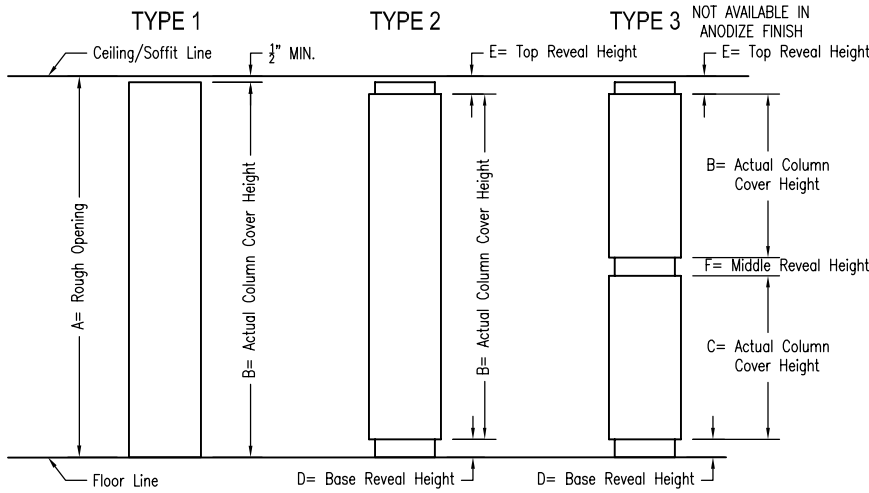


SERIES M-1000 Metal Hook-On Column Cover



Request for Quote

Purchase Order Form

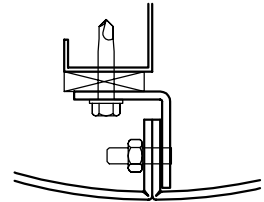
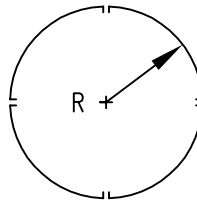
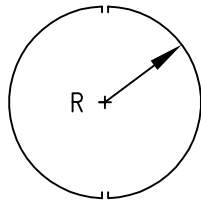
Date: _____

Company Name _____

Contact Name _____

P.O. Number (if order) _____

Project Name _____



Type 1	Type 2	Type 3	Column Cover Options	Column Cover #1	Column Cover #2	Column Cover #3	Column Cover #4	Column Cover #5
X	X	X	Type (1, 2, or 3)					
X	X	X	Quantity					
X	X	X	Dimension "A" (Rough Opening)					
X	X	X	Dimension "B" (Actual Column Cover Height)					
N/A	N/A	X	Dimension "C" (Actual Column Cover Height)					
N/A	X	X	Dimension "D" (Base Reveal Height)					
N/A	X	X	Dimension "E" (Top Reveal Height) Including .5" Min					
N/A	N/A	X	Dimension "F" (Middle Reveal Height)					
X	X	X	Configuration H=Halves / Q=Quarters					
X	X	X	Dimension "R" Radius					
X	X	X	Material Type A=Aluminum / S=Stainless Steel					
X	X	X	Material Gauge/Thickness Aluminum - 0.125" / 0.090" Stainless Steel - 16ga					
X	X	X	Finish P=70% Kynar Paint B=Brushed / A=Anodized					

X = Denotes line item must be completed to produce a quotation

N/A= Not applicable



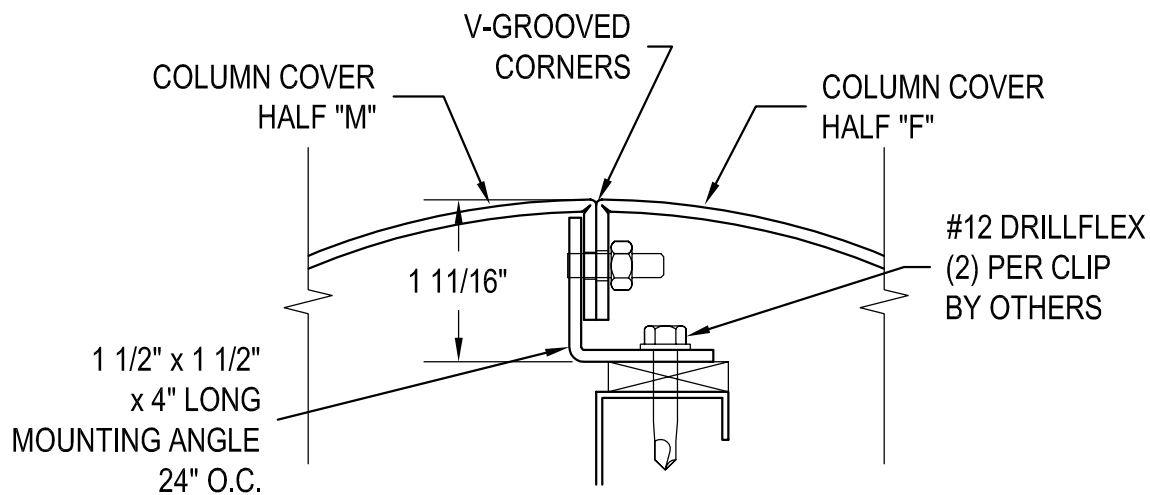
Metal Fabrication

8370 HIGHWAY 78E www.saf.com PHONE: (770) 942-1207
VILLA RICA, GEORGIA 30180 FAX: (877) 949-4759

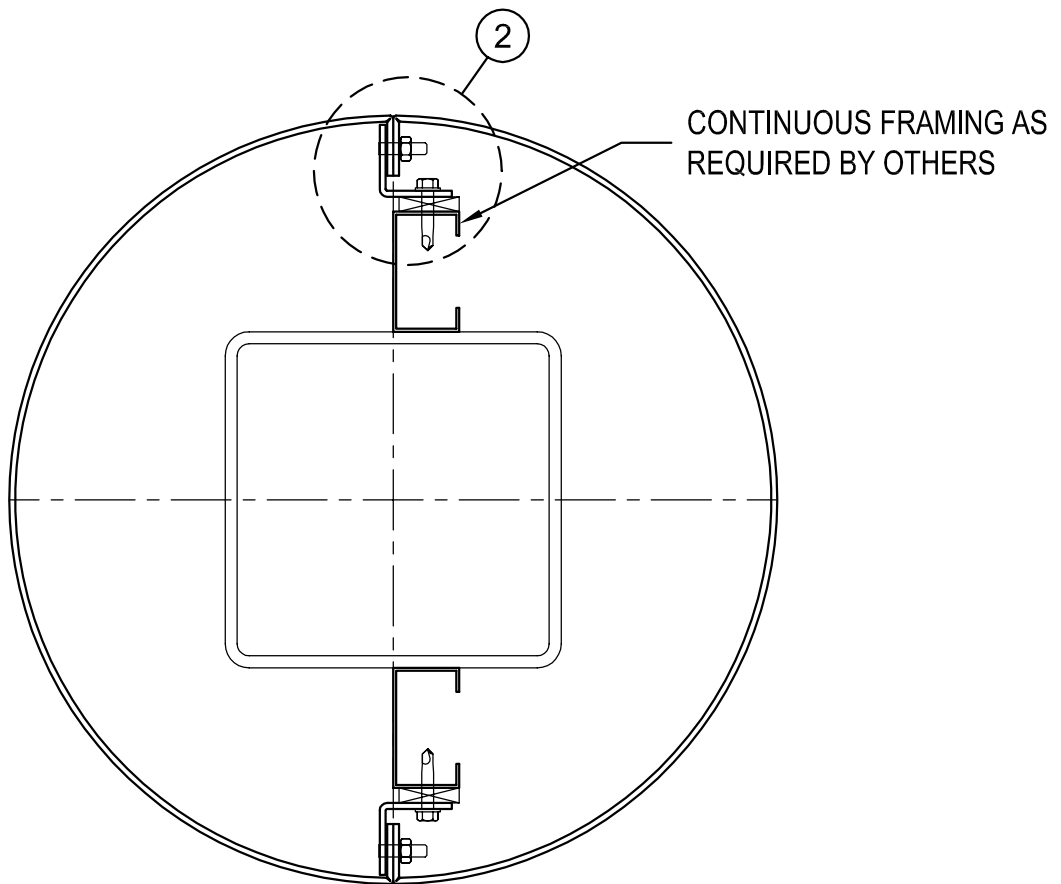
QUOTE REQUEST/ORDER FORM

REVISION: MAR 08





2 VERTICAL BUTT JOINT DETAIL



1 COLUMN COVER SECTION

SERIES M-1000 (HOOK ON)



Metal Fabrication

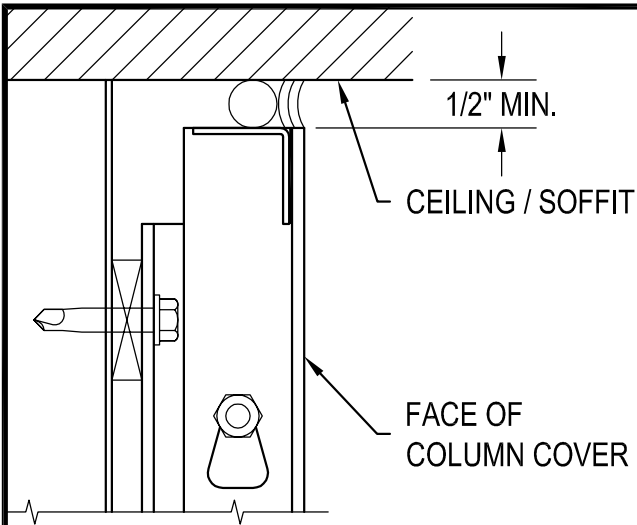
8370 HIGHWAY 78E www.saf.com PHONE: (770) 942-1207
 VILLA RICA, GEORGIA 30180 FAX: (877) 949-4759

TYPICAL DETAILS

SCALE: NTS

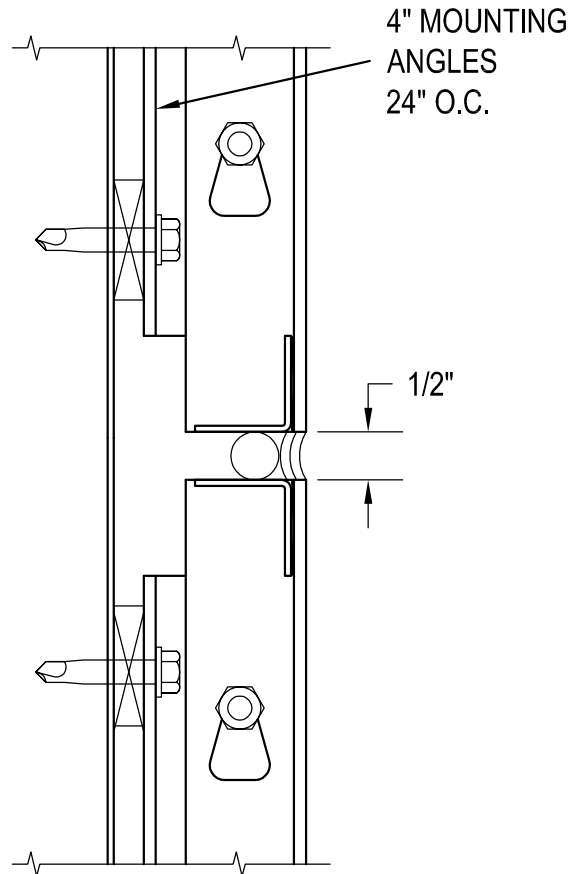
REVISION: MAR 08



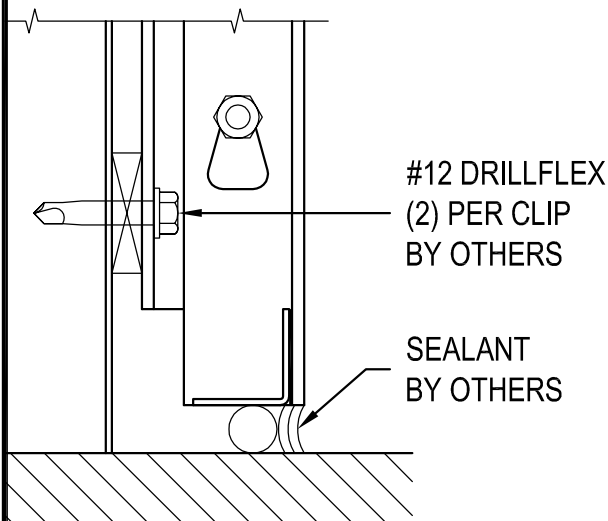


NOTE: 1/2" MINIMUM CLEARANCE
REQUIRED AT TOP FOR
HOOK ON FEATURE

4 CEILING/SOFFIT DETAIL



5 TYP HORIZONTAL JOINT DETAIL



3 BASE DETAIL

SERIES M-1000 (HOOK ON)

SAF Metal Fabrication

8370 HIGHWAY 78E www.saf.com PHONE: (770) 942-1207
VILLA RICA, GEORGIA 30180 FAX: (877) 949-4759

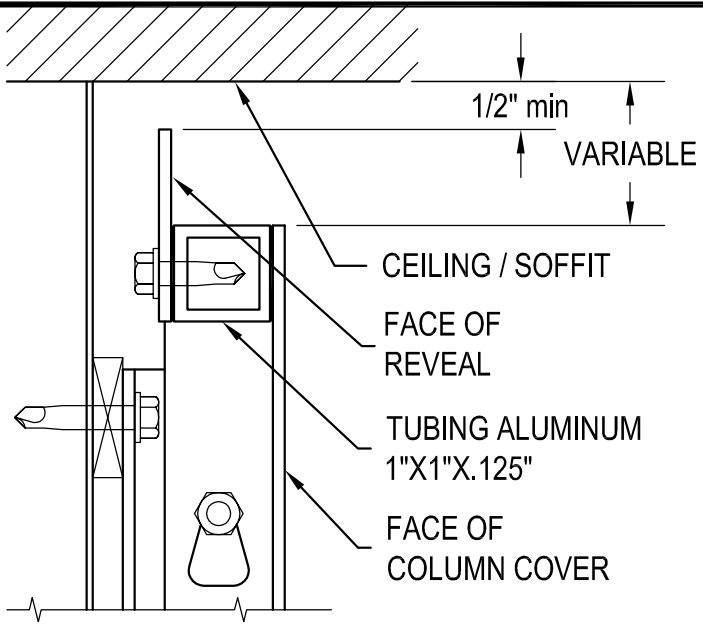
TYPICAL DETAILS

SCALE: NTS

REVISION: MAR 08

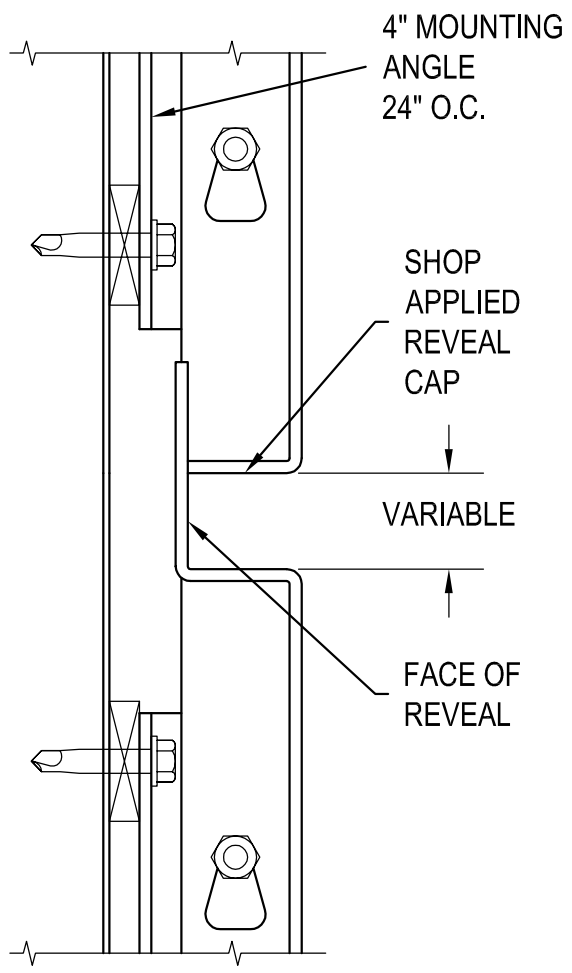
SAF

Xpressions

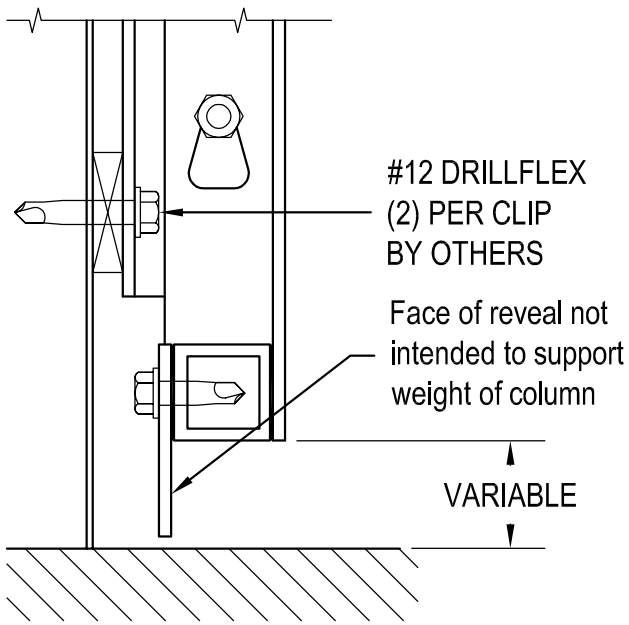


NOTE: 1/2" MINIMUM CLEARANCE
REQUIRED AT TOP FOR
HOOK ON FEATURE

7 CEILING/SOFFIT
REVEAL DETAIL



8 HORIZONTAL
REVEAL DETAIL
MID REVEAL NOT AVAILABLE
ON ANODIZED COVERS



6 BASE REVEAL DETAIL

SERIES M-1000 (HOOK ON)

SAF Metal Fabrication
8370 HIGHWAY 78E www.saf.com PHONE: (770) 942-1207
VILLA RICA, GEORGIA 30180 FAX: (877) 949-4759

TYPICAL REVEAL DETAILS

SCALE: NTS REVISION: MAR 08

