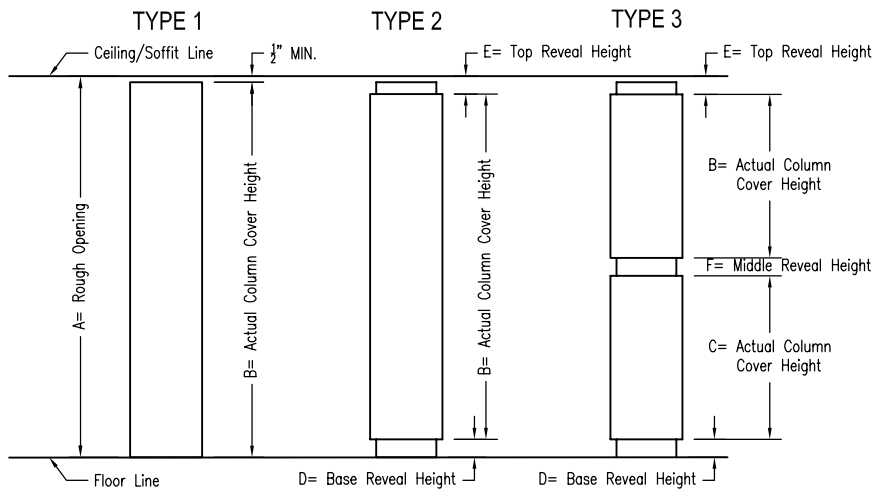


# SERIES C-1000 ACM Hook-On Column Cover



Request for Quote

Purchase Order Form

Date: \_\_\_\_\_

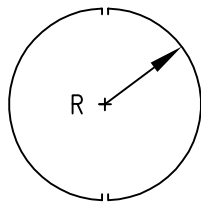
Company Name \_\_\_\_\_

Contact Name \_\_\_\_\_

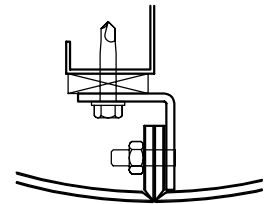
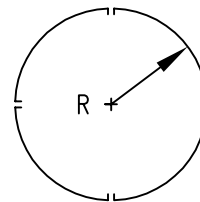
P.O. Number (if order) \_\_\_\_\_

Project Name \_\_\_\_\_

NOTE:  
Hairline joint visible  
at hot air weld  
locations.



6" MINIMUM  
RADIUS



Type 1	Type 2	Type 3	Column Cover Options	Column Cover #1	Column Cover #2	Column Cover #3	Column Cover #4	Column Cover #5
X	X	X	<b>Type</b> (1, 2, or 3)					
X	X	X	<b>Quantity</b>					
X	X	X	<b>Dimension "A"</b> (Rough Opening)					
X	X	X	<b>Dimension "B"</b> (Actual Column Cover Height)					
N/A	N/A	X	<b>Dimension "C"</b> (Actual Column Cover Height)					
N/A	X	X	<b>Dimension "D"</b> (Base Reveal Height)					
N/A	X	X	<b>Dimension "E"</b> (Top Reveal Height) Including .5" Min					
N/A	N/A	X	<b>Dimension "F"</b> (Middle Reveal Height)					
X	X	X	<b>Configuration</b> H=Halves / Q=Quarters					
X	X	X	<b>Dimension "R" Radius</b>					
X	X	X	<b>Material Type</b> C=Composite Aluminum	C	C	C	C	C
X	X	X	<b>Material Gauge/Thickness</b> 3mm / 4mm / 6mm					
X	X	X	<b>Finish</b> See vendor color card for Standard & Custom finishes					

X = Denotes line item must be completed to produce a quotation

N/A= Not applicable



**Metal Fabrication**

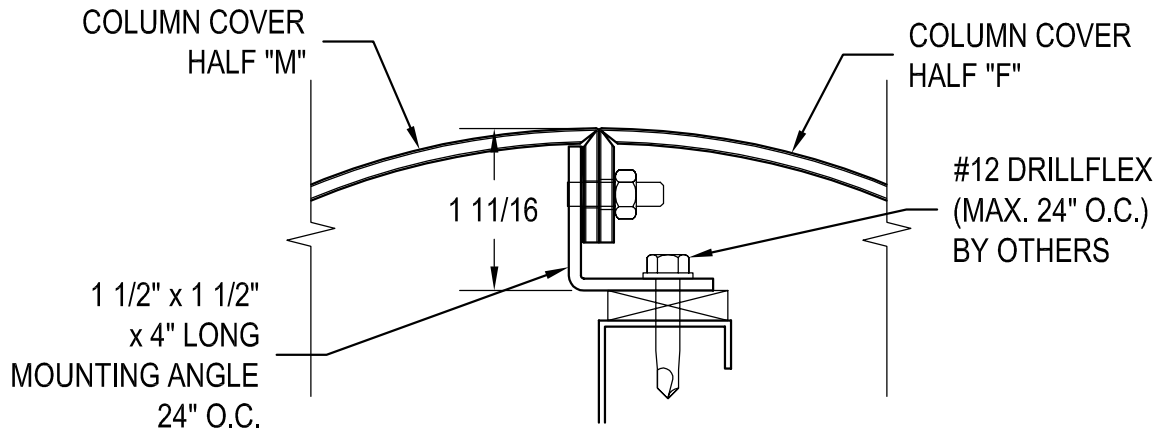
8370 HIGHWAY 78E [www.saf.com](http://www.saf.com) PHONE: (770) 942-1207  
VILLA RICA, GEORGIA 30180 FAX: (877) 949-4759

## QUOTE REQUEST/ORDER FORM

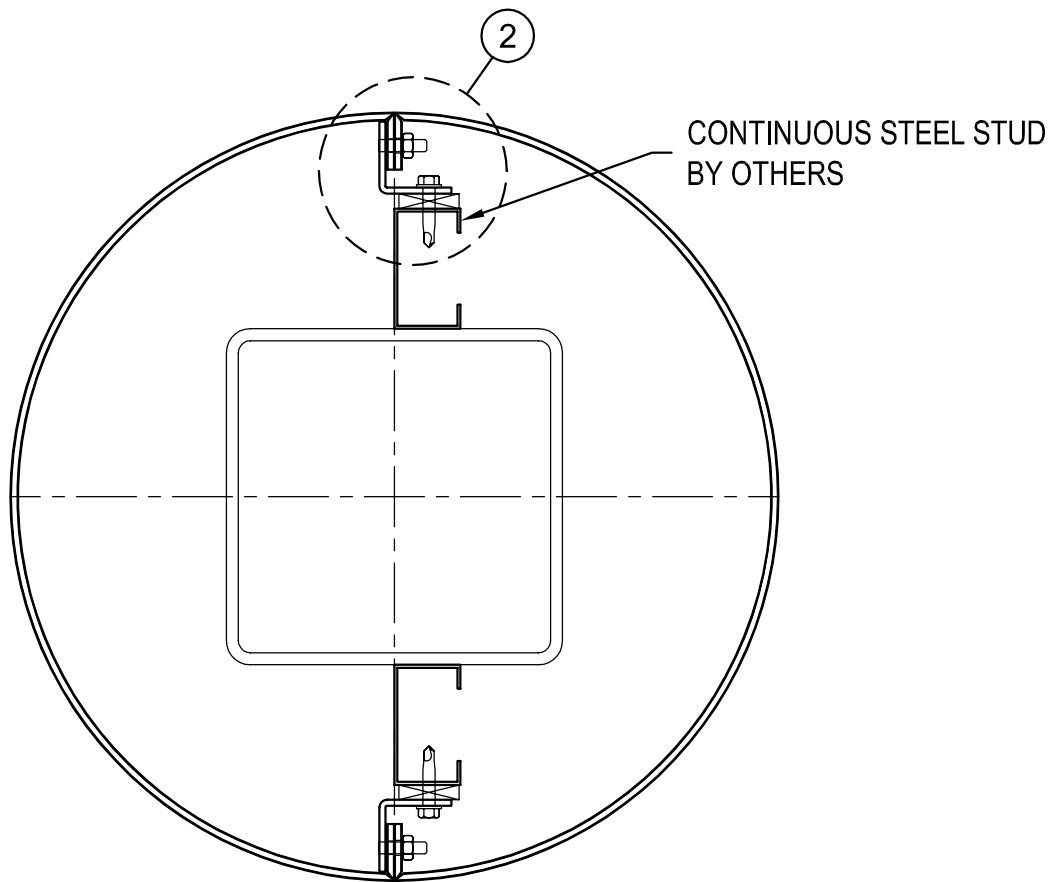
REVISION: MAR 08



*Xpressions*



**2** VERTICAL BUTT JOINT DETAIL



**1** COLUMN COVER SECTION

**SERIES C-1000 ACM (HOOK ON)**

**SAF Metal Fabrication**

8370 HIGHWAY 78E [www.saf.com](http://www.saf.com) PHONE: (770) 942-1207  
 VILLA RICA, GEORGIA 30180 FAX: (877) 949-4759

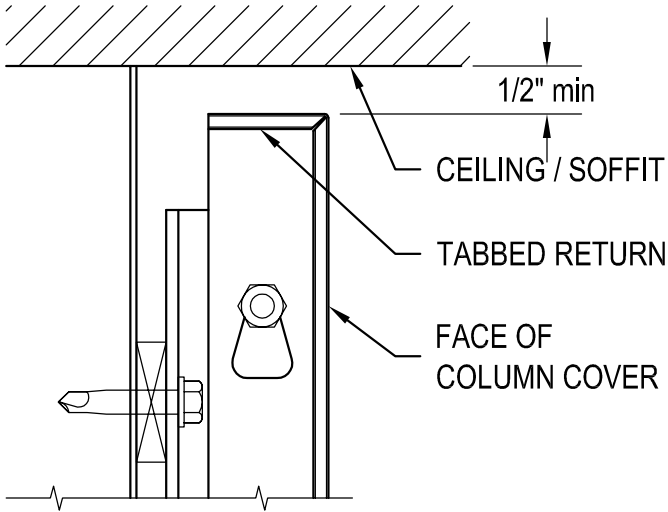
**TYPICAL DETAILS**

SCALE: NTS

REVISION: MAR 08

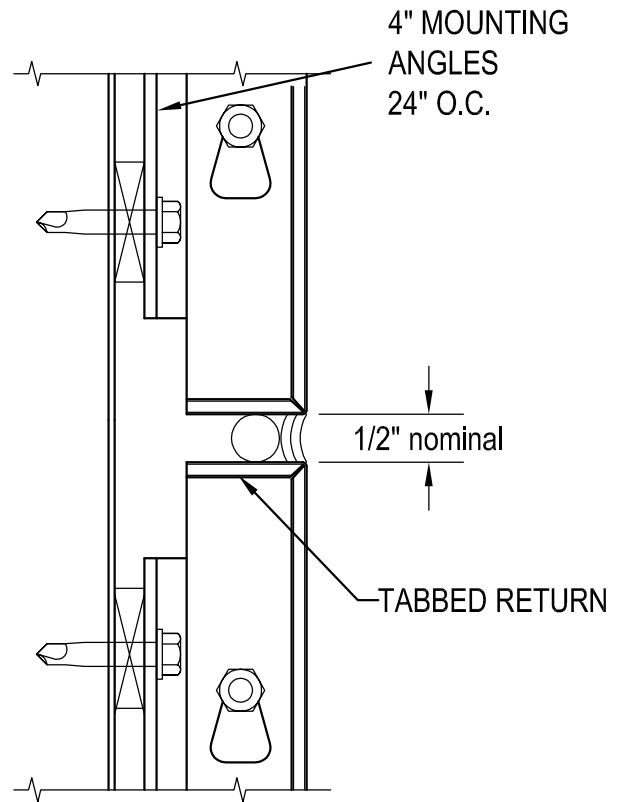
**SAF**

*Xpressions*

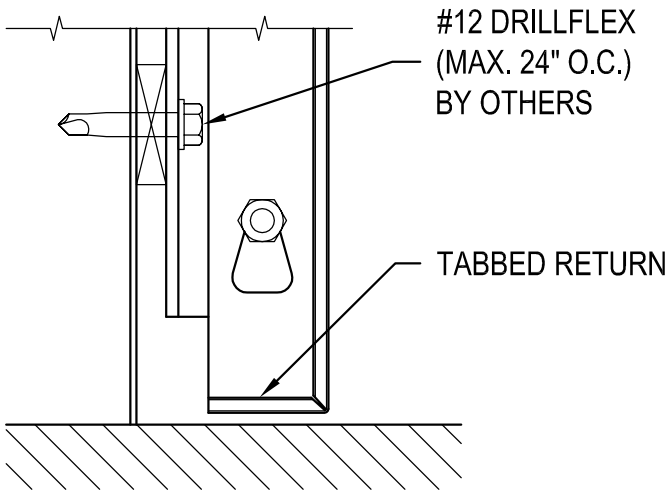


**4** CEILING/SOFFIT DETAIL

NOTE: 1/2" MINIMUM CLEARANCE  
REQUIRED AT TOP FOR  
HOOK ON FEATURE



**5** TYP HORIZONTAL JOINT DETAIL



**3** BASE DETAIL

## SERIES C-1000 ACM (HOOK ON)

**SAF** Metal Fabrication

8370 HIGHWAY 78E [www.saf.com](http://www.saf.com) PHONE: (770) 942-1207  
VILLA RICA, GEORGIA 30180 FAX: (877) 949-4759

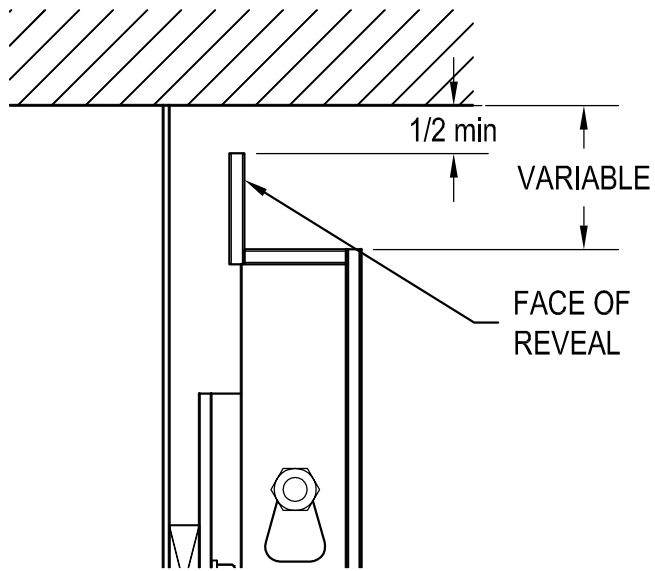
TYPICAL DETAILS

SCALE: NTS

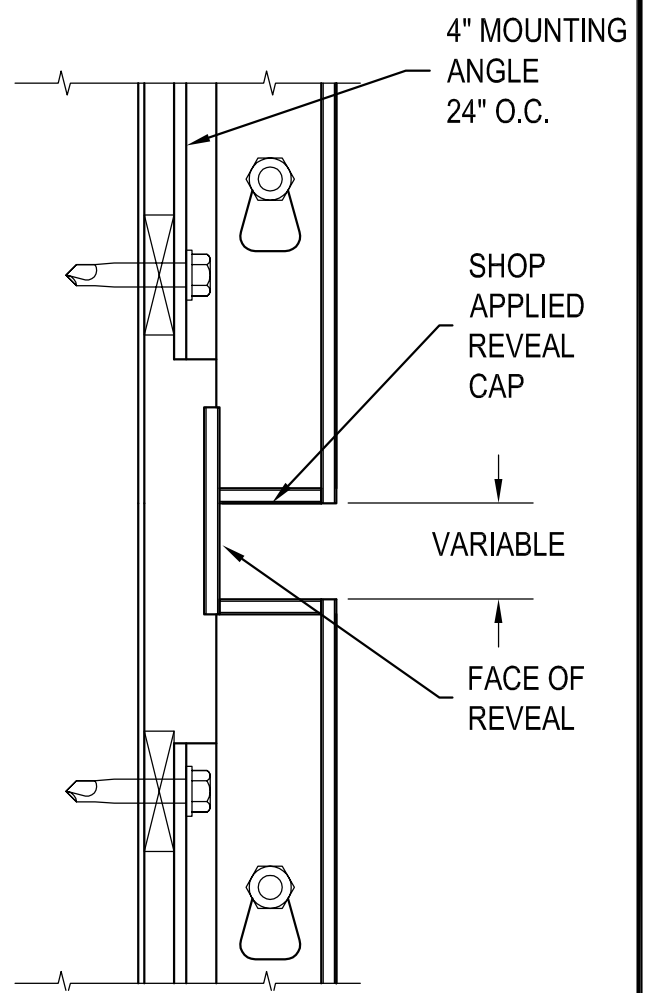
REVISION: MAR 08

**SAF**

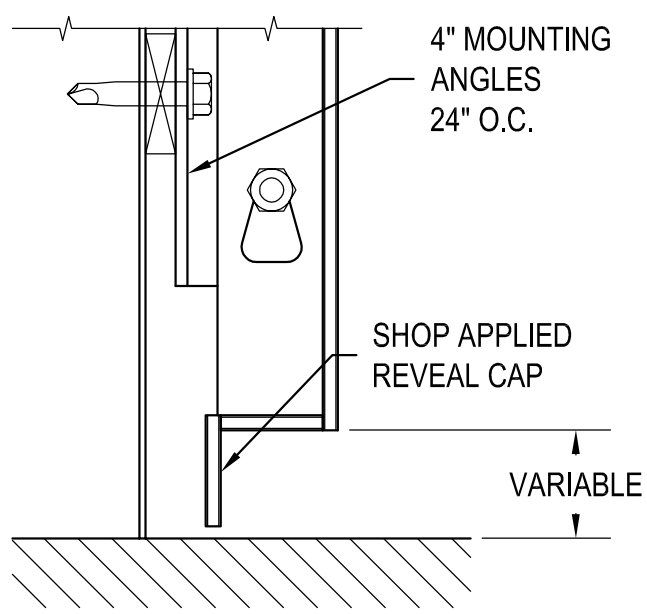
*Xpressions*



**7** CEILING/SOFFIT REVEAL DETAIL



**8** HORIZONTAL REVEAL DETAIL  
HAIRLINE JOINT VISIBLE AT HOT AIR WELD LOCATIONS



**6** BASE REVEAL DETAIL

## SERIES C-1000 ACM (HOOK ON)

**SAF** Metal Fabrication  
8370 HIGHWAY 78E www.saf.com PHONE: (770) 942-1207  
VILLA RICA, GEORGIA 30180 FAX: (877) 949-4759

TYPICAL DETAILS

SCALE: NTS REVISION: MAR 08

