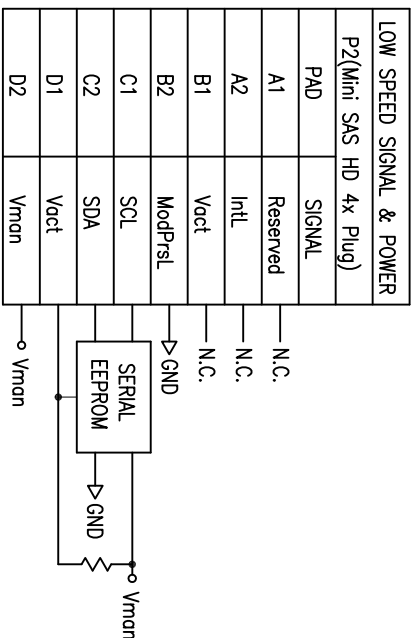


1	2	3
REV.	REMARK	DATE SIGN.

WIRING DIAGRAM

HIGH SPEED SIGNAL		P2(Mini SAS HD 4x Plug)	
PIN	SIGNAL	PAD	SIGNAL
A2	RX0+	D4	TX0+
A3	RX0-	D5	TX0-
A5	RX1+	C4	TX1+
A6	RX1-	C5	TX1-
A8	RX2+	D7	TX2+
A9	RX2-	D8	TX2-
A11	RX3+	C7	TX3+
A12	RX3-	C8	TX3-
B2	TX0+	B4	RX0+
B3	TX0-	B5	RX0-
B5	TX1+	A4	RX1+
B6	TX1-	A5	RX1-
B8	TX2+	B7	RX2+
B9	TX2-	B8	RX2-
B11	TX3+	A7	RX3+
B12	TX3-	A8	RX3-
GND GROUP		GND GROUP	
GND		GND	
GND GROUP: A1,A4,A7,A10,A13, B1,B4,B7,B10,B13.		GND GROUP: A3,A6,A9,B3,B6,B9, C3,C6,C9,D3,D6,D9.	
Connector Shell		Connector Shell	



DESC.		Mini SAS 4x/Mini SAS HD 4x CABLE ASS'Y	APPROVED	CHECKED	DESIGNED	TOLERANCE	SCALE	UNIT
P/N	C5556-1M	CUSTOMER P/N			Sino	*	08/11/'11	mm

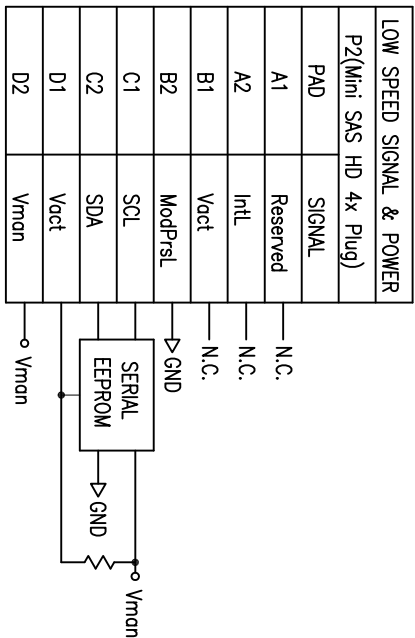
DataStorageCables.com

1 2 3 4 5 6 7 8 9

1	2	3
REV.	REMARK	DATE SIGN.

WIRING DIAGRAM

HIGH SPEED SIGNAL		P2(Mini SAS HD 4x Plug)	
PIN	SIGNAL	PAD	SIGNAL
A2	RX0+	D4	TX0+
A3	RX0-	D5	TX0-
A5	RX1+	C4	TX1+
A6	RX1-	C5	TX1-
A8	RX2+	D7	TX2+
A9	RX2-	D8	TX2-
A11	RX3+	C7	TX3+
A12	RX3-	C8	TX3-
B2	TX0+	B4	RX0+
B3	TX0-	B5	RX0-
B5	TX1+	A4	RX1+
B6	TX1-	A5	RX1-
B8	TX2+	B7	RX2+
B9	TX2-	B8	RX2-
B11	TX3+	A7	RX3+
B12	TX3-	A8	RX3-
GND GROUP		GND GROUP	
GND		GND	
GND GROUP: A1,A4,A7,A10,A13, B1,B4,B7,B10,B13.		GND GROUP: A3,A6,A9,B3,B6,B9, C3,C6,C9,D3,D6,D9.	
Connector Shell		Connector Shell	



DESC.		Mini SAS 4x/Mini SAS HD 4x CABLE ASS'Y	APPROVED	CHECKED	DESIGNED	TOLERANCE	SCALE	UNIT
P/N	C5556-1M	CUSTOMER P/N			Sino	*	*	mm
TMC-The Mate Co.							08/11/'11	DWG NO: DWG\RC\4779

1 2 3 4 5 6 7 8 9