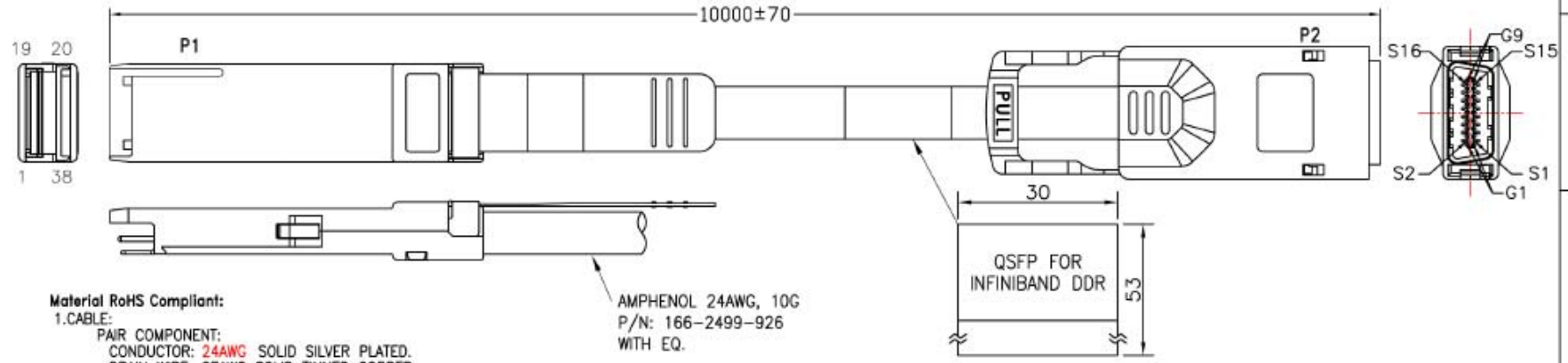


1	2	3	4	5	6	7	8	9
---	---	---	---	---	---	---	---	---

Rev.	Remark	Date	Sign.
------	--------	------	-------

RoHS

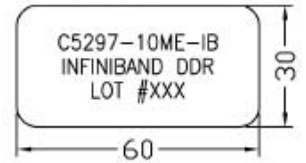


**Material RoHS Compliant:**

1.CABLE:  
 PAIR COMPONENT:  
 CONDUCTOR: 24AWG SOLID SILVER PLATED.  
 DRAIN WIRE: 27AWG SOLID TINNED COPPER.  
 CORE: 8 PAIRS  
 PAIR SHIELD: ALUMINUM/POLYESTER TAPE. ALUMINUM SIDE FACING IN, 20% OVERLAP  
 FINAL ASSEMBLY:  
 INNER SHIELD: ALUMINUM/POLYESTER TAPE, ALUMINUM SIDE FACING OUT, 20% OVERLAP.  
 OUTER SHIELD: 36WG TIN PLATED COPPER BRAID, 85% COVERAGE.  
 DIAMETER: 9.91±0.381 MM NOMINAL, COLOR: BLACK  
 DIFFERENTIAL IMPEDANCE: 100±5 OHMS @TDR  
 MUTUAL CAPACITANCE: 42PF/M NOMINAL.  
 TIME DELAY: 4.25NS/M.  
 PRINT LEGEND:  
 SPECTRA-STRIP SKEWCLEAR 8 PAIR 24 AWG EXF-11 (UL) 75°C CL2 FT4 RoHS COMPLIANT

2.CONNECTOR:  
 P1: 4x-Pluggable-QSFP+  
 (1) P.C.B: 4 LAYERS, GOLD PLATING ON CONTACT PADS, WITH EQ.(SPCB-040075A2, AC Coupling)  
 (2) LATCH: STAINLESS STEEL WITH PULL TAB.  
 (3) BACKSHELL: ZINC DIE CASTING HOOD/ NICKEL PLATING.  
 P2: 4X EJECTOR TYPE (SFF-8470)  
 (1) BACKSHELL: ZINC DIE CAST/ NICKEL PLATING  
 (2) CONTACTS: 30u" INCHES GOLD PLATING  
 (3) P.C.B: 4 LAYERS, GOLD PLATING ON CONTACT PADS, WITH EQ.

5.LABELING ON BAG:



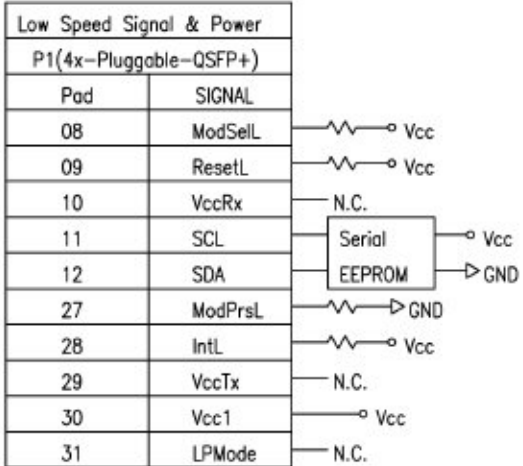
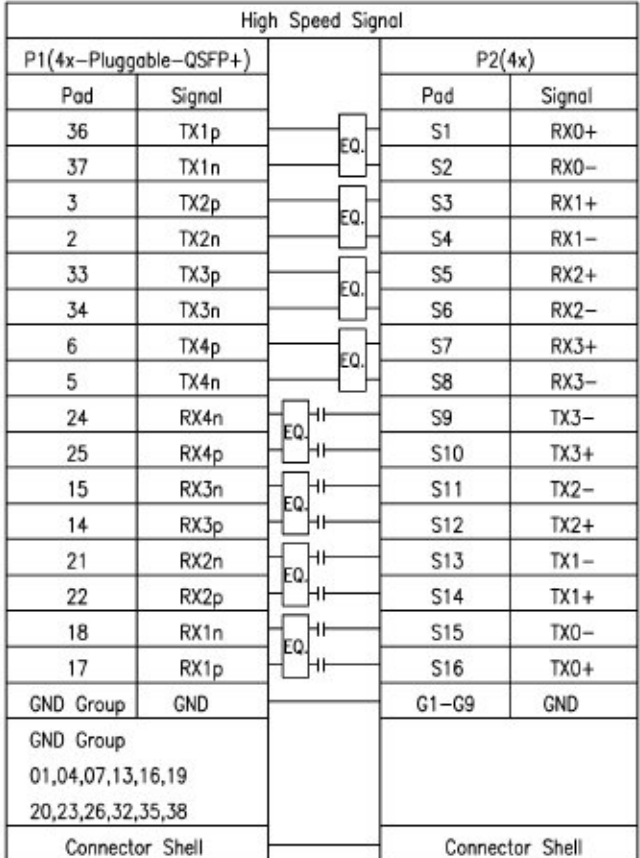
3.For INFINIBAND DDR USE.  
 4.Two-Wire Serial Memory: Atmel AT24C02B EEPROM(256 Bytes), Digital monitoring, control function and memory page not supported.

DataStorageCables.com	Desc.	QSFP+/4x Ejector Type Cable Assembly	Approved	Checked	Designed	Tolerance	Scale	*	Unit	mm	
	P/N	Customer P/N	C5297-10ME-IB			*	Date	06/05/14	DWG NO:		


1	2	3	4	5	6	7	8	9
---	---	---	---	---	---	---	---	---

Rev.	Remark	Date	Sign.					
------	--------	------	-------	--	--	--	--	--

**Wiring Diagram**



\*DC Blocking Caps on P1 Rx Side.

DataStorageCables.com	Desc.	QSFP+/4x Ejector Type Cable Assembly			Approved	Checked	Designed	Tolerance	Scale	*	Unit	mm	
	P/N	Customer P/N						*	Date	06/05/14	DWG NO:		

1	2	3	4	5	6	7	8	9
---	---	---	---	---	---	---	---	---