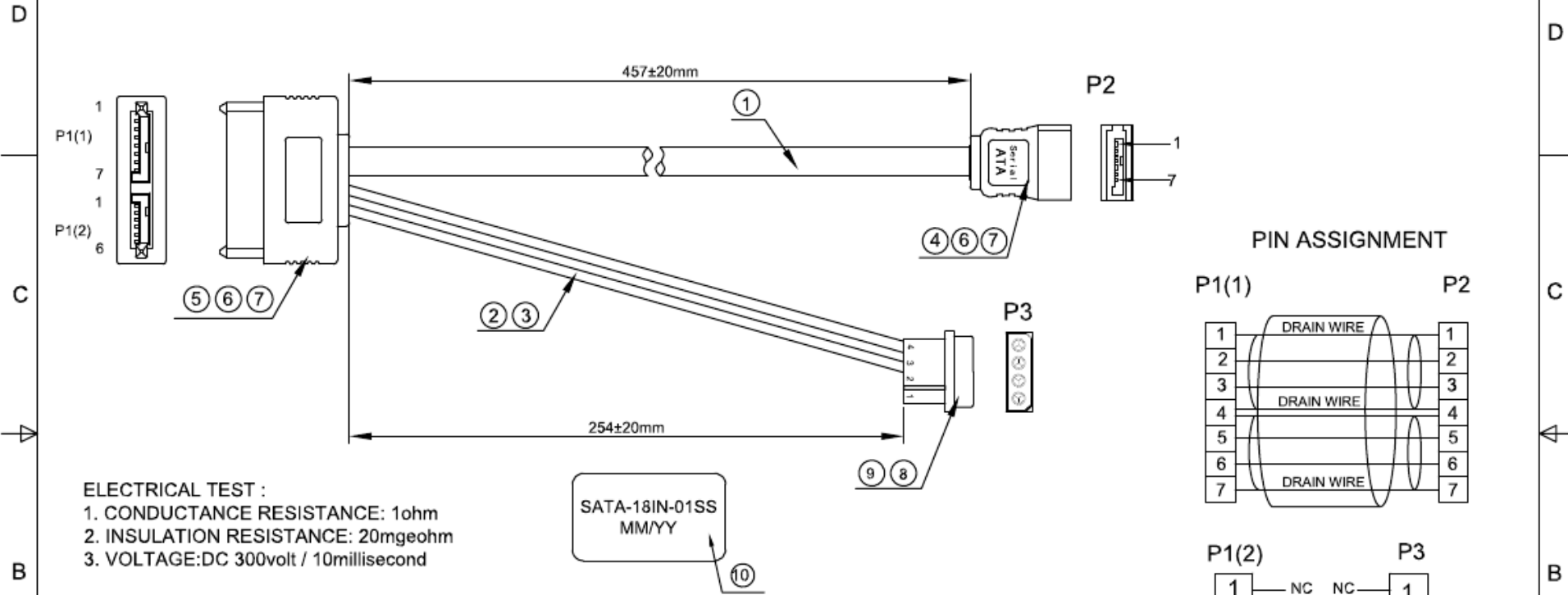


PART NO.

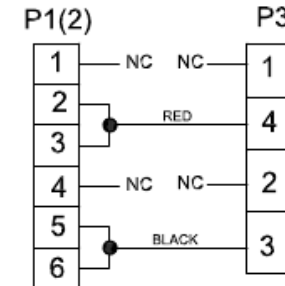
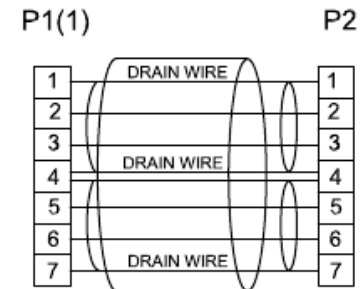
REVISIONS				
LTR	ECR NO.	DESCRIPTION	DATE	APPROVED
A		Initial Release for Manufacture	Jun. 10.09	Jeremy
B	10068	Change HOUSING SPEC	Apr. 19. 10	Jeremy



ELECTRICAL TEST :

1. CONDUCTANCE RESISTANCE: 1ohm
2. INSULATION RESISTANCE: 20mgeohm
3. VOLTAGE:DC 300volt / 10millisecond

PIN ASSIGNMENT



SATA-18IN-01SS
MM/YY



*	4-18-0004-463020	CARTON 46*30*20cm		1/250	PCS
*	4-18-0031-190475	ANGLE CHIPBOARD:190*47mm		4/250	PCS
*	4-14-0022-342851	PE BAG 34**28**0.08mm		1/250	PCS
*	4-14-0002-030851	PE BAG 3**8**0.08mm		1	PCS
*	4-16-0005-100010	TIE WHITE		80	mm
10	4-22-0376-281651	LABEL:SATA-18IN-01SS		1	PCS
9	4-19-A264-508104	C5081TOB-2 TERMINAL 20-24AWG		2	PCS
8	4-19-B263-508104	JWT 5081 HOUSING 1*4P NYLON66 WH		1	PCS
7	3-02-0001-532151	PE		5	G
6	3-01-0001-005001	PVC BK 50 P		8	G
5	2-61-A046-000101	Slimline SATA.7+6P/F SOLDER TYPE.		1	PCS
4	2-61-A003-001501	SATA 7P/F 15UJ 180° PBT		1	PCS
3	1-57-0081-610201	UL1007 22# BK		273	mm
2	1-57-0083-610203	UL1007 22# RED		273	mm
1	1-61-0001-200203	(30#*2F+AL+2D)*2C 1.85*5.8 ULL21149 RED		477	mm
NO.	PART NO.	DESCRIPTION		Q'TY	UNIT

TMC	APPROVALS	DATE
	DRAWN	
	CHECKED	
DIMENSIONS ARE ALL FACTORS TOLERANCES ETC.		APPROVAL
DECIMALS	ANGLES	
0 = 0.50	± 1°	
0.1 = 0.125	± 0.5°	

DataStorageCables.com

SATA 7P+6P/F TO SATA 7P/F 180° +POWER 4P

SIZE	SCALE	DRAWING NO.	REV.
C	XX : XX	SATA-18IN-01SS	B

ID NO. SHEET 1 OF 1

DO NOT SCALE DRAWING