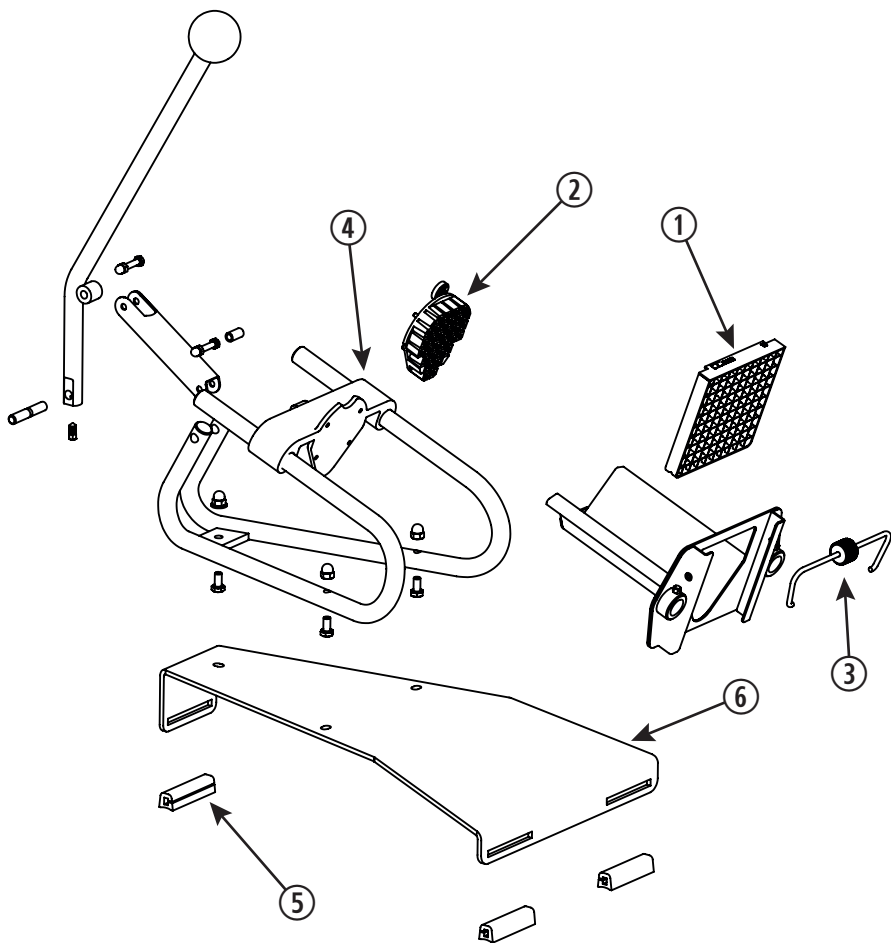




LOUIS TELLIER

RIEN NE REMPLACE LE FAIT MAIN



Commercial exploded view Professional french fry cutter - on stand **CS00, CS06, CS08, CS10, CS13**

No.	REFERENCE PIECE	DESCRIPTION
1	CF106	BLADE 6x6 MM - TINNED
	CF108	BLADE 8x8 MM - TINNED
	CF110	BLADE 10x10 MM - TINNED
	CF113	BLADE 13x13 MM - TINNED
	CF120	BLADE 10x20 MM - TINNED
	CF122	BLADE 20x20 MM - TINNED
	CF1K	BLADE 6 WEDGES - TINNED
2	CF206	PUSHER 6 x 6 MM
	CF208	PUSHER 8 X 8 MM
	CF210	PUSHER 10x10 / 20x20 / 10x20 MM
	CF213	PUSHER 13x13 MM
	CF2K	PUSHER 6 WEDGES
1+2	C006	KIT TIN BLADE + PUSHER - 6x6 MM
	C008	KIT TIN BLADE + PUSHER - 8x8 MM
	C010	KIT TIN BLADE + PUSHER - 10x10 MM
	C013	KIT TIN BLADE + PUSHER - 13x13 MM
	C020	KIT TIN BLADE + PUSHER - 10x20 MM
	C022	KIT TIN BLADE + PUSHER - 20x20 MM
C00K	KIT TIN BLADE + PUSHER - 6 WEDGES	
3	CF0005-2	SPRING WITH COG WHEEL - SET OF 2
4	CF0007	PLASTIC CARRIAGE
5	CF0018-3	SET OF 9 RUBBER FEET FOR STAND
6	CF0009	EPOXY BASE (WITHOUT RUBBER FEET)