

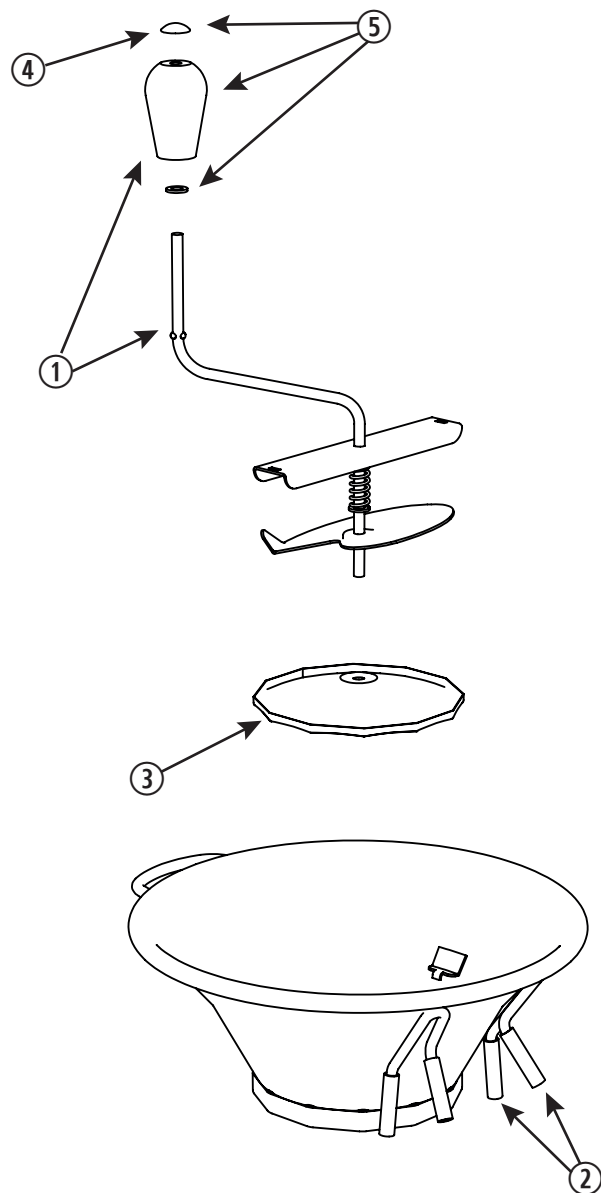


LOUIS TELLIER

RIEN NE REMPLACE LE FAIT MAIN

Commercial exploded view
Semi-professional food mill #3

S3 (tinned) , X3-F (stainless steel)



No.	REFERENCE PIECE		DESCRIPTION
	S3	X3-F	
1	S3002	X3002	SHAFT, HANDLE, CROSS BAR
2	S3003-3		4 RUBBERS - SET OF 3 (TOTAL : 12 pcs)
3	S3015	X3015	SIEVE Ø 1.5 MM
	S3025	X3025	SIEVE Ø 2.5MM
	S3040	X3040	SIEVE Ø 4 MM
4	S3006-10		CLIP HANDLE - SET OF 10
5	S3004-2	X3004-2	SET OF 2 HANDLES & 2 RINGS + 5 CLIPS HANDLE