

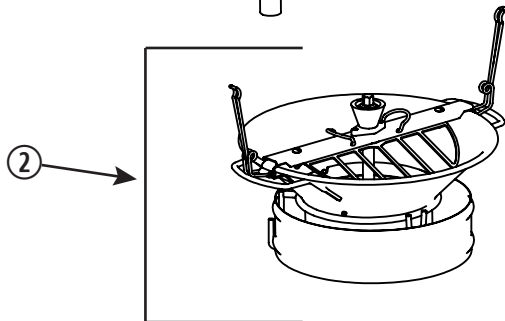
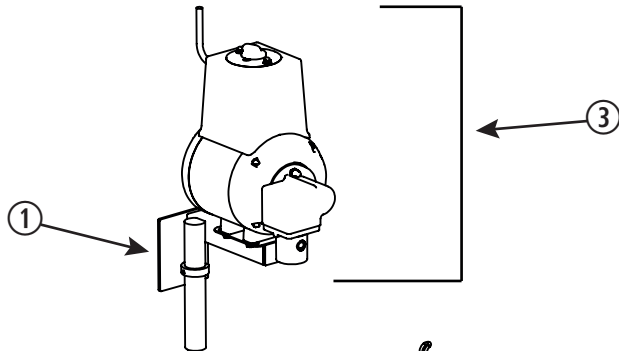


LOUIS TELLIER

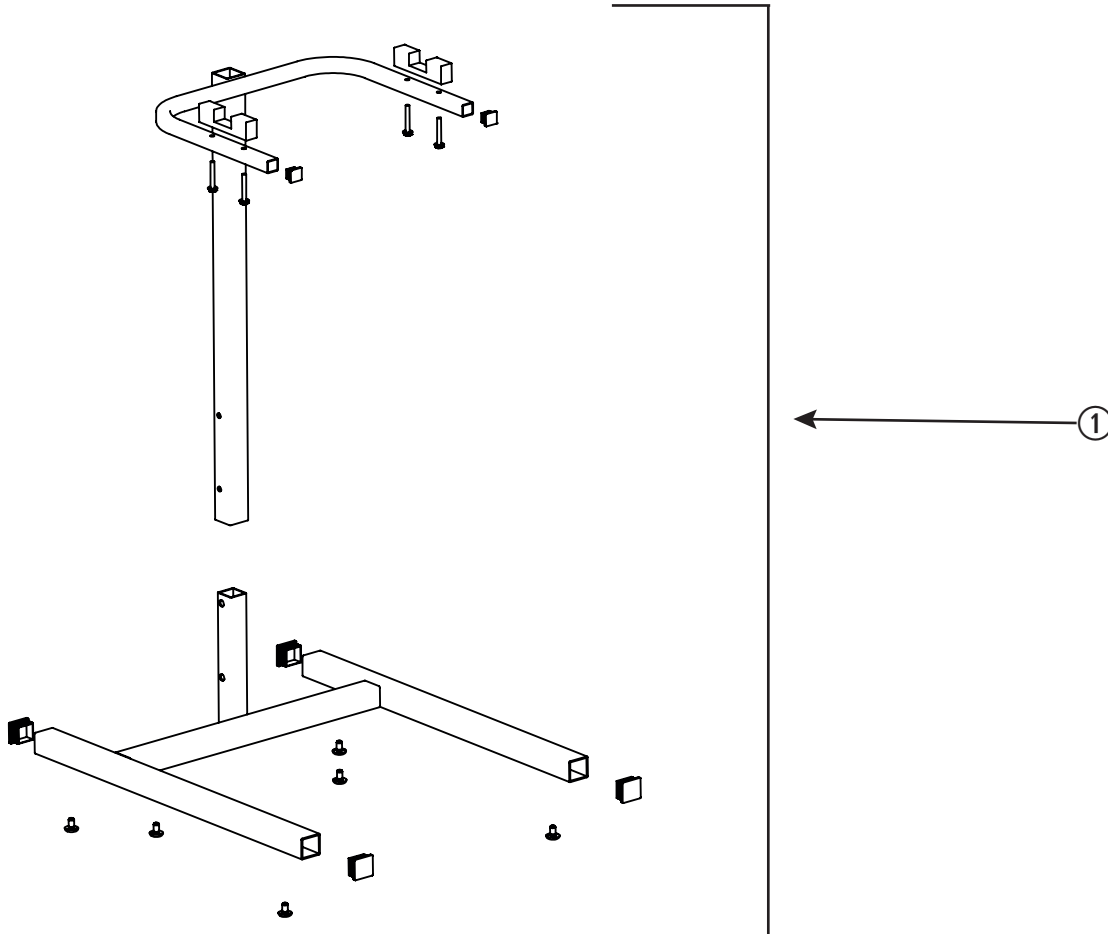
RIEN NE REMPLACE LE FAIT MAIN

Commercial exploded view electric food mill

**EX5T100, EX5T130,
EX5M100, EX5M130**



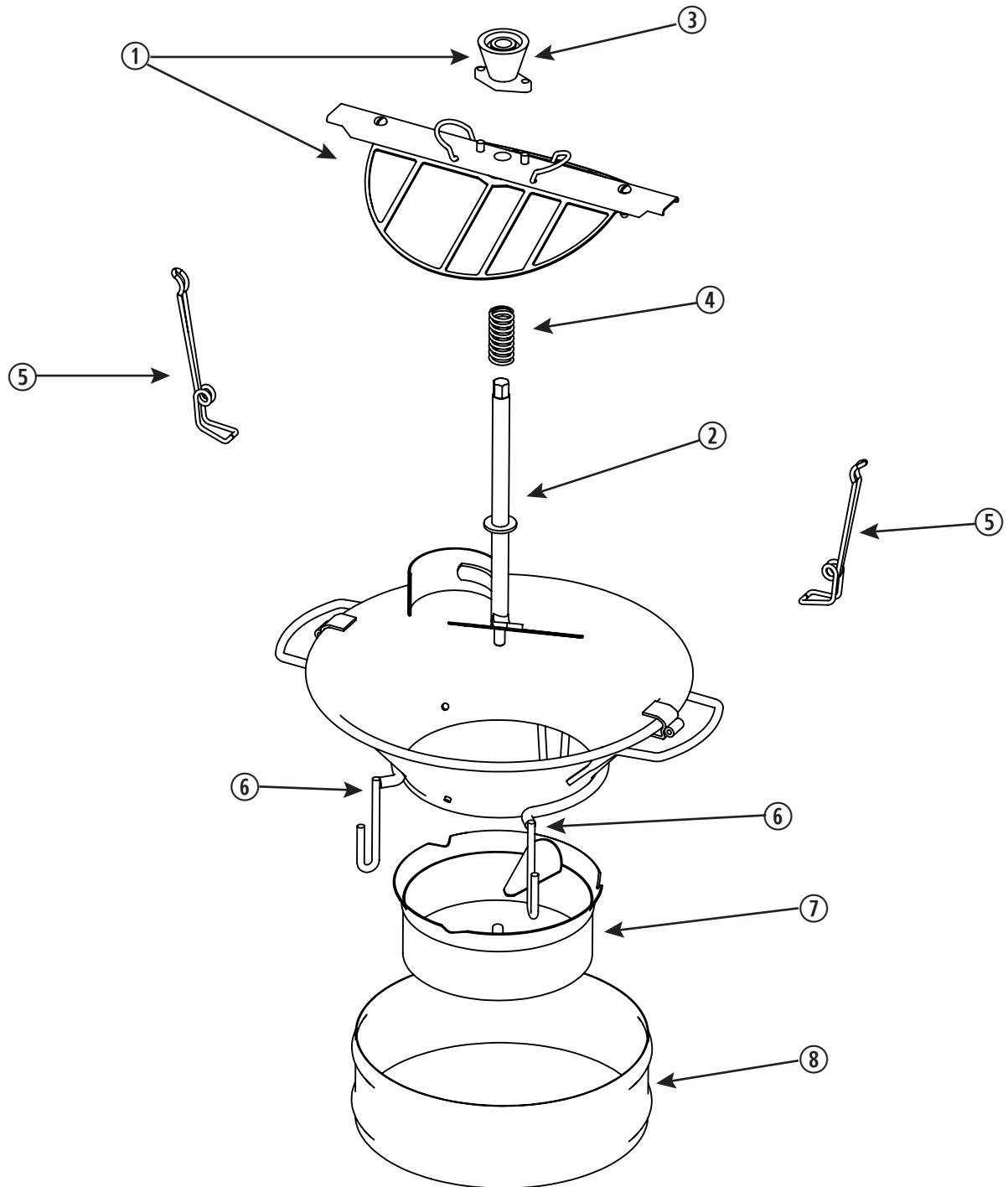
No.	REFERENCE PIECE	DESCRIPTION
1	EX5070	ST/ST STAND + MOTOR SUPPORTS
2		SUBASSEMBLY A - specific exploded view
3		SUBASSEMBLY B - specific exploded view





Commercial exploded view electric food mill EX5 Subassembly A

LOUIS TELLIER
RIEN NE REMPLACE LE FAIT MAIN



No. ARTICLE	REFERENCE PIECE	DESCRIPTION
1	EX5052	CROSSBAR - BUSHING - PROTECTION
2	EX5051	SHAFT- WITHOUT CENTRAL SPRING
3	EX5053	ALUMINIUM TIP (bushing)
4	P10003-5	CENTRAL SPRING - SET OF 5
5	X5003-4	HOLDING SPRING - SET OF 4
6	EX5069	RING SUPPORT

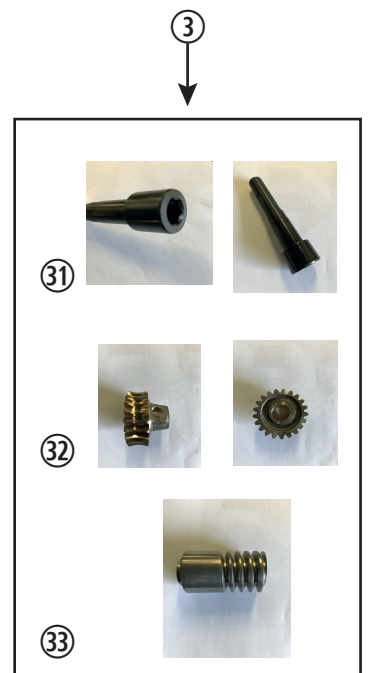
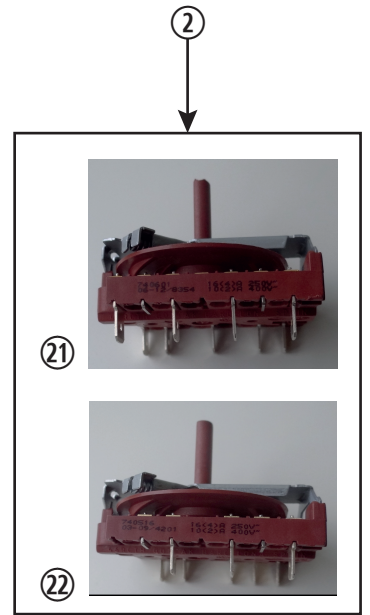
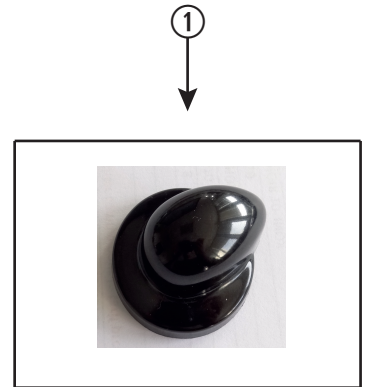
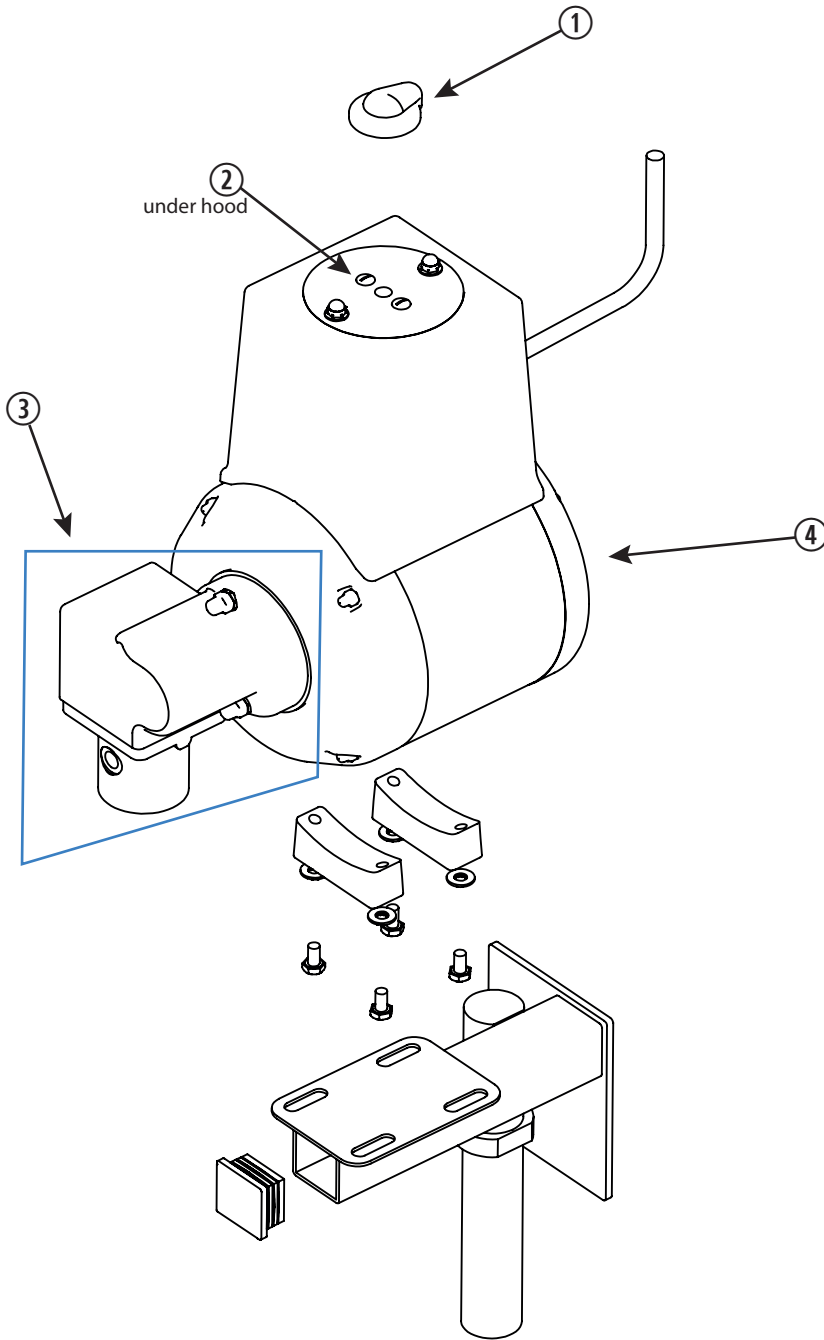
No. ARTICLE	REFERENCE PIECE	DESCRIPTION
7	EX5010	ST/ST SIEVE Ø 1 MM
	EX5015	ST/ST SIEVE Ø 1,5 MM
	EX5020	ST/ST SIEVE Ø 2 MM
	EX5030	ST/ST SIEVE Ø 3 MM
	EX5040	ST/ST SIEVE Ø 4 MM
8	EX5050	ANTI SPALSH CYLINDER



LOUIS TELLIER

RIEN NE REMPLACE LE FAIT MAIN

Commercial exploded view electric food mill EX5 Subassembly B



No.	REFERENCE PIECE	DESCRIPTION
1	E5068	INTERRUPTOR BUTTON
2	21 E5073	SINGLE PHASE INTERRUPTOR - WITH REVERSE
	22 E5072	3 PHASE INTERRUPTOR - WITH REVERSE
3	E5063	REDUCTING GEAR - without bushing
	31 E5071	AXIS - HEXAGON SOCKET
	32 E5064	BRONZE WHEEL
	33 E5065	ENDLESS SCREW
4	E5055	SINGLE PHASE MOTOR 220V
	E5059	3 PHASE MOTOR 380V