

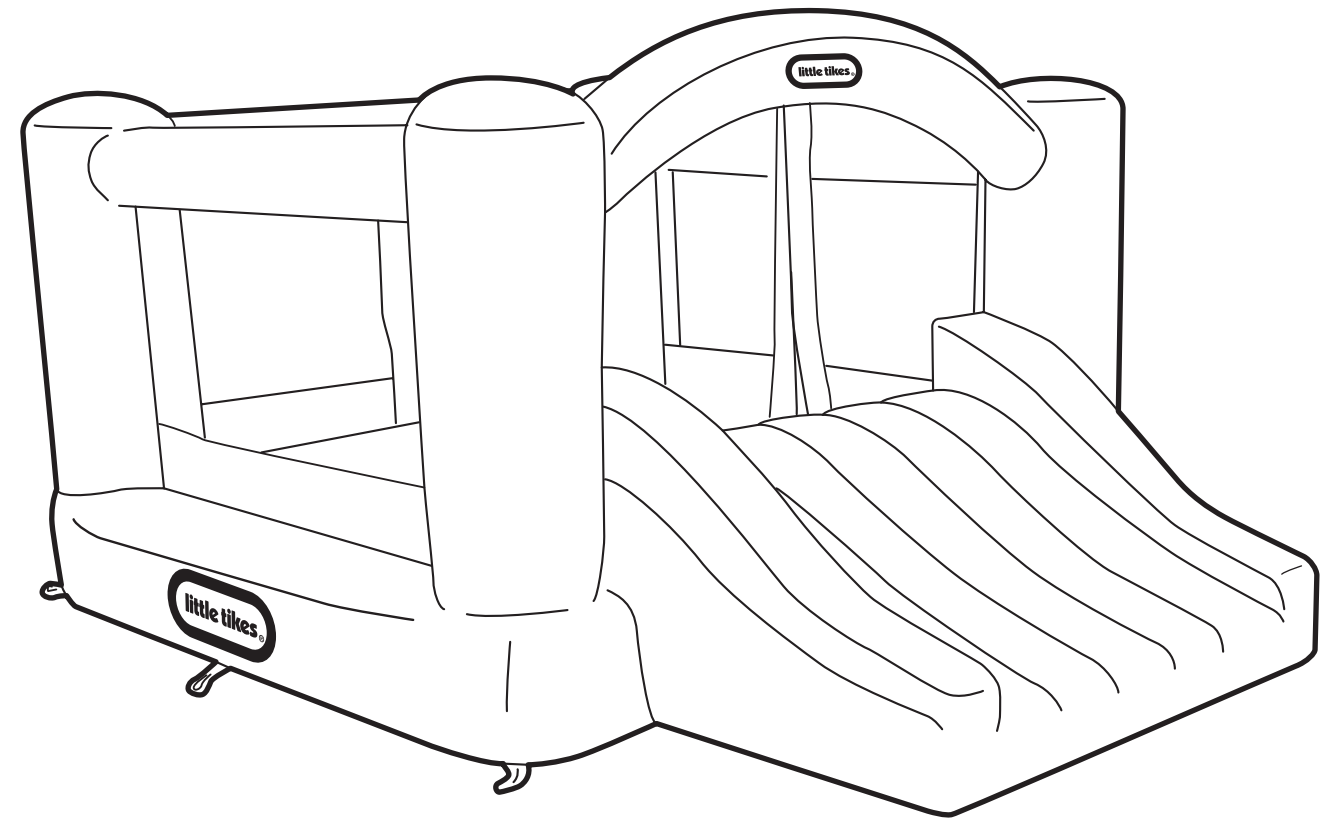
# Jump 'n Slide Bouncer

## Instructions for Installation and Operation

Ages: 3 - 8 years

### CAUTION - ELECTRICALLY OPERATED PRODUCT.

OPERATION OF BLOWER FAN UNIT NOT RECOMMENDED FOR CHILDREN UNDER 14 YEARS OF AGE.  
AS WITH ALL ELECTRIC PRODUCTS, PRECAUTIONS SHOULD BE OBSERVED DURING HANDLING AND USE TO PREVENT ELECTRIC SHOCK.



### ATTENTION:

IF YOU ENCOUNTER PROBLEMS, OR HAVE QUESTIONS,  
PLEASE DO NOT RETURN THE JUMP 'N SLIDE BOUNCER TO THE PLACE OF PURCHASE.  
PLEASE CALL OUR QUALIFIED CUSTOMER SERVICE TECHNICIANS AT 1-800-321-0183

### IMPORTANT SAFETY RULES

READ, UNDERSTAND, FOLLOW CAREFULLY AND RETAIN ALL INSTRUCTIONS  
BEFORE INSTALLING AND USING THIS PRODUCT.



'Let's care for the environment!'

The wheelie bin symbol indicates that the product must not be disposed of with other household waste.  
Please use designated collection points or recycling facilities when disposing of the item

Please keep this manual as it contains important information.



little tikes®

0209-1-E

© The Little Tikes Company,  
an MGA Entertainment company.  
LITTLE TIKES® is a trademark of Little Tikes in the U.S. and  
other countries. All logos, names, characters, likenesses,  
images, slogans, and packaging appearance  
are the property of Little Tikes.  
Little Tikes Consumer Service  
16300 Roscoe Blvd. Suite 150  
Van Nuys, CA 91406 U.S.A.  
1-800-321-0183  
Printed in China

[www.littletikes.com](http://www.littletikes.com)

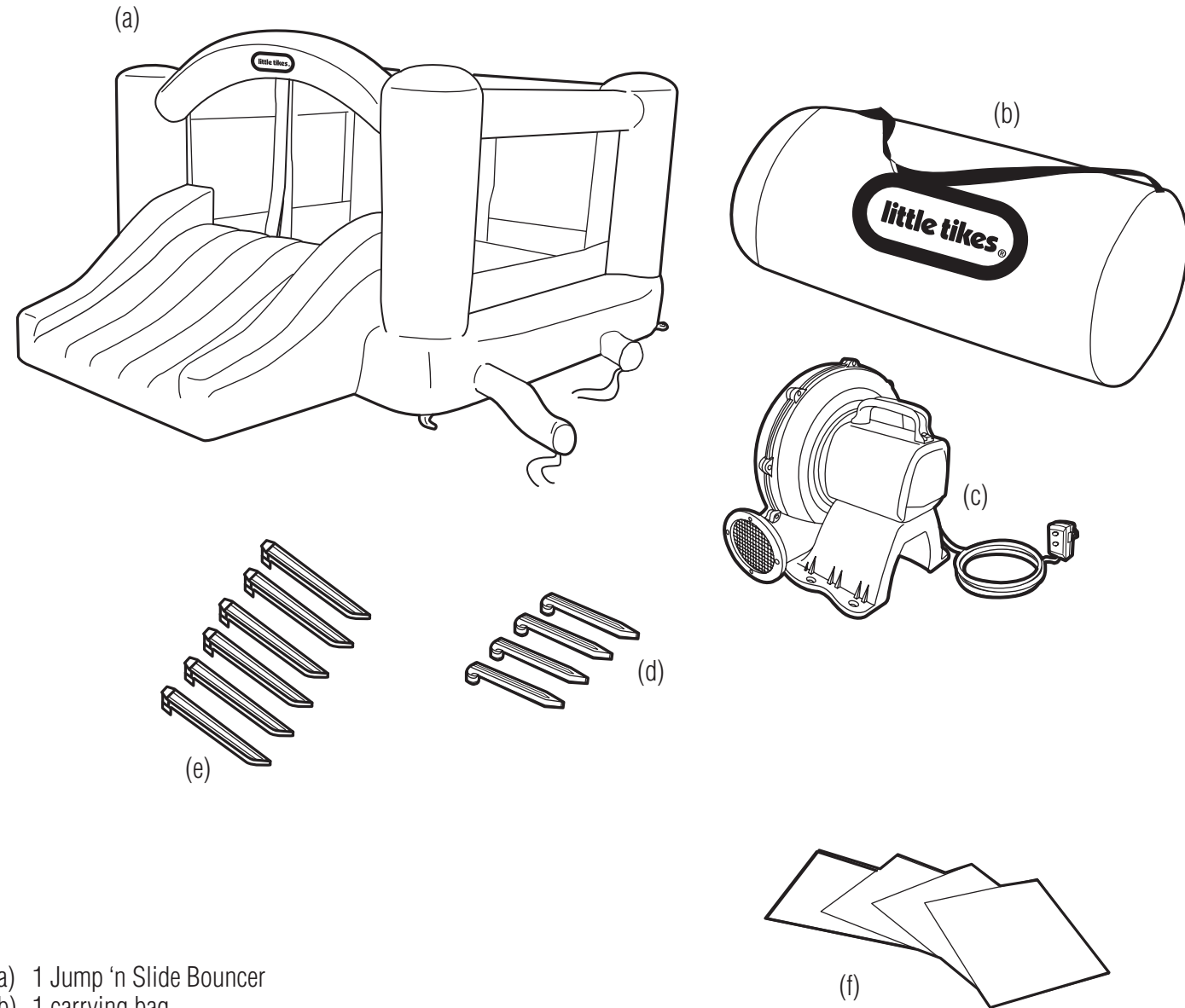


610998

## INTRODUCTION

This huge inflatable dry slide and play area measures 11.7 x 8.7 x 5.7 feet! With its tall, strong, inflatable walls, fun slides, play area, the Jump 'N Slide Bouncer provides tons of sliding fun, while the heavy duty blower maintains a continuous air flow! It's the perfect play area for the Little Tikes™ in your life!

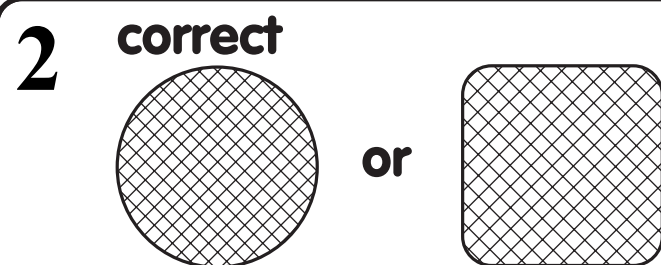
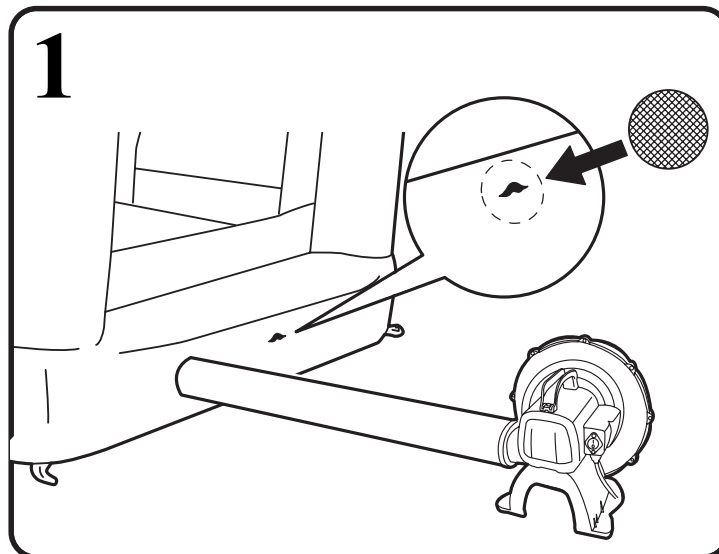
## CONTENTS



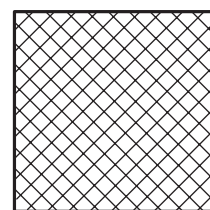
- (a) 1 Jump 'n Slide Bouncer
- (b) 1 carrying bag
- (c) 1 blower with GFCI plug
- (d) 4 blower stakes
- (e) 6 stakes
- (f) 1 repair kit

## Repair Kit Instructions

**WARNING: NOT A TOY. ADULT USE ONLY.**  
Repair kit. Keep away from children



**incorrect**



**WARNING:** Repair patches must be applied by an adult only. KEEP OUT OF REACH OF CHILDREN.

### REPAIR PATCH INSTRUCTION

1. Deflate the item, clean the damaged area and allow it to dry thoroughly.
2. Cut a portion of the patch allowing to the size needed and round the corners. (See Fig. 1 & 2).
3. Remove the adhesive backing from the patch material, position the patch over the damaged area and smooth out any bubbles.
4. Allow to sit for 30 minutes before re-inflating.

## Maintenance

- As an outdoor product the inflatable is subject to wear and deterioration. Inspect for signs of fabric failure; weak or torn surfaces must be repaired promptly.
- Product should never be stored wet. Allow to dry before rolling up.
- Surface washable only.

## Disposal

- Disassemble and dispose of the equipment in a safe manner so as not to produce hazardous conditions.
- Blower should be returned to a collection center capable of processing electrical/electronic waste.

## Instructions for Blower Maintenance

- Blower must be unplugged before servicing.
- Product should be periodically examined for potentially unsafe conditions such as damaged cord, plug, housing, or parts, and in the event such damage is found, the product should not be used until properly repaired.
- The blower does not require any lubrication and has no user serviceable parts. Do not attempt to service the blower.
- Do not immerse the blower in water. To clean, wipe with a damp cloth.
- Regularly inspect the intake and output openings and keep free of dirt, leaves, etc.
- When not in use, store the blower indoors in a dry place.
- Store the blower upright on a stable surface.
- Loosely coil the cord and place it beside the blower.
- When in use, do not place the cord across traffic areas, water or damp area.
- The blower is a high volume blower, and is capable of moving large volumes of air very quickly. Place the blower in an area where it will not draw in dirt or leaves.

## SAFETY WARNINGS: ELECTRICAL BLOWER

**DO NOT IMMERSE IN WATER OR USE NEAR OR IN CONTACT WITH WATER.**

**FAILURE TO FOLLOW THESE INSTRUCTIONS COULD RESULT IN SERIOUS INJURY OR DEATH. ADULT SET-UP AND SUPERVISION REQUIRED.**

**BLOWER SPECIFICATIONS: MODEL: W-2L**  
**ELECTRICAL RATING: 115V AC, 60HZ, 3.8A, 437W**  
Specifications may change without notice.



**LISTED**  
**E230679**

**CAUTION:** The blower is a high volume blower, and is capable of moving large volumes of air very quickly. Place the blower in an area where it will not draw in dirt or leaves. Keep the blower and power cord away from children, pets, bodies of water, pools, spas, and traffic.

### INSTRUCTIONS FOR BLOWER INSTALLATION AND OPERATION

**NOTE:** Set up as close to the power source as possible. The product should be periodically examined for potentially unsafe conditions such as: damaged cord, plug, housing or parts, and in the event such damage is found, the product should not be used until properly repaired. Never leave the blower outside in the rain or exposed to the elements when not in use. When in use, do not place the cord across traffic areas, water or damp areas. The blower should be placed on a stable surface and anchored per product instructions. The power cord of the blower is equipped with a Ground Fault Current Interrupter (GFCI) plug.

- 1) Make sure that power switch of the blower is in the "OFF" position. Plug the blower into a properly grounded outlet.
- 2) If the GFCI has been tripped, press the "RESET" button to restore power to the blower.
- 3) Set the power switch of the blower to "ON" to inflate. After use, turn the power to "OFF".
- 4) To disconnect the plug, have an adult grip it tightly and pull it from the wall outlet.

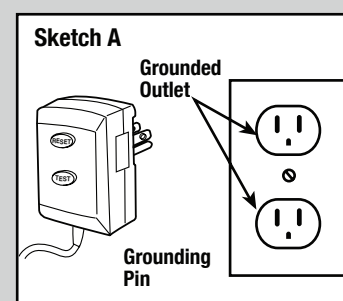
### WARNING:

- Adult installation and supervision required.
- This blower is for residential use only. It is not intended to be used in commercial or industrial settings.
- Never insert fingers, pencils or any other object through the grill at ANY time.
- Do not operate blower with a damaged cord or plug.
- Do not operate in the presence of explosive and/or flammable fumes.
- Never connect the blower to any solid – state speed control device.
- Do not use extension cords.
- Always unplug the blower before servicing.

### INSTRUCTIONS FOR BLOWER CLEANING AND STORAGE

Do not immerse the blower in water. Unplug the blower before cleaning. To clean: wipe with a damp cloth. The blower does not require any lubrication and has no user serviceable parts. Do not attempt to service the blower. When not in use, store the blower indoors in a dry place. Store the blower upright on a stable surface. Loosely coil the cord and place it beside the blower.

### GROUNDING METHODS



### USE ONLY ON GROUNDED OUTLETS

**CAUTION**

#### GROUNDING INSTRUCTIONS FOR ALL GROUNDED, CORD-CONNECTED PRODUCTS

This product is for use on a nominal 120 Volt, 15 Ampere supply circuit, with grounded outlets (sketch A) wired in accordance with all local electrical codes and ordinances. Make sure that the circuit is not overloaded while the blower is in operation. If the outlet is dissimilar to the one illustrated in the sketch, do not try to use temporary adapters, or modify the plug. Do not use the product until a properly grounded outlet is installed by a qualified electrician.

## SAFETY WARNINGS: SETUP

**ADULT SETUP REQUIRED. Falls on hard surfaces could result in head or other serious injuries. Never install on concrete, asphalt, packed earth or other hard surfaces.**

- Intended for outdoor domestic family use only. Not for use in public areas or as a rental.
- Product is heavy. Use caution when lifting.
- Product should never be dragged across concrete, pavement or other rough surfaces.
- Keep fabric away from flame or heat sources.
- Do not set up in windy or rainy conditions: sudden gusts of wind may lift the product off of the ground.
- Product can be installed in any orientation in relation to the sun, since there are no metal components or surfaces that can absorb excessive solar radiation.
- Set-up in outdoor location only that meets the following criteria:
  - Place on level ground on grass or earth to allow proper use of stakes.
  - Placing on slanted or uneven surfaces may cause product to tip.
  - Stakes should be placed at an angle for better anchorage, and should be driven under the ground to prevent tripping.

- Minimum clearance zones: place at least 6.6 ft (2m) away from any other interfering objects, such as fences, buildings, trees, overhead branches, laundry lines, electrical wires, or open bodies of water or sources of water.
- Make sure that area around the product is secure by adding safety barriers, if necessary, to keep young children and pets from gaining access.
- Install all attachments and ballasts supplied with this product.
- Do not use extension cords with the blower. Set-up as close to the power source as possible. Blower must be securely anchored to the ground before use.
- CAUTION: the blower is capable of moving large volumes of air very quickly. Place the blower on an area where it will not draw dirt or leaves. Keep blower and power cord away from children, water and traffic.
- ATTENTION: Blower must remain ON and continuously inflate during use. Air flow through seams is normal. Do not try to seal or repair seams. Product should be fully inflated before children are allowed to play.

## SAFETY WARNINGS: USAGE

**ADULT SUPERVISION REQUIRED. NEVER LEAVE CHILDREN UNATTENDED.**



Maximum number of children: 3



Total weight limit: 250 lb (113 kg)



Maximum individual height: 5 Ft. 152 cm



Adult supervision required. Do not leave children unattended.



Age



No sharp objects.



No shoes, no glasses.



No flipping.



Do not slide head first.



No wrestling.



No hands or feet on net.



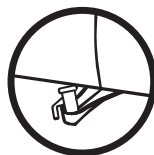
Do not use in windy conditions.



Do not leave out in rain.

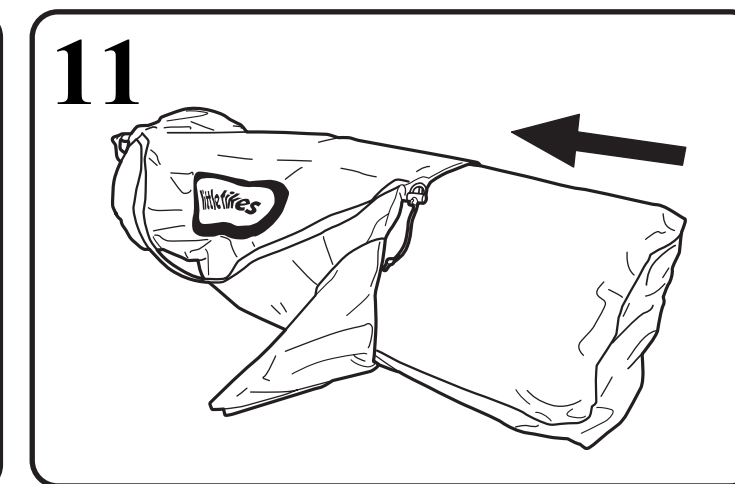
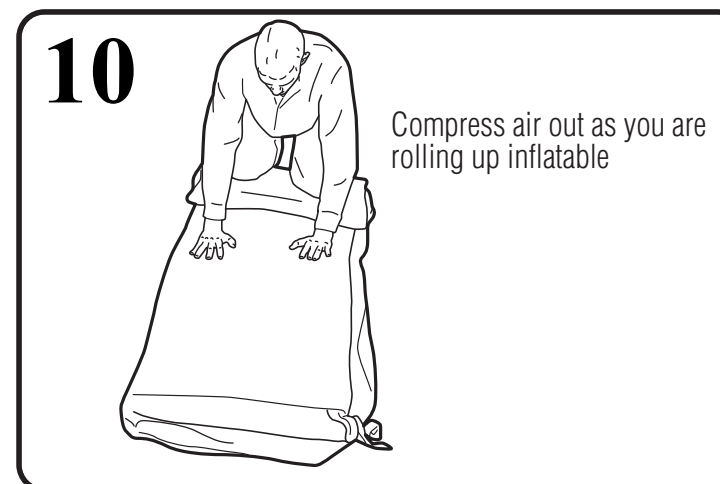
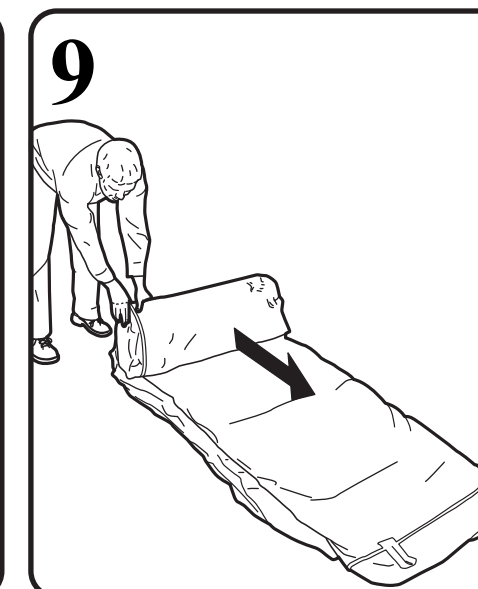
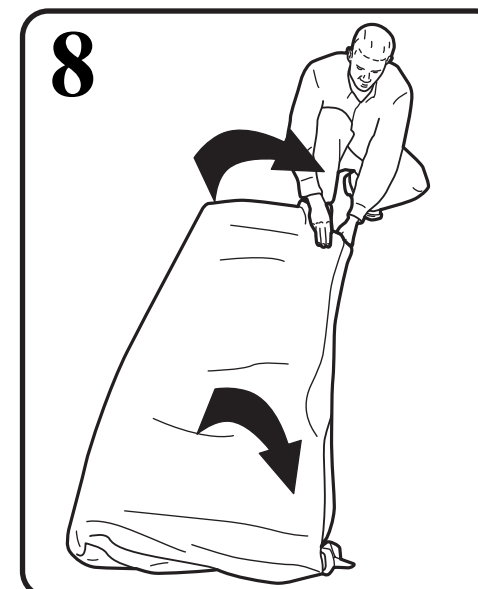


Do not allow children to touch fan or electrical cord.



Must be anchored using stakes.

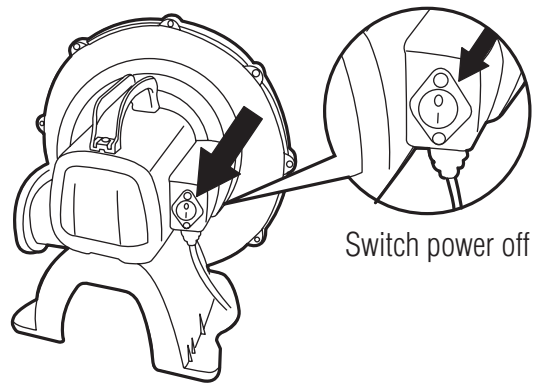
- Constant, competent adult supervision of children and other young users is required at all times.
- Keep the area around the product clean, and clear of objects, to prevent slips and falls.
- Instruct children on the proper use of this product:
  - Children should not wear loose or baggy clothing, scarves, hoods or clothing with drawstrings.
  - Children must remove helmets, headgear, shoes and glasses, as well as any sharp objects from their pockets, as they may puncture the bouncing surfaces.
  - Children should never be allowed to bring toys or other objects, while playing with the inflatable.
  - Children should never attach items, such as jump ropes, clothesline, pet leashes, cables and chains, as they may cause a strangulation hazard.
  - Keep pets away from product.
  - Children should bounce away from others, and stay away from openings and side walls.
  - Children must not jump onto or off the product.
- Do not let children play together who are unevenly matched in weight and height.
- Only one child at a time is allowed on each climber and slide.
- Children must not slide down head first or on their stomach.
- Do not let children walk on the side where blower motor is attached.
- Always dry product before storage.
- Never use product as a flotation or life saving device.
- Always check the product and all its anchorage points during use, and re-secure, as appropriate. Always check for excessive air loss, and re-inflate before allowing play to continue.
- As an outdoor product, this inflatable is subject to wear and deterioration. Keep product properly maintained and watch for signs of fabric failure. Weak or torn surfaces must be repaired promptly.
- If product contains a pool:
  - Never dive or jump into the pool area.
  - Do not sit on the edges of the pool as flooding it may occur.
  - Always drain product after use. Do not leave inflated or full of water overnight.
  - Keep the pool area clean to prevent illness. Instruct all children never to drink pool water and to practice good hygiene.





## Deflation & Storing

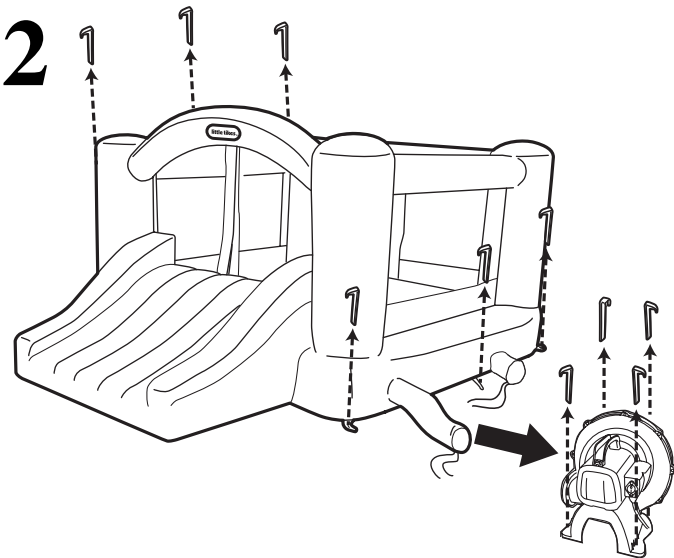
1



Switch power off

Turn off the blower motor and unplug it from the outlet.

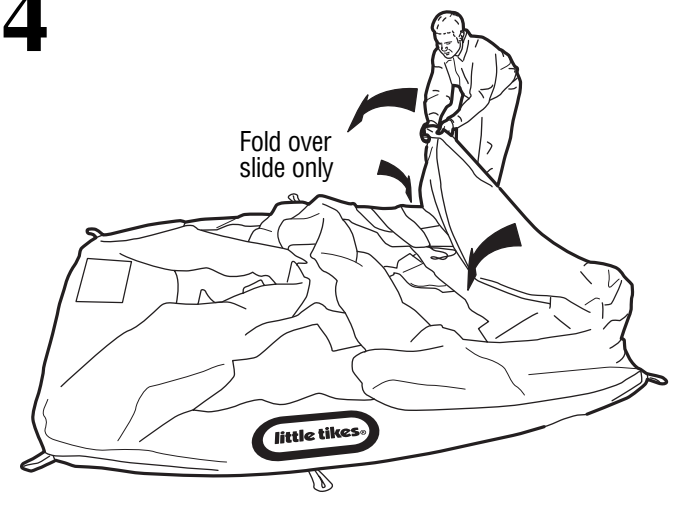
2



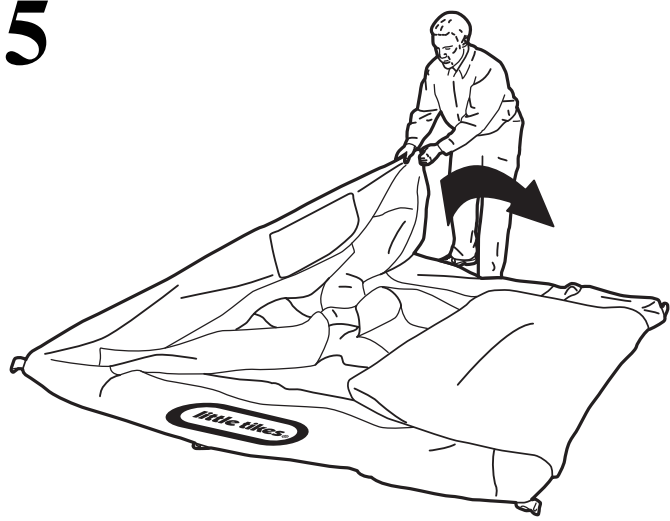
3



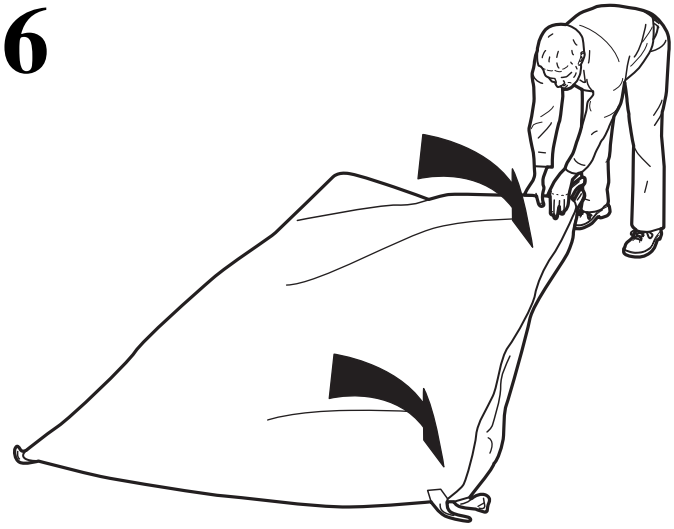
4



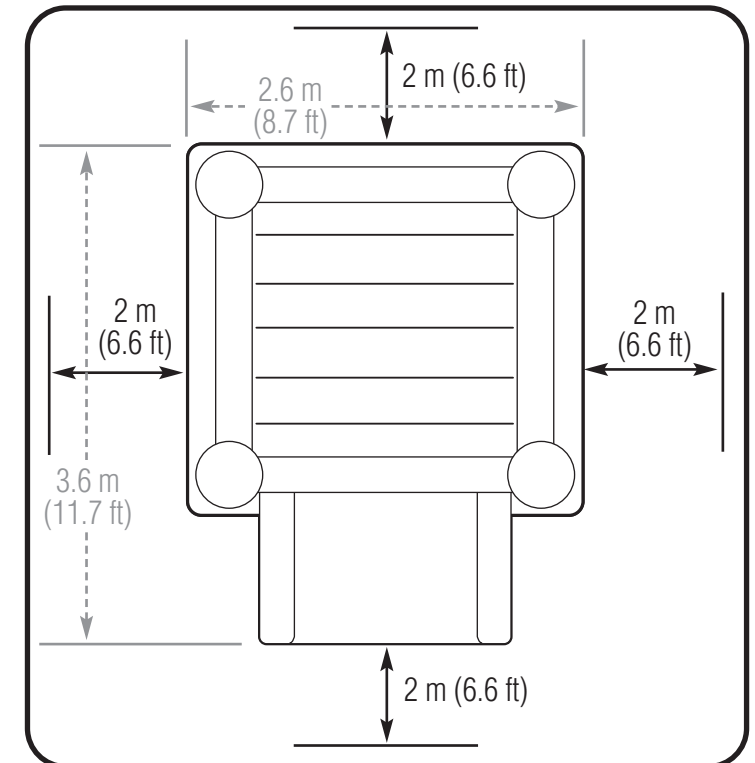
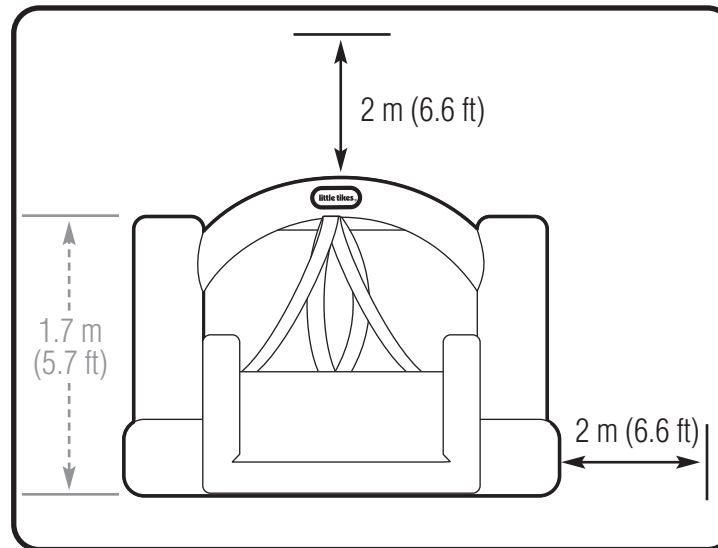
5



6



## Minimum Clearance Zones



### MINIMUM CLEARANCE ZONES

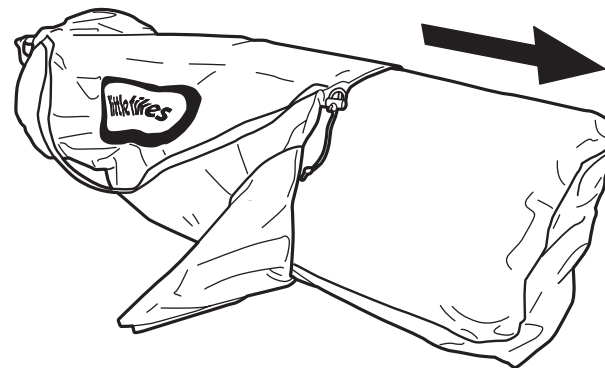
Make sure that there is a 2 m (6.6 ft) obstacle-free zone around the product, including the slide and overhead.

### INFLATABLE SIZE:

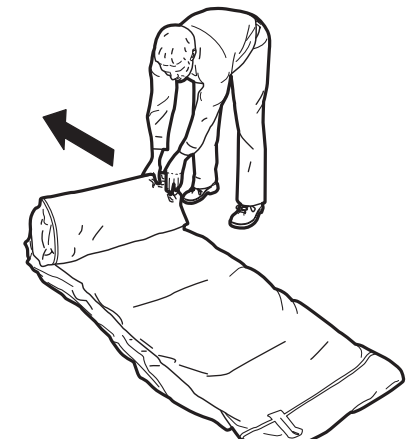
11.7W x 8.7D x 5.7H feet (3.6 x 2.6 x 1.7m)

## Set-up

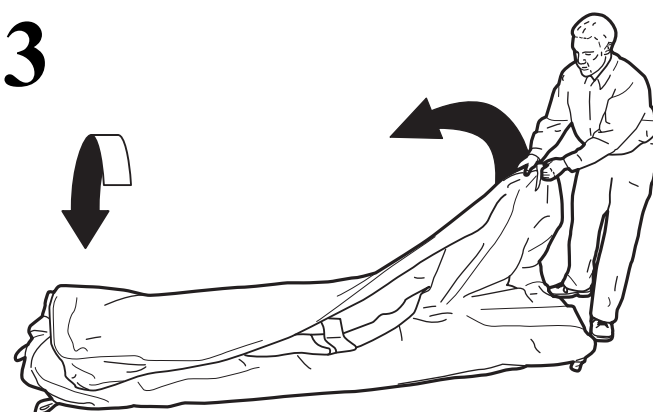
1



2

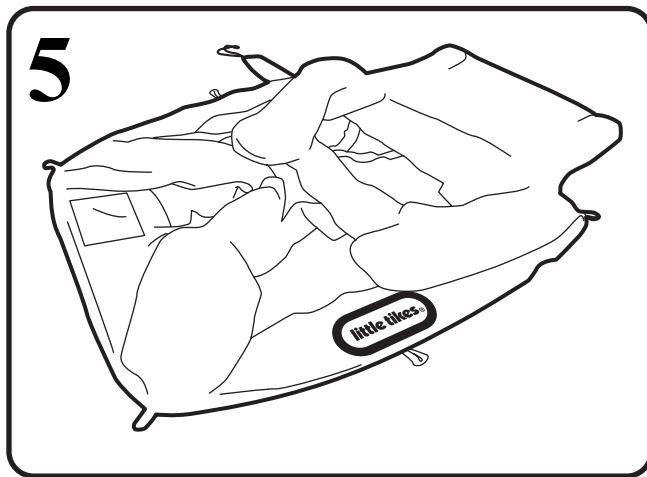


3



4

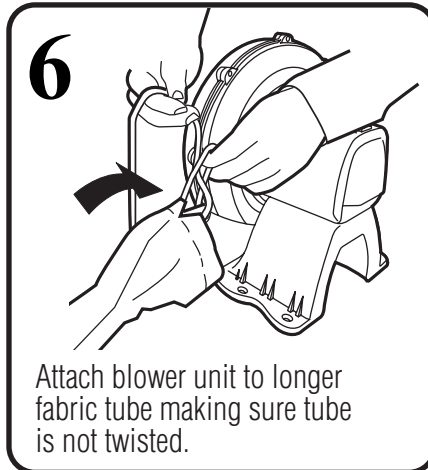




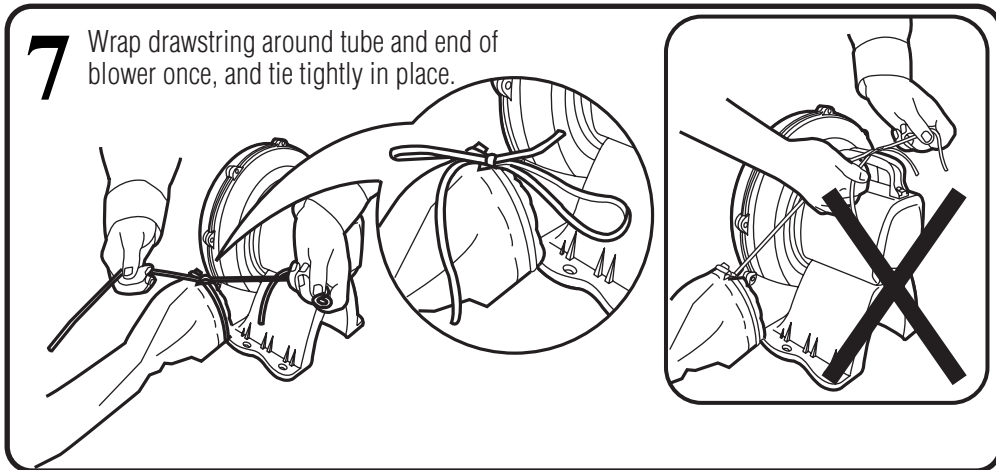
**CAUTION: Heed all signs and warning labels on the blower motor.**

**⚠ BLOWER CAUTIONS:**

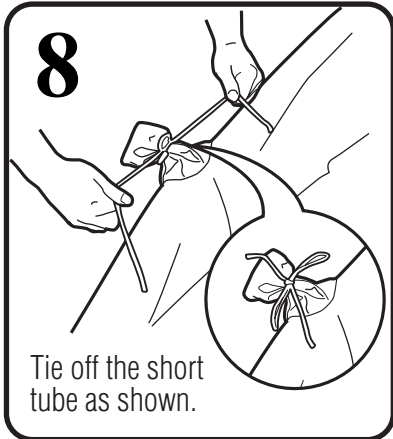
- Do not open or try to service the blower. If blower needs servicing, take it to a reputable dealer.
- Clearly mark the path of the power cord to avoid tripping and/or damage by yard equipment such as lawn mowers, etc.
- Do not leave the blower unattended.
- Do not allow blower to be used or played with by children.
- Do not cover the air intakes when the blower is being used and do not insert small objects into any part of the blower.
- **WARNING** - Electrocutation Hazard - DO NOT USE EXTENSION CORDS WITH THIS PRODUCT.
- Disconnect the blower from the power source and Water Slide when moving the slide.
- **WARNING** - To reduce the risk of fire or electric shock, do not use this blower with any solid - state speed control device.
- The blower should be securely staked to the ground before use.



Attach blower unit to longer fabric tube making sure tube is not twisted.



**7** Wrap drawstring around tube and end of blower once, and tie tightly in place.



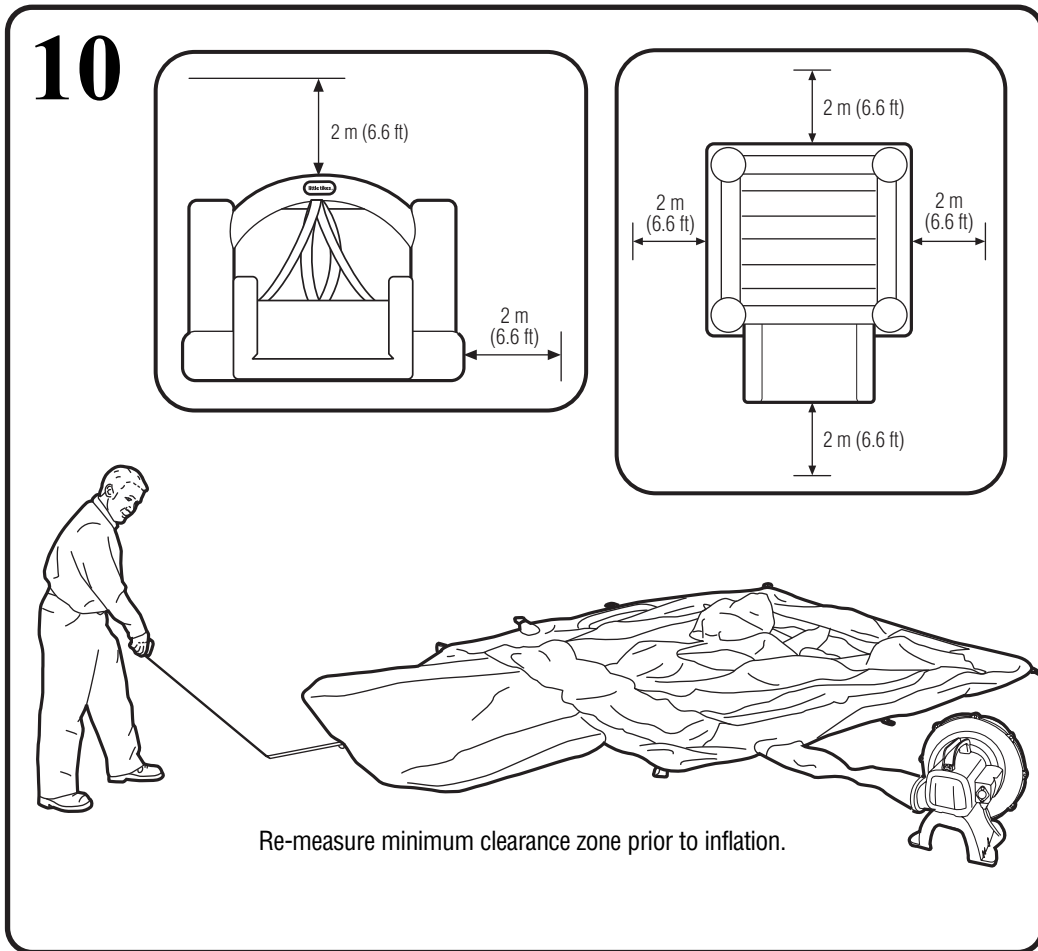
Tie off the short tube as shown.



- Test the Blower AC Adapter:
1. Plug GFCI into receptacle.
  2. Press reset button.
  3. Press test button.
  4. Press reset button to us product. Do not use if the button fails to disable Blower.



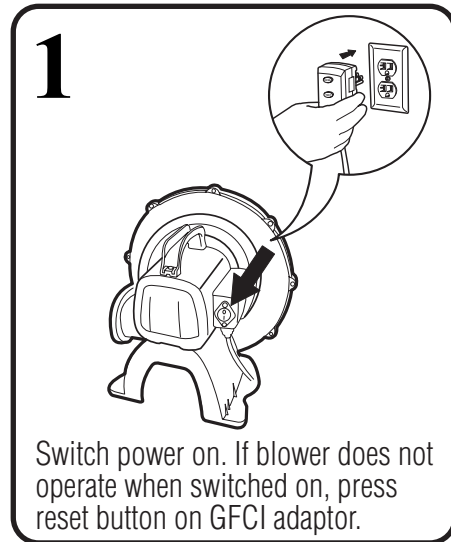
**WARNING:** If the blower remains ON when the "test" button is pushed, the unit is NOT working properly. DO NOT USE THE UNIT. Take the unit to a certified electrician immediately.



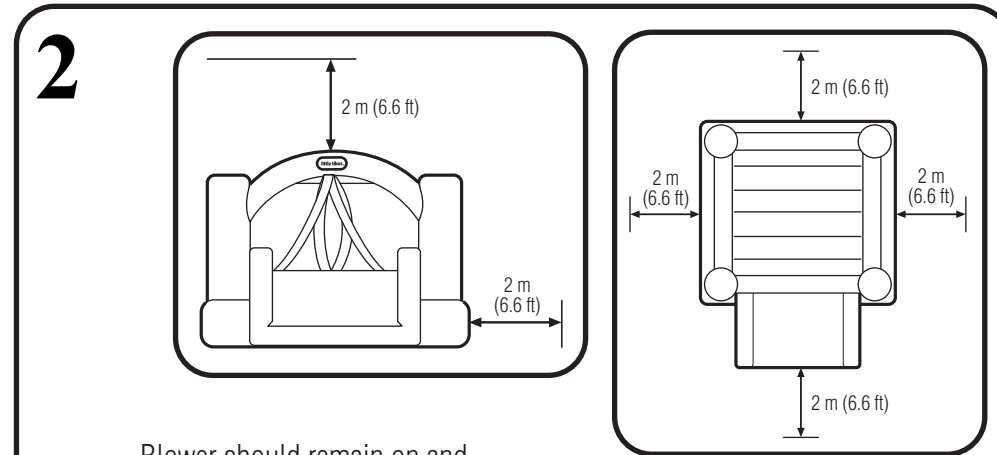
**10**

Re-measure minimum clearance zone prior to inflation.

## Inflation & Staking

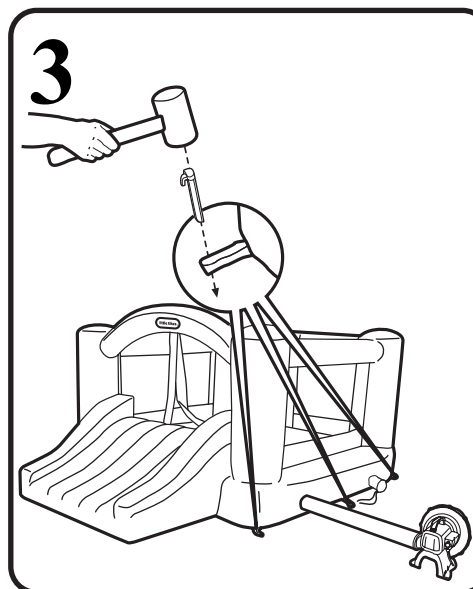
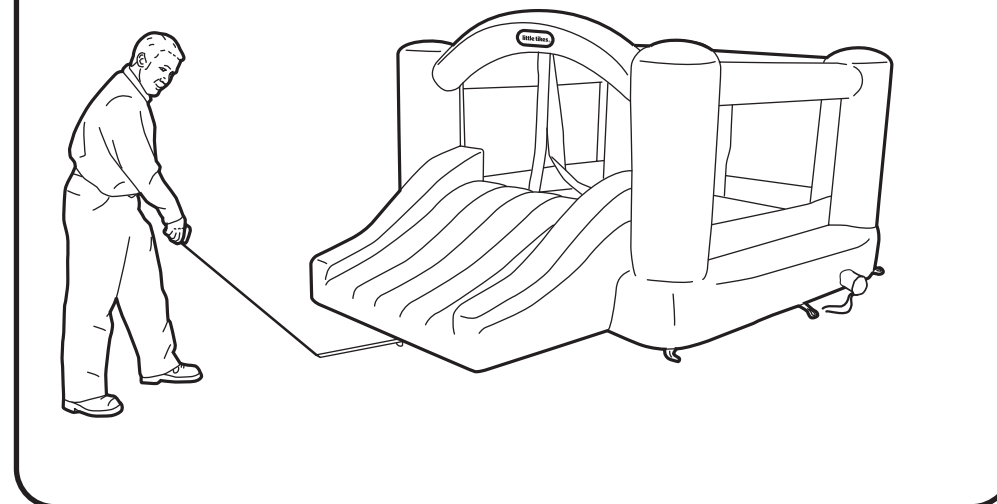


**1** Switch power on. If blower does not operate when switched on, press reset button on GFCI adaptor.

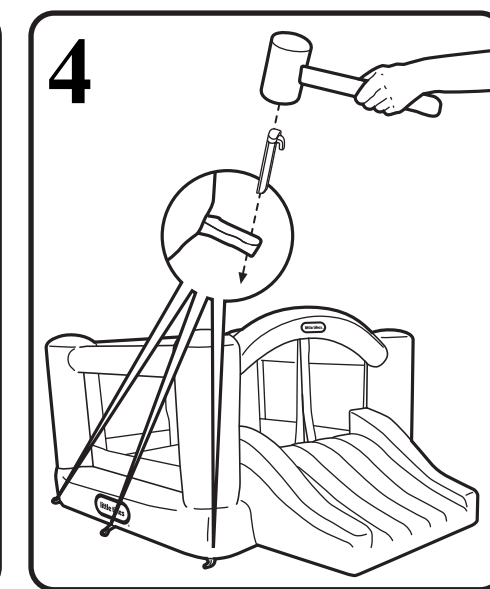


**2**

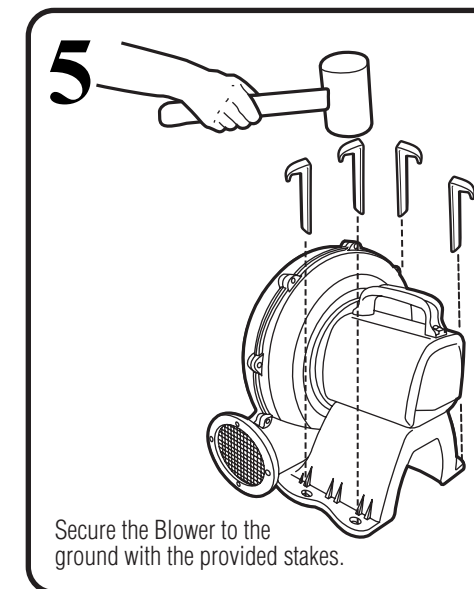
Blower should remain on and continuously inflate bouncer during use. Airflow through seams is normal. Do not try to seal or repair seams. NOTE: Dispose of tissue paper packed inside bouncer after inflation.



**3**



**4**



**5**

Secure the Blower to the ground with the provided stakes.