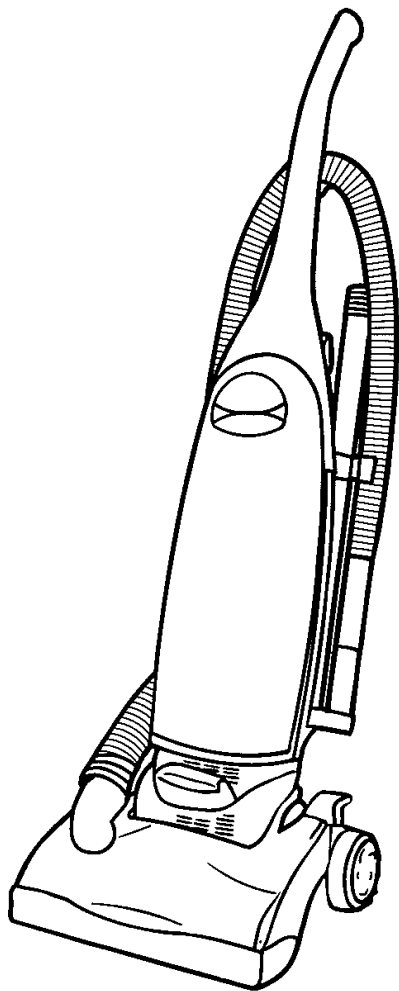


# Dirt Devil®

## OWNER'S MANUAL Operating and Servicing Instructions



- Please read these instructions carefully before using your cleaner.
- Let us help you put your vacuum together or answer any questions, call:

**1-800-321-1134**  
**(USA & Canada)**  
**www.dirtdevil.com**

---

### Warranty Registration

- Online at: [www.dirtdevil.com](http://www.dirtdevil.com)
- Phone: 1-800-321-1134
- Mail: Royal Appliance Mfg  
7005 Cochran Rd.  
Glenwillow, Ohio 44139

### **⚠ WARNING:**

Cleaner assembly may include small parts. Small parts can present a choking hazard.

For quick reference, please record your vacuum information below.

Model #: \_\_\_\_\_

Mfg. Code: \_\_\_\_\_

(Mfg. code located on the lower backside of cleaner)

**THIS CLEANER IS INTENDED FOR HOUSEHOLD USE ONLY.**

## **IMPORTANT SAFETY INSTRUCTIONS**

When you use an appliance, basic precautions should be followed, including the following:

- **READ ALL INSTRUCTIONS BEFORE USING THE APPLIANCE.**
- **ALWAYS FOLLOW THESE SAFETY INSTRUCTIONS.**
- **BRING CLEANER TO UPRIGHT POSITION WHEN USING THE HOSE AND ATTACHMENTS.**
- **DO NOT LEAVE CLEANER UNATTENDED WHEN PLUGGED IN.**
- **WARNING: DO NOT USE SHARP OBJECTS TO CLEAN OUT THE HOSE SINCE THEY COULD CAUSE DAMAGE.**
- **OCCASIONALLY REMOVE BRUSH AND CLEAN DEBRIS FROM END CAPS TO KEEP BRUSH ROTATING SMOOTHLY.**
- **WARNING: THE CORDS, WIRES, AND/OR CABLES SUPPLIED WITH THIS PRODUCT CONTAINS CHEMICALS, INCLUDING LEAD OR LEAD COMPOUNDS, KNOWN TO THE STATE OF CALIFORNIA TO CAUSE CANCER AND BIRTH DEFECTS OR OTHER REPRODUCTIVE HARM. WASH HANDS AFTER USING.**

**READ ALL INSTRUCTIONS BEFORE USING THE APPLIANCE.**

### **WARNING: TO REDUCE THE RISK OF FIRE, ELECTRIC SHOCK OR INJURY:**

- Do not leave appliance when plugged in. Unplug from outlet when not in use and before servicing.
- Do not use outdoors or on wet surfaces. Electrical shock could occur.
- Do not allow to be used as a toy. Close attention is necessary when used by or near children.
- Use only as described in this manual. Use only manufacturer's recommended attachments.
- Do not use with damaged cord or plug. If appliance is not working as it should, has been dropped, damaged, left outdoors, or dropped into water, return it to a service center for inspection. Call 1-800-321-1134 for the nearest service center.
- Do not pull or carry by cord, use cord as handle, close a door on cord, or pull cord around sharp edges or corners. Do not run appliance over cord. Keep cord away from heated surfaces.
- Do not unplug by pulling on cord. To unplug, grasp the plug, not the cord.
- Do not handle plug or appliance with wet hands.
- Do not put any objects into openings. Do not use with any opening blocked; keep free of dust, lint, hair, and anything that may reduce air flow.

- Keep hair, loose clothing, fingers, and all parts of body away from openings and moving parts.
- Do not pick up anything that is burning or smoking, such as cigarettes, matches, or hot ashes.
- Do not use without dust bag or filters in place.
- Turn off all controls before unplugging.
- Use extra care when cleaning on stairs.
- Do not use to pick up flammable or combustible liquids, such as gasoline, or use in areas where they may be present.
- Keep the vacuum cleaner on the floor. Only the hand-held vacuum cleaners may be set on furniture.
- Cleaner must be in the upright position to lift the rotating brush off the carpet when doing above floor cleaning.
- Do not use an extension cord with this vacuum cleaner.
- Store the vacuum cleaner indoors. Put the vacuum cleaner away after use to prevent tripping accidents.
- Using improper voltage may result in damage to the motor and possible injury to the user. Proper voltage is listed on the cleaner plate.

## SAVE THESE INSTRUCTIONS

### WARNING:

To reduce the risk of electric shock, this appliance has a polarized plug (one blade is wider than the other). This plug will fit in a polarized outlet only one way. If the plug does not fit fully in the outlet, reverse the plug. If it still does not fit, contact a qualified electrician to install the proper outlet. Do not change the plug in any way.

If the vacuum motor shuts off - Turn off the main power switch and unplug the cord from the outlet. Inspect inlets for possible clogs and check to see if the bag needs to be replaced. After approximately 30 minutes of cooling the vac motor protector should automatically reset and the cleaner should be ready to use again. If the vacuum motor still does not operate, call 1-800-321-1134.  
**NOTE:** *the cleaner must remain unplugged during the 30 minute cooling period.*

## CONGRATULATIONS

**You are now the proud owner of a Dirt Devil®. We trust your new purchase will bring you many years of satisfaction.**

**Our company designed and developed this product with you in mind.**

**We are very proud of our products and hope that you are equally satisfied with their quality and performance.**

**Thank you for your support of Dirt Devil® products.**

## TABLE OF CONTENTS

Safety Instructions.....	Page 2, 3
Feature Descriptions.....	Page 5
How to Assemble.....	Page 6
Body to Nozzle Assembly.....	Page 6
Tool Caddy Assembly.....	Page 6
Handle to Body Assembly.....	Page 6
How To Operate.....	Page 7, 8
Floor/Carpet Cleaning.....	Page 7
Above Floor Cleaning.....	Page 8
Paper Bag: Removal and Replacement.....	Page 9
Belt or Brush: Removal & Replacement.....	Page 10
Lightbulb: Removal and Replacement.....	Page 11
General Maintenance.....	Page 11
Troubleshooting Guide.....	Page 12

## LIMITED WARRANTY

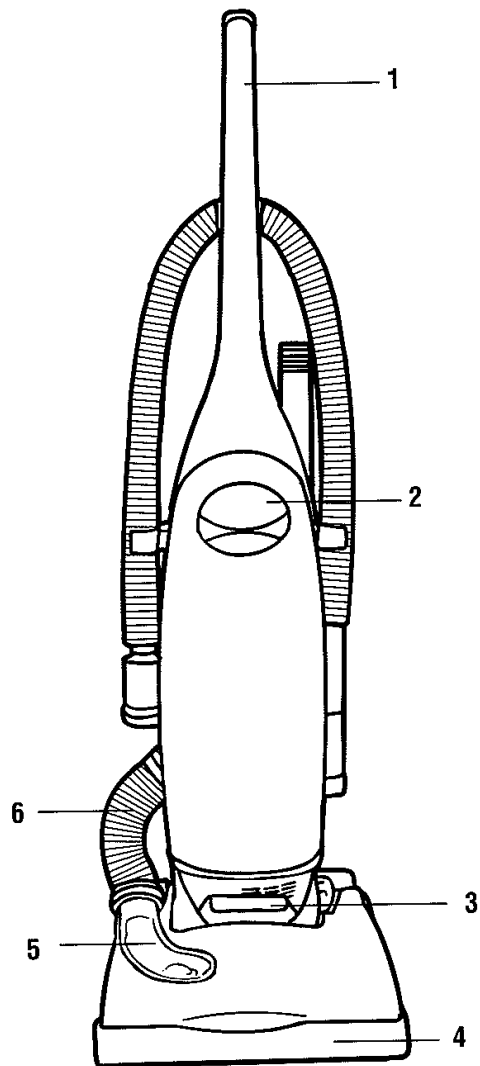
To the consumer, Royal Appliance Mfg. Co. warrants this vacuum cleaner to be free of defects in material or workmanship commencing upon the date of the original purchase. Refer to your vacuum cleaner carton for the length of warranty and save your original sales receipt to validate start of warranty period.

If the vacuum cleaner should become defective within the warranty period, we will repair or replace any defective parts free of charge. The complete machine must be delivered prepaid to any ROYAL® Authorized Sales & Warranty Service Station. Please include complete description of the problem, day of purchase, copy of original sales receipt and your name, address and telephone number. If you are not near a Warranty Station, call the factory for assistance at USA & Canada: 1-800-321-1134. Use only genuine Royal® replacement parts.

The warranty does not include unusual wear, damage resulting from accident or unreasonable use of the vacuum cleaner. This warranty does not cover brushes, bags, flat belts, filters and bulbs. This warranty does not cover unauthorized repairs. This warranty gives you specific legal rights and you may also have other rights (Other rights may vary from state to state in the USA).

# FEATURES

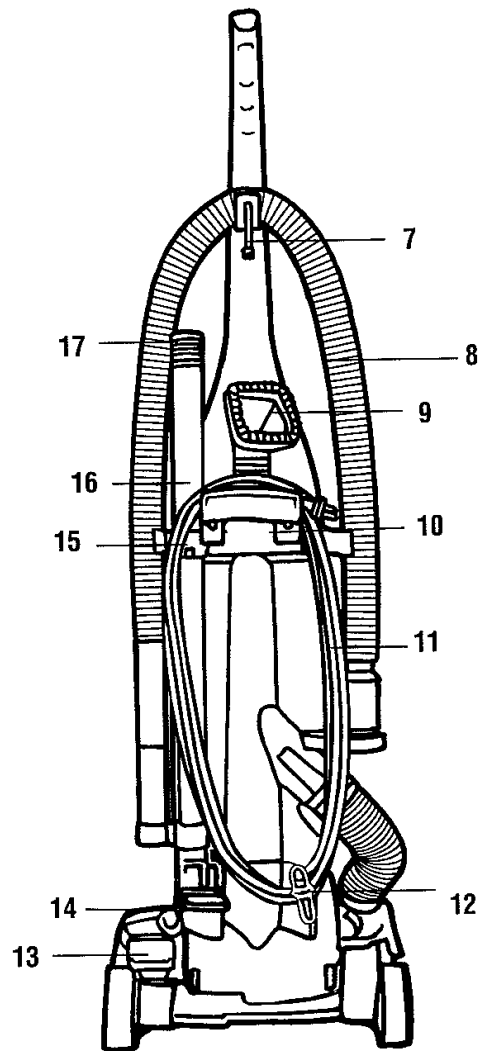
**FRONT VIEW**



**FRONT VIEW**

1. Handle
2. Front Panel Release Handle
3. Headlight
4. Bumper
5. Clear Dirt Window
6. Lower Hose

**BACK VIEW**

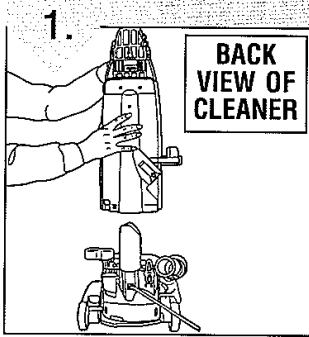


**BACK VIEW**

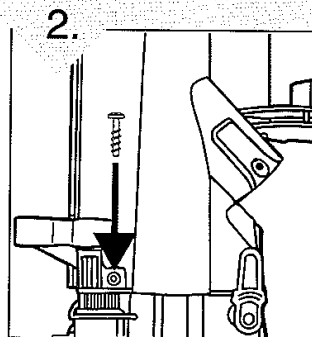
7. Cord Guide
8. Hose
9. 2-in-1 Tool-Dust Brush / Upholstery Tool
10. Carrying Handle/Upper Cord Wrap
11. Long Power Cord
12. Cord Wrap with Quick Cord Release
13. Handle Release Pedal
14. On/Off Pedal
15. Cord Guide
16. Extension Wand
17. Crevice Tool (located inside Extension Wand)

## HOW TO ASSEMBLE BODY TO NOZZLE

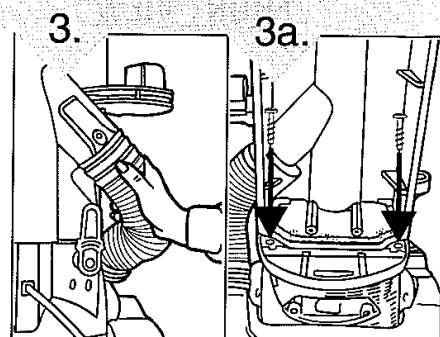
TOOL REQUIRED: PHILLIPS OR FLAT HEAD SCREWDRIVER



Assemble the body to the base so that the lower hose inlet is on the right side.

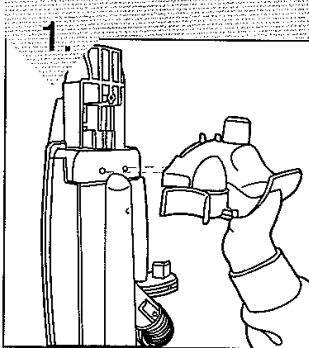


To secure, insert one (1) screw into the back of the cleaner, above the on/off switch.

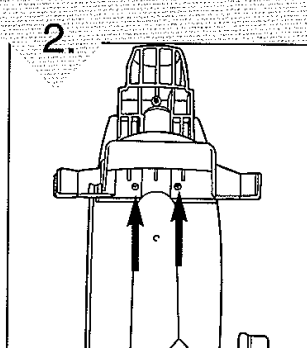


Push hose up into hose inlet until pin locks into pin-hole (Diagram 3). Turn cleaner around and insert the two (2) screws into holes on either side of filter pad (Diagram 3a). Tighten to secure.

## HOW TO ASSEMBLE TOOL CADDY

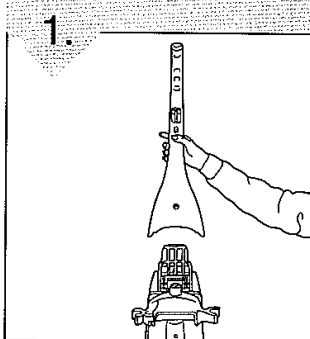


Align Tool Caddy holes with holes on back panel.

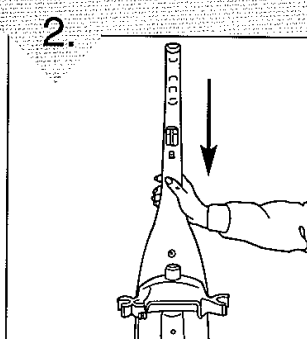


Insert two (2) screws into the holes and tighten until secure.

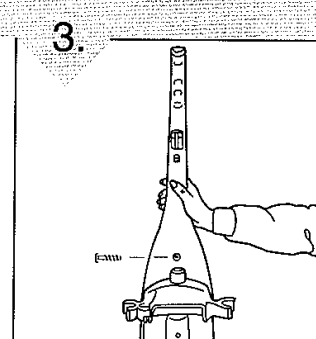
## HOW TO ASSEMBLE HANDLE TO BODY



Place upper handle onto upright.



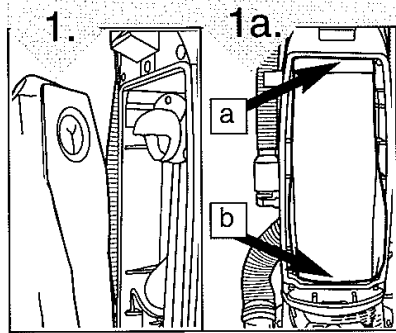
Push upper handle down onto upright.



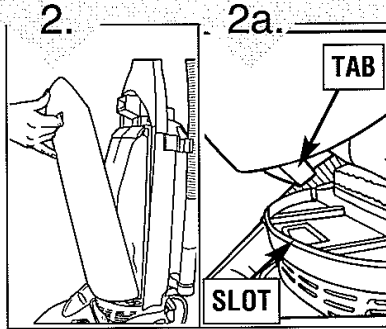
Insert one (1) screw into the back of the cleaner to secure handle.

# HOW TO ASSEMBLE

## ATTACH BAG AND FRONT PANEL

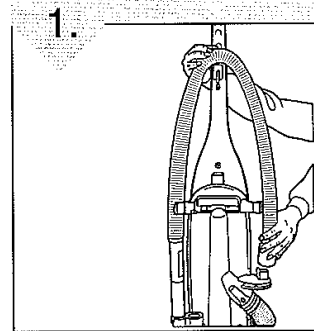


Grip cardboard collar and push onto dirt tube (Diagram 1). **NOTE:** (Diagram 1a) Make sure the top of the bag is tucked into the bag chamber (a) and the bottom of the bag is tucked under (b).



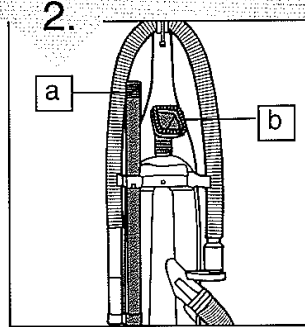
Attach front panel (Diagram 2). **NOTE:** Make sure the tab on the bottom of the front panel goes into the slot located on the front of cleaner (Diagram 2a).

## HOSE ASSEMBLY



1. Insert the long end of the hose (hose wand) into the tool caddy on the left side. Insert the short end of the hose onto the tool caddy holder on the right side.

## TOOL STORAGE



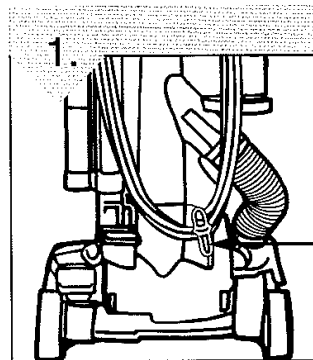
2. Attach tools: (a) Slide the extension wand/crevice tool into round slot on the left side of back. (b) Slide the 2-in-1 tool onto post on the back panel with bristles facing out.

# HOW TO OPERATE

**CAUTION:** Brush agitator continues to rotate while hose is removed or in use and at all times while cleaner is on. Keep hair, loose clothing, fingers, and all parts of body away from brush area while cleaner is on.

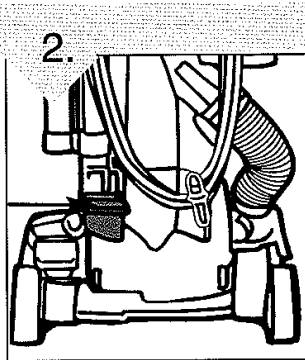
Cleaner must be in the upright position to lift the rotation brush off the carpet when cleaning above the floor.

## CORD RELEASE



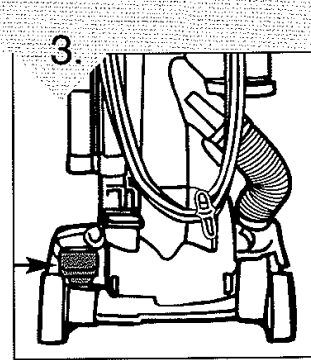
1. Turn the Quick Cord Release for easy cord removal. Store cord in cord guide (see Features - pg. 5) to keep cord out of the way when vacuuming.

## ON/OFF PEDAL



2. Plug cord into electrical outlet. Turn cleaner on by depressing foot pedal located on the back left side of the cleaner.

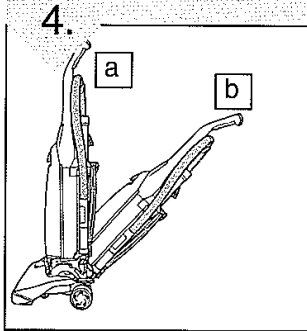
## HANDLE RELEASE PEDAL



3. To release the handle, push the handle release pedal located on the lower left side of the cleaner.

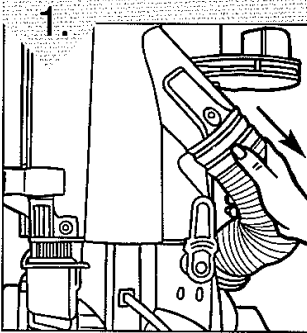
# HOW TO OPERATE CONTINUED

## FLOOR/CARPET CLEANING

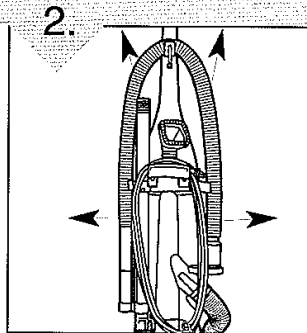


Move the handle and adjust it to the desired position for (a) storing the upright or above floor cleaning and (b) operating the cleaner. **NOTE:** Rotating brush could cause area rug fringe to become tangled within cleaner. Use caution when vacuuming throw rugs with fringe.

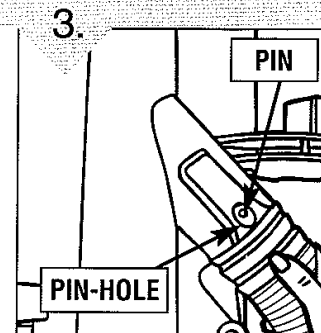
## ABOVE FLOOR CLEANING



Cleaner must be in its upright position. Remove lower hose from the side of the cleaner by depressing the button on the lower hose located on the back of the cleaner.



Remove the hose from the tool caddy.

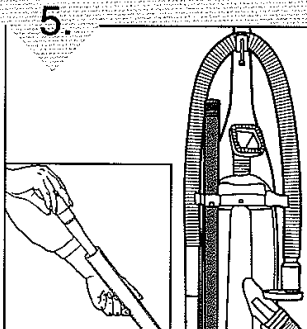


Slide the tool hose into the lower hose inlet until the pin locks into the pin-hole.

## EXTENSION WAND

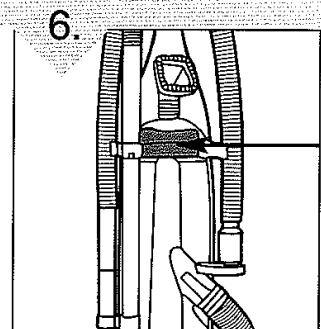


Choose any of the handy accessories or use the hose alone. Simply push the attachment firmly onto the end of the wand or hose handle. To remove tool, twist and pull apart gently.



If additional length is needed, use the extension wand. **NOTE:** The crevice tool is stored inside the extension wand. To use, pull crevice tool out of wand (inset) and place onto end of hose.

## CARRY HANDLE



Use the carry handle on the back of the cleaner to move the cleaner from room to room. **NOTE:** Do not push cleaner forward while leaning on back casters. Do not pull cleaner on back casters.

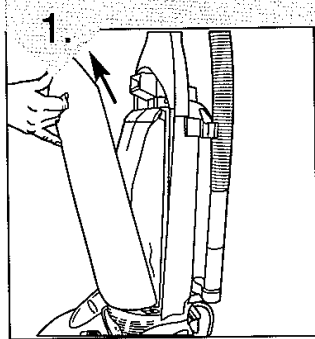
# PAPER BAG REMOVAL REPLACEMENT

**WARNING:** TO REDUCE THE RISK OF INJURY FROM MOVING PARTS - UNPLUG BEFORE SERVICING.

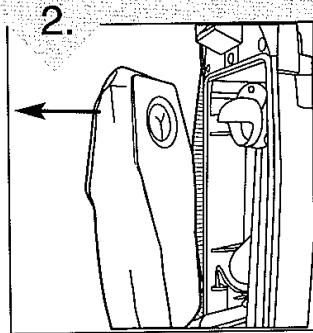
**NOTE:** Unplug cleaner before changing paper bag. Cleaner must have paper bag in place at all times. You can tell your bag needs replacing when you experience less suction.

## BAG TYPE U

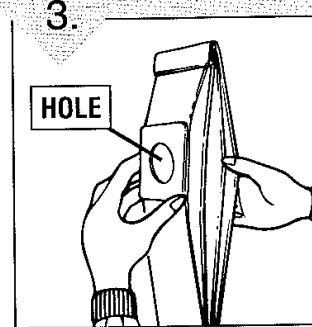
### REMOVE OLD BAG



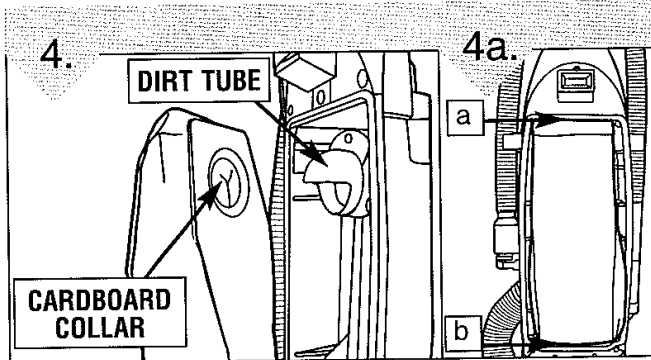
1. Pull handle up on front panel to remove.



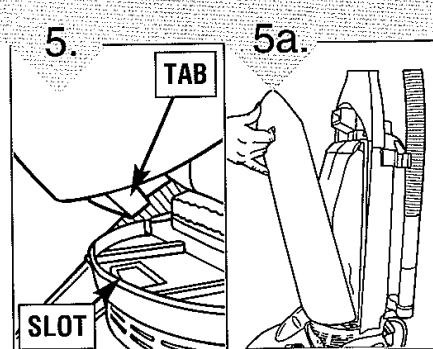
2. Grasp cardboard collar of paper bag with both hands and pull away from dirt tube.



3. **IMPORTANT:** Expand bag away from hole before installing. Press in opening to clear paper away from hole.



4. Grip cardboard collar and push onto dirt tube. **NOTE:** (Diagram 4a) Make sure the top of the bag is tucked into the bag chamber (a) and the bottom of the bag is tucked under (b).



5. Set aligning tab on bottom of front panel into rectangular slot on cleaner (Diagram 5). Push front panel forward until secure (Diagram 5a). **NOTE:** Be sure not to let the bag get caught between the front and back panel.

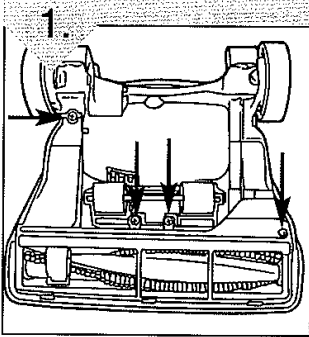
# BELT OR BRUSH ROLL REMOVAL & REPLACEMENT

TOOL REQUIRED: PHILLIPS SCREWDRIVER

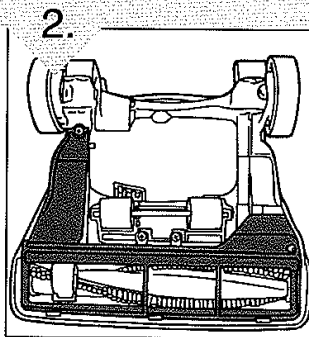
**WARNING:** TO REDUCE THE RISK OF INJURY FROM MOVING PARTS - UNPLUG CLEANER BEFORE CHANGING BELT OR BRUSHROLL.

## TO REMOVE BELT

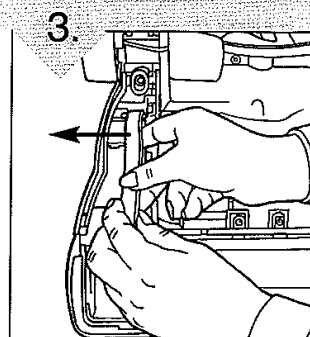
### BELT STYLE 5



Lay cleaner flat and flip cleaner to expose nozzle base. Base should lay flat and face up. To remove nozzle guard, use Phillips screwdriver to remove the four (4) screws. Arrows show location of screws.

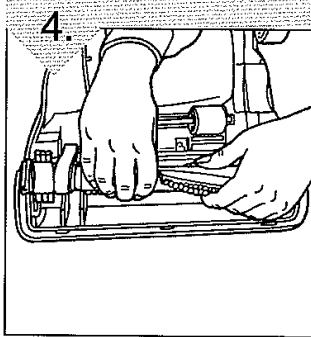


Lift nozzle guard off.

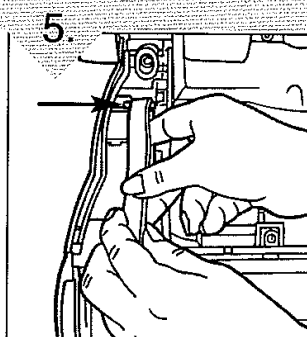


Slide belt off motor shaft.

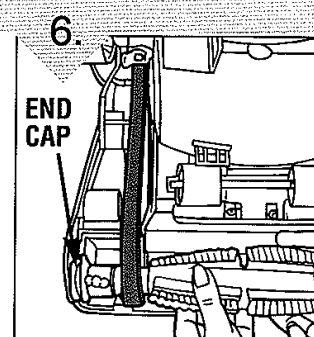
## TO REPLACE BELT OR BRUSHROLL



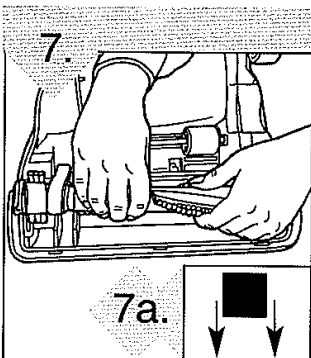
Lift and remove brushroll. Dispose of old belt.



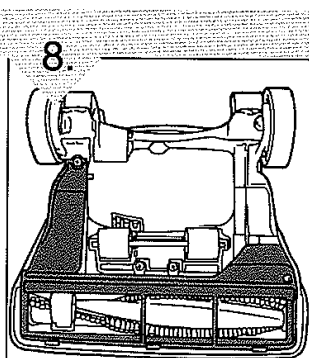
Slide belt onto motor shaft.



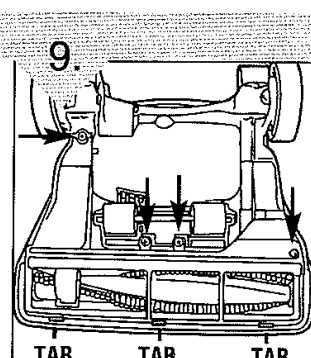
Place new belt in area of brushroll without bristles.



With new belt in place, pull and slide brushroll into nozzle making sure that the brushroll end caps are in the correct orientation (7a inset). Rotate brushroll manually to make sure belt is properly aligned.



Reattach nozzle guard.



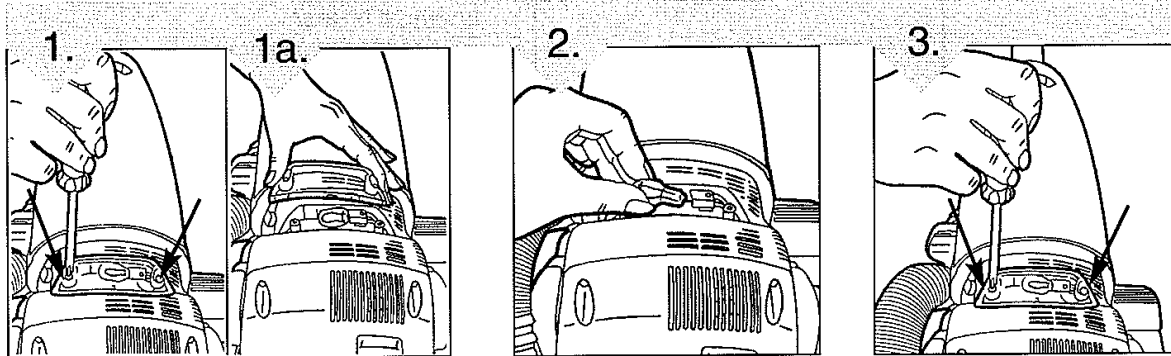
Secure by aligning the three (3) tabs in the base slots. Be sure to replace all four (4) screws.

## LIGHTBULB REMOVAL AND REPLACEMENT

**WARNING:** TO REDUCE THE RISK OF ELECTRIC SHOCK - UNPLUG CLEANER BEFORE REMOVING OR REPLACING LIGHTBULB.

This cleaner uses a common automotive lamp #906, 13.0 volts. For bulb replacement call 1-800-321-1134 or your local auto parts store.

TOOL REQUIRED: PHILLIPS OR FLATHEAD SCREWDRIVER



Lean cleaner handle back. Remove the two (2) screws located on either side of the headlight lens (Diagram 1). Remove lens (Diagram 1a).

Pull bulb out of socket to remove. Do NOT twist. Gently push bulb into socket to replace.

Replace lens. Secure the headlight lens by replacing the two (2) screws.

## GENERAL MAINTENANCE

**WARNING:** TO REDUCE THE RISK OF INJURY FROM MOVING PARTS - UNPLUG BEFORE SERVICING.

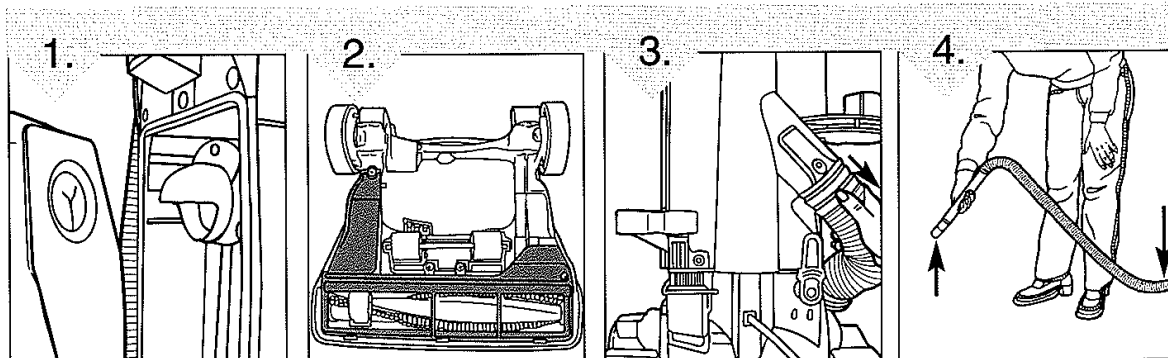
### IF OBSTRUCTION DEVELOPS DURING FLOOR CLEANING:

1. If obstruction develops while cleaning carpets, **turn cleaner OFF and unplug**. Check paper bag to see if it is full. If full, replace with a new paper bag (Page 9).
2. Check dirt tube to see if there is an obstruction (Diagram 1). If so, remove obstruction.
3. Turn cleaner over and remove nozzle guard (Diagram 2). Clear any obstruction that occurs in or around the brushroll area.
4. Remove hose from hose inlet (Diagram 3). Remove any obstruction.

**NOTE:** Regularly clean debris from blue filter in bag compartment.

### IF OBSTRUCTION DEVELOPS DURING TOOL USAGE:

1. If obstruction develops while above floor cleaning, **turn cleaner OFF and unplug**. Check paper bag to see if it is full. If full, replace with a new paper bag (Page 9).
2. Disconnect hose, drop quarter through end. If quarter comes out, there is NO blockage.



# TROUBLESHOOTING GUIDE

**WARNING: TO REDUCE RISK OF PERSONAL INJURY - UNPLUG CLEANER BEFORE SERVICING**

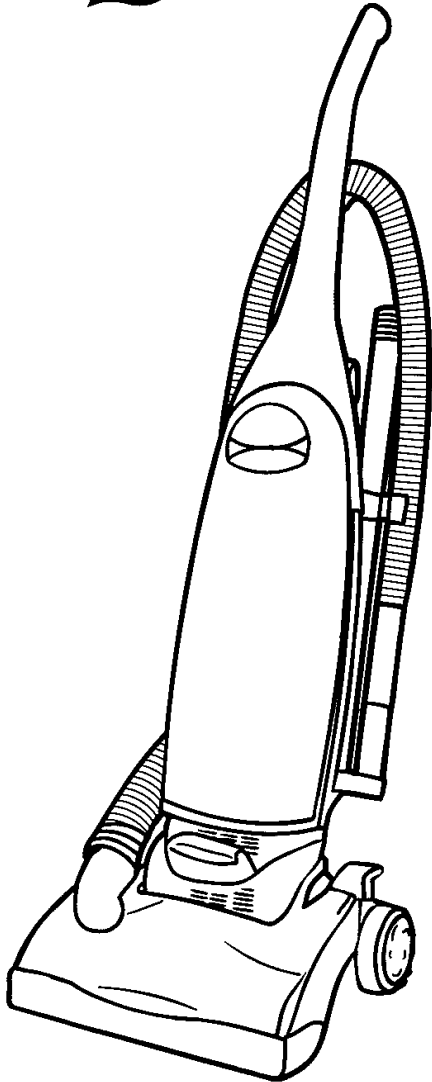
<b>PROBLEM</b>	<b>POSSIBLE REASON</b>	<b>POSSIBLE SOLUTION</b>
<b>Cleaner won't run</b>	<ol style="list-style-type: none"> <li>1. Power cord not firmly plugged into outlet.</li> <li>2. Blown fuse or tripped breaker.</li> <li>3. Needs service.</li> <li>4. Thermal Protector activated.</li> </ol>	<ol style="list-style-type: none"> <li>1. Plug unit in firmly.</li> <li>2. Check fuse or breaker in home. Replace fuse/reset breaker.</li> <li>3. Take to service center or call 1-800-321-1134.</li> <li>4. Allow cleaner to cool - Pg. 3.</li> </ol>
<b>Cleaner won't pick-up or low suction</b>	<ol style="list-style-type: none"> <li>1. Front panel not installed correctly.</li> <li>2. Paper bag full.</li> <li>3. Brushroll worn.</li> <li>4. Broken or worn belt.</li> <li>5. Nozzle/dirt passage hose clogged.</li> </ol>	<ol style="list-style-type: none"> <li>1. Review front panel assembly - Pg. 7.</li> <li>2. Replace paper bag - Pg. 9.</li> <li>3. Replace brushroll - Pg. 10.</li> <li>4. Replace belt - Pg. 10.</li> <li>5. Remove lower hose; remove obstruction - Pg. 11.</li> </ol>
<b>Dust escaping from cleaner</b>	<ol style="list-style-type: none"> <li>1. Paper bag full.</li> <li>2. Paper bag not installed correctly.</li> <li>3. Lower hose not installed correctly.</li> <li>4. There is an obstruction.</li> </ol>	<ol style="list-style-type: none"> <li>1. Change bag - Pg. 9.</li> <li>2. Review dirt bag removal and replacement - Pg. 9.</li> <li>3. Review hose installation - Pg. 6.</li> <li>4. Review General Maintenance - Pg. 11.</li> </ol>
<b>Cleaner tools won't pick-up</b>	<ol style="list-style-type: none"> <li>1. Hose clogged.</li> <li>2. Paper bag full.</li> </ol>	<ol style="list-style-type: none"> <li>1. Remove hose and tools; remove obstruction - Pg. 11.</li> <li>2. Change bag - Pg. 9.</li> </ol>
<b>Headlight not working</b>	<ol style="list-style-type: none"> <li>1. Bulb burnt out.</li> <li>2. Needs service.</li> </ol>	<ol style="list-style-type: none"> <li>1. Replace bulb - Pg. 11.</li> <li>2. Call 1-800-321-1134 for nearest authorized Royal® Dealer.</li> </ol>
<b>Cleaner is difficult to push</b>	<ol style="list-style-type: none"> <li>1. Broken or worn belt.</li> </ol>	<ol style="list-style-type: none"> <li>1. Replace belt - Pg. 10.</li> </ol>

**ANY OTHER SERVICING SHOULD BE DONE BY AN AUTHORIZED SERVICE REPRESENTATIVE  
CUSTOMER SERVICE (1-800-321-1134)**

In the event that further assistance is required, see your Yellow Pages for an authorized Royal® Dealer. Costs of any transportation to and from any place of repair are to be paid by the owner. The service parts used in this unit are easily replaced and readily available from an authorized Royal® Dealer or retailer. Always identify your cleaner by the model number and manufacturing code when requesting information or ordering replacement parts. (The model number appears on the bottom of the cleaner.)

# Dirt Devil®

## MANUAL DEL PROPIETARIO Instrucciones de Funcionamiento y Servicio



- Por favor lea estas instrucciones con cuidado antes de usar su aspiradora.
- Permítanos ayudarle a ensamblar su aspiradora o a contestar sus preguntas, llame al:

**1-800-321-1134**  
**(EE.UU. y Canadá)**

### Registro de Garantía

- En línea en: [www.dirtdevil.com](http://www.dirtdevil.com)
- Teléfono: 1-800-321-1134
- Dirección: Royal Appliance Mfg  
7005 Cochran Rd.  
Glenwillow, Ohio 44139



### **ADVERTENCIA:**

El ensamble de la aspiradora puede incluir partes pequeñas. Las partes pequeñas pueden presentar riesgo de ahogamiento.

Para tener una referencia rápida, anote por favor la información de su aspiradora aquí.

No. de Modelo: \_\_\_\_\_

Código del Fabricante: \_\_\_\_\_

(El código del fabricante aparece en la parte posterior e inferior de la aspiradora).

**ESTA ASPIRADORA ESTÁ DISEÑADA PARA USO DOMÉSTICO SOLAMENTE**

## **INSTRUCCIONES DE SEGURIDAD IMPORTANTES**

Cuando use un electrodoméstico se deben seguir precauciones básicas, incluyendo las siguientes:

- **LEA TODAS LAS INSTRUCCIONES ANTES DE USAR EL APARATO.**
- **SIEMPRE SIGA ESTAS INSTRUCCIONES DE SEGURIDAD.**
- **PONGA LA ASPIRADORA EN POSICIÓN VERTICAL CUANDO USE LA MANGUERA Y LOS ACCESORIOS.**
- **NO DEJE LA ASPIRADORA SIN VIGILANCIA CUANDO ESTÉ CONECTADA.**
- **ADVERTENCIA: NO UTILICE OBJETOS CON FILO PARA LIMPIAR LA MANGUERA, DEBIDO A QUE PUEDEN CAUSAR DAÑO.**
- **DE VEZ EN CUANDO RETIRE EL CEPILLO Y LIMPIE LOS RESIDUOS DE LAS TAPAS FINALES PARA PERMITIR LA ROTACIÓN UNIFORME DEL CEPILLO.**
- **ADVERTENCIA: LOS CORDONES, ALAMBRES Y/O CABLES SUMINISTRADOS CON ESTE PRODUCTO CONTIENEN PRODUCTOS QUÍMICOS QUE INCLUYEN PLOMO O COMPUESTOS DE PLOMO ACERCA DE LOS CUALES SE HA SABIDO EN EL ESTADO DE CALIFORNIA, PRODUCEN CÁNCER, DEFECTOS DE NACIMIENTO U OTROS DAÑOS REPRODUCTIVOS. LÁVESE LAS MANOS DESPUÉS DE SU USO.**

**LEA TODAS LAS INSTRUCCIONES ANTES DE USAR EL APARATO.**

### **ADVERTENCIA: PARA REDUCIR EL RIESGO DE INCENDIO, CHOQUE ELÉCTRICO O LESIONES:**

- No deje solo el aparato cuando esté conectado. Desconéctelo de la toma de corriente cuando no lo use y antes de darle servicio.
- No la utilice en exteriores o en superficies mojadas. Puede ocurrir un choque eléctrico.
- No permita que se use como juguete. Ponga mucha atención cuando la use un niño o cerca de niños.
- Úsela solamente como se indica en este manual. Use solamente los accesorios recomendados por el fabricante.
- No la utilice con el cordón eléctrico o la clavija dañados. Si el aparato no trabaja como debiera, se ha caído, dañado, dejado en exteriores o caído en agua, regréselo a un centro de servicio para su inspección. Llame al 1-800-321-1134 para encontrar el centro de servicio más cercano a su domicilio.
- No tire ni lo transporte tomándole del cordón eléctrico, no utilice el cordón eléctrico como asa, no cierre la puerta sobre el cordón eléctrico ni tire del cordón eléctrico alrededor de esquinas o rebordes agudos. No pase el aparato sobre el cordón eléctrico. Mantenga el cordón eléctrico lejos de superficies calientes.

- No lo desconecte tirando del cordón eléctrico. Para desconectarlo, tome la clavija, no el cordón eléctrico.
- No tome la clavija o el aparato con las manos mojadas.
- No coloque objetos en las aberturas. No lo use con una abertura bloqueada; manténgalo libre de polvo, pelusa, pelo y cualquier cosa que pueda reducir el flujo de aire.
- Mantenga lejos de las aperturas y partes móviles, el pelo, ropa suelta, dedos y todas las partes del cuerpo.
- No aspire objetos que estén quemándose o emitiendo humo, tales como cigarrillos, cerillos o cenizas calientes.
- No utilice la aspiradora sin que estén en su sitio la bolsa y/o los filtros.
- Apague todos los controles antes de desconectar.
- Tenga más cuidado cuando aspire escaleras.
- No lo use para aspirar líquidos inflamables o combustibles, tales como gasolina, ni lo use en áreas donde éstos pudieran estar presentes.
- Mantenga la aspiradora en el suelo. Solamente las aspiradoras de mano pueden ser colocadas sobre muebles.
- La aspiradora debe estar en posición vertical para levantar de la alfombra al cepillo giratorio cuando haga limpieza por encima del nivel del piso.
- No use una extensión eléctrica al usar esta aspiradora.
- Guarde la aspiradora en interiores. Guárdela después de su uso para evitar accidentes de tropiezos.
- Usar el voltaje inapropiado puede resultar en daño al motor y posibles lesiones al usuario. El voltaje apropiado está listado en la placa de la aspiradora.

## GUARDE ESTAS INSTRUCCIONES

### ADVERTENCIA:

Para reducir el riesgo de choque eléctrico, este aparato tiene una clavija polarizada (una hoja más ancha que la otra.) Esta clavija encajará en una toma de corriente polarizada de una manera solamente. Si la clavija no encaja totalmente en la toma de corriente, invierta la clavija. Si aún no encaja, póngase en contacto con un electricista calificado para instalar la toma de corriente apropiada. No modifique la clavija de ninguna manera.

Si se apaga el motor de la aspiradora, apague el interruptor principal y desenchufe el cordón eléctrico de la toma de corriente. Inspeccione las tomas de corriente buscando posibles atascos y revise si la bolsa necesita ser reemplazada. Después de aproximadamente 30 minutos de enfriamiento, el protector del motor de la aspiradora debe reajustarse automáticamente y la aspiradora debe estar lista para su uso nuevamente. Si el motor de la aspiradora aún así no funciona, llame al 1-800-321-1134. **NOTA:** *La aspiradora deberá permanecer desconectada durante el período de enfriamiento de 30 minutos.*

## FELICITACIONES

**Usted es ahora el orgulloso propietario de una Dirt Devil®. Confiamos en que su nueva adquisición le ofrecerá muchos años de satisfacción.**

**Nuestra compañía diseñó y desarrolló este producto teniéndolo a usted en mente.**

**Estamos muy orgullosos de nuestros productos y esperamos que usted esté igualmente satisfecho con su calidad y rendimiento.**

**Gracias por su apoyo a los productos Dirt Devil®.**

## ÍNDICE

Instrucciones de Seguridad.....	Página E2, E3
Descripción de las Características.....	Página E5
Cómo Ensamblar.....	Página E6
Ensamblaje del Cuerpo a la Boquilla.....	Página E6
Ensamblaje del Contenedor de Accesorios..	Página E6
Ensamblaje del Asa al Cuerpo.....	Página E6
Cómo Funciona.....	Página E7, E8
Limpieza de Piso / Alfombra.....	Página E7
Limpieza por encima del nivel del piso.....	Página E8
Quitar y Reemplazar la Bolsa de Papel.....	Página E9
Banda o Cepillo: Remoción y Reemplazo.....	Página E10
Retiro y Reemplazo del Foco.....	Página E11
Mantenimiento General.....	Página E11
Guía de Solución de Problemas.....	Página E12

## GARANTÍA LIMITADA

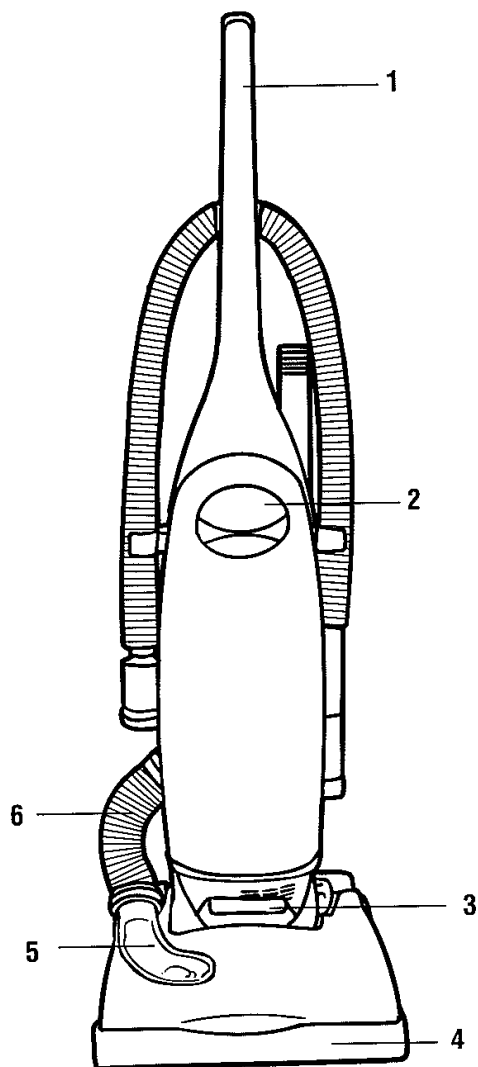
Al consumidor, Royal Appliance Mfg. Co. le garantiza que esta aspiradora no tiene defectos ni de material ni de mano de obra, la garantía comienza en la fecha de compra original. Vea la caja para información de la duración de la garantía y guarde el recibo de compra original para hacer válido el inicio del período de garantía.

En caso que la aspiradora muestre algún defecto dentro del período de garantía, repararemos o reemplazaremos de manera gratuita cualquier parte defectuosa. La máquina completa debe ser enviada con porte pagado a cualquier Estación Autorizada ROYAL® de Ventas y Servicio de Garantía. Por favor incluya una descripción completa del problema, fecha de compra, copia del recibo de compra original y su nombre, domicilio y número de teléfono. Si no se encuentra cerca de una Estación de Garantía, llame a la fábrica para pedir asistencia en los EE.UU. y Canadá: 1-800-321-1134. Use solamente partes de repuesto genúinas Royal®.

La garantía no incluye el desgaste anormal, daño como resultado de un accidente o del uso no adecuado de la aspiradora. Esta garantía no cubre los cepillos, bolsas, bandas planas, filtros ni focos. Esta garantía no cubre reparaciones no autorizadas. Esta garantía le confiere derechos legales específicos y podría tener también otros derechos, los que varían de estado a estado en los EE.UU.

# CARACTERÍSTICAS

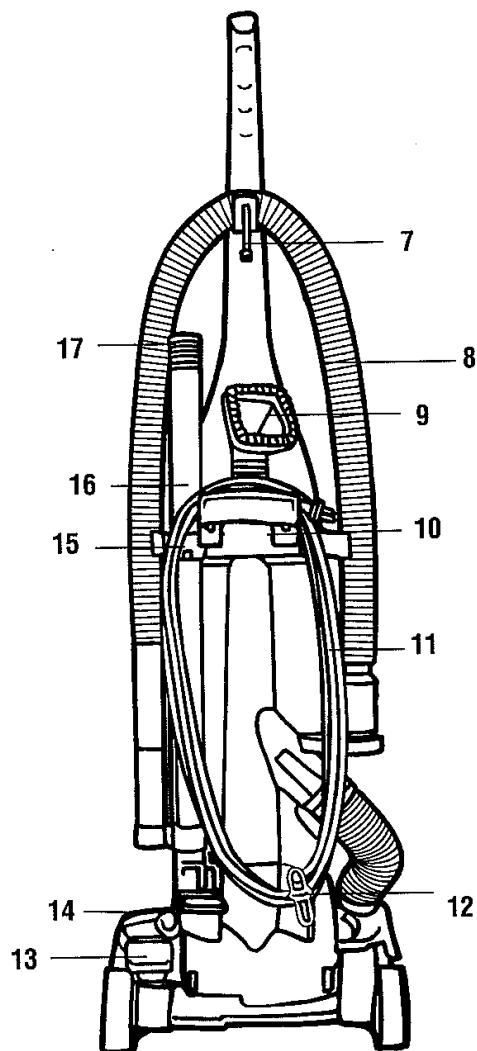
## VISTA DE LA PARTE FRONTAL



## VISTA DE LA PARTE FRONTAL

1. Asa
2. Asa de Liberación de la Cubierta Frontal
3. Luz Frontal
4. Tope
5. Ventana de Paso del Polvo Transparente
6. Manguera Inferior

## VISTA DE LA PARTE POSTERIOR



## VISTA DE LA PARTE POSTERIOR

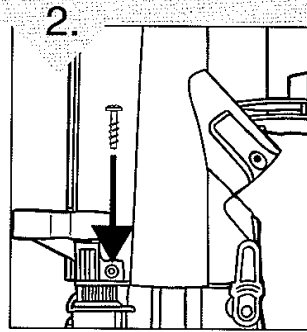
7. Guía del Cordón Eléctrico
8. Manguera
9. Accesorio 2 en 1 Cepillo para Polvo / Accesorio para Tapicería
10. Asa de Transporte / Gancho Superior para el Cordón
11. Cordón Eléctrico Largo
12. Gancho con Liberación Rápida del Cordón Eléctrico
13. Pedal de Liberación del Asa
14. Pedal de Encendido / Apagado
15. Guía del Cordón Eléctrico
16. Lanza de Extensión
17. Accesorio para Hendiduras (en la lanza de extensión)

## CÓMO ENSAMBLAR EL CUERPO A LA BOQUILLA

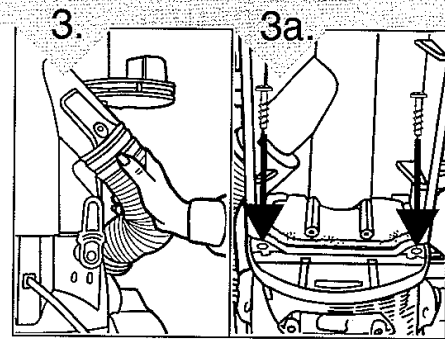
HERRAMIENTA NECESARIA: DESTORNILLADOR PHILLIPS O PLANO



1. Ensamble el cuerpo a la base de tal manera que la manguera inferior quede a la derecha.

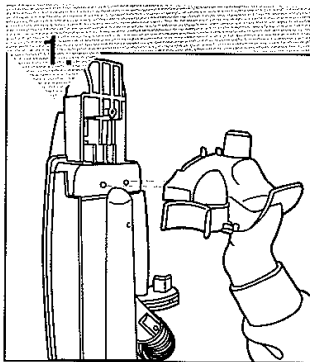


2. Asegure insertando un (1) tornillo en la parte posterior de la aspiradora, sobre el interruptor de encendido / apagado.

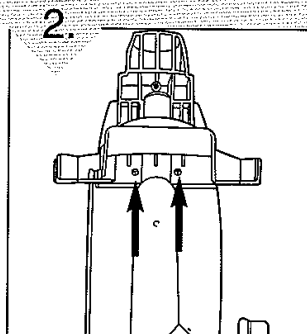


3. Empuje la manguera hacia arriba de la entrada para la manguera hasta que el pasador entre en su orificio (Diagrama 3). Voltee la aspiradora e inserte los dos (2) tornillos en los orificios a cada lado de la almohadilla del filtro (Diagrama 3a). Apriete para asegurar.

## CÓMO ENSAMBLAR LA CAJA DE ACCESORIOS

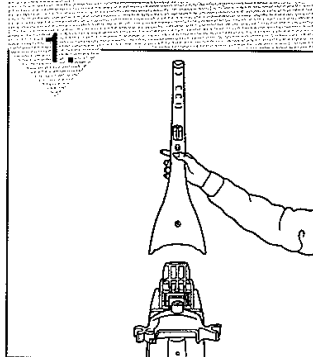


1. Alinee los orificios de la Caja de Accesorios con los orificios de la cubierta posterior.

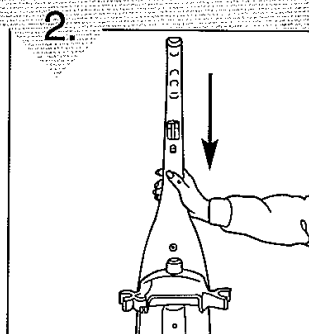


2. Inserte dos (2) tornillos en los orificios y apriételes hasta asegurar.

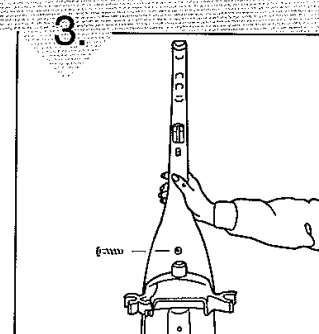
## CÓMO ENSAMBLAR EL ASA AL CUERPO



1. Coloque el asa superior en la aspiradora.



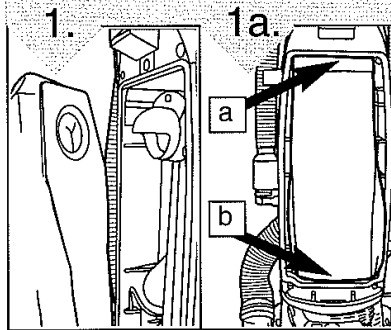
2. Empuje el asa superior hacia abajo, dentro de la aspiradora.



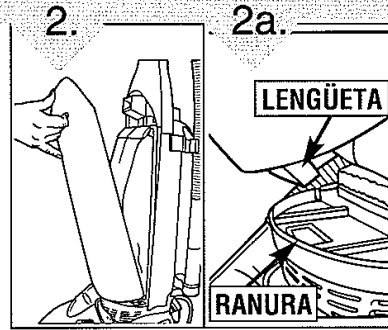
3. Asegure el asa insertando un (1) tornillo (incluido) en la parte posterior de la aspiradora.

# CÓMO ENSAMBLAR

## COLOQUE LA BOLSA Y LA CUBIERTA FRONTAL

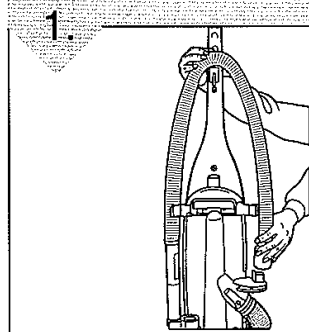


1. Tome el aro de cartón y métalo en el tubo de polvo (Diagrama 1). **NOTA: (Diagrama 1a)** Asegúrese que la parte superior de la bolsa esté metida en su compartimento (a) y que el fondo de la bolsa esté metida por debajo (b).

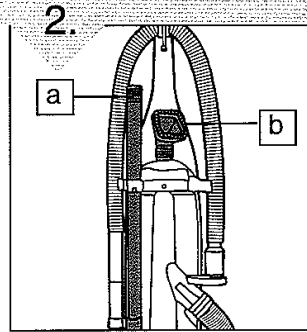


2. Coloque la cubierta frontal (Diagrama 2). **NOTA:** Asegúrese que la lengüeta del fondo de la cubierta frontal esté metida en la ranura localizada en el frente de la aspiradora (Diagrama 2a).

## ENSAMBLAJE DE LA MANGUERA



1. Inserte el extremo más largo de la manguera (lanza de la manguera) en el lado izquierdo de la caja de accesorios. Inserte el extremo más pequeño de la manguera en el soporte del lado derecho de la caja de accesorios.



2. Para fijar los accesorios: (a) Deslice el accesorio para hendiduras en la ranura redonda del lado izquierdo de la caja de accesorios. (b) Deslice el cepillo para polvo en el contenedor de accesorios superior con las cerdas hacia afuera.

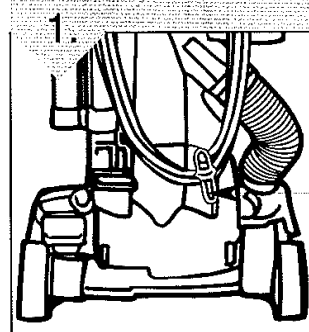
## ALMACENAMIENTO DE ACCESORIOS

# CÓMO FUNCIONA

**PRECAUCIÓN:** El agitador del cepillo continúa girando cuando usted usa o retira la manguera o si la aspiradora está funcionando. Mantenga lejos del área del cepillo el pelo, la ropa suelta, los dedos y otras partes del cuerpo cuando la aspiradora esté funcionando.

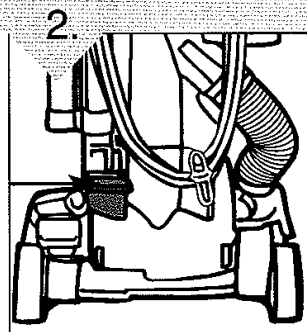
La aspiradora debe estar en posición vertical para levantar de la alfombra el cepillo giratorio cuando limpie por encima del nivel del piso.

## LIBERACIÓN DEL CORDÓN ELÉCTRICO



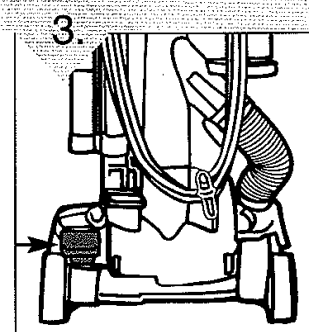
1. Gire el gancho de liberación rápida del cordón eléctrico para retirarlo más fácilmente. Guárdelo en la guía del cordón eléctrico (vea Características-Pág. E5) para mantenerlo fuera del camino mientras aspira.

## PEDAL DE ENCENDIDO / APAGADO



2. Conecte el cordón eléctrico en la toma de corriente. Encienda la aspiradora pisando el pedal localizado en la parte posterior izquierda de la aspiradora.

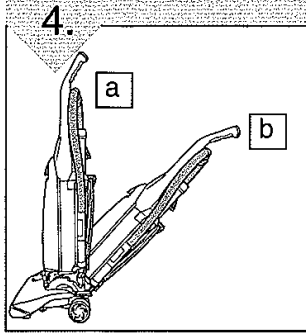
## PEDAL DE LIBERACIÓN DEL ASA



3. Para liberar el asa, pise el pedal de liberación del asa localizado en la parte inferior izquierda de la aspiradora.

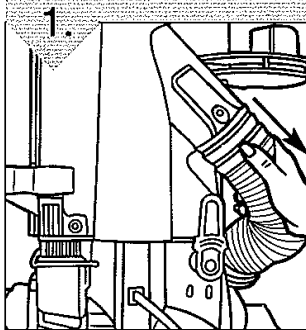
# CÓMO FUNCIONA CONTINUACIÓN

## LIMPIEZA DE ALFOMBRAS / PISO



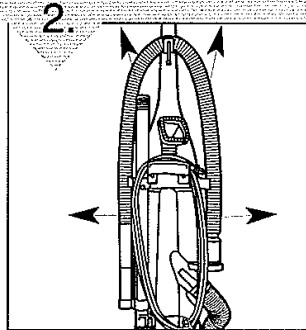
4. Mueva el asa y ajústela en la posición deseada para (a) guardar la aspiradora y (b) operar la aspiradora. **NOTA:** El cepillo giratorio puede hacer que el fleco de una alfombra se enrede dentro de la aspiradora. Tenga cuidado al limpiar las alfombras con fleco.

## LIMPIEZA POR ENCIMA DEL NIVEL DEL PISO

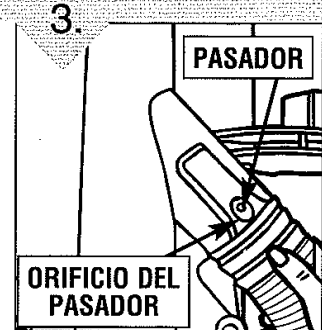


1. La aspiradora debe estar en su posición vertical. Quite la manguera inferior del lado de la aspiradora al oprimir el botón en la manguera inferior localizado en la parte posterior de la aspiradora.

La aspiradora debe estar en su posición vertical. Quite la manguera inferior del lado de la aspiradora al oprimir el botón en la manguera inferior localizado en la parte posterior de la aspiradora.



2. Retire la manguera de la caja de accesorios.

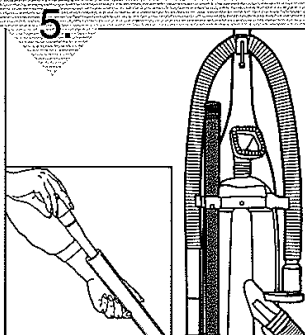


3. Meta la manguera de los accesorios en la entrada inferior hasta que el pasador entre en el orificio para el mismo.

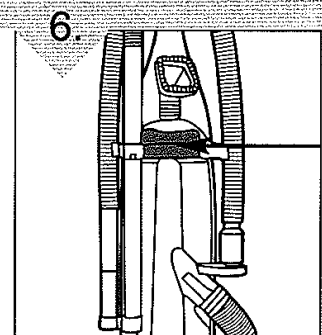
## LANZA DE EXTENSIÓN



4. Seleccione cualquiera de los prácticos accesorios o use la manguera sola. Presione firmemente el accesorio hacia abajo en el extremo de la lanza o del asa de la manguera. Para quitar el accesorio, gire y tire suavemente.



5. Si se necesita mayor longitud, use la lanza de extensión. **NOTA:** Saque la herramienta para hendiduras de la lanza de extensión. Para usarla, saque el accesorio para hendiduras de la lanza (inserción) y colóquela en el extremo de la manguera.



6. Para llevar la aspiradora de una habitación a otra, use el asa para transporte ubicada en la parte posterior de la aspiradora. **NOTA:** No empuje la aspiradora hacia adelante mientras este recargada sobre las ruedas traseras. No jale la aspiradora cuando ésta éste solamente sobre las ruedas traseras.

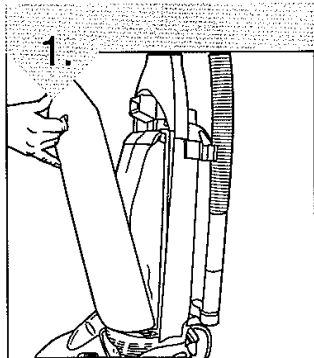
# QUITAR Y REEMPLAZAR LA BOLSA DE PAPEL

**ADVERTENCIA:** PARA REDUCIR EL RIESGO DE LESIONES CAUSADAS POR LAS PARTES MÓVILES, DESCONECTE ANTES DE DAR SERVICIO.

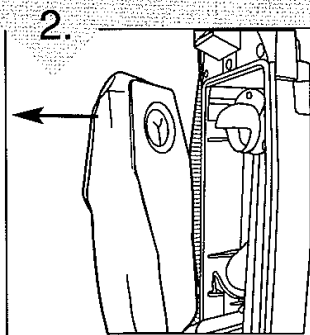
**NOTA:** *Desenchufe la aspiradora antes de cambiar la bolsa de papel. La aspiradora debe tener la bolsa colocada en todo momento.*

## TIPO DE BOLSA U

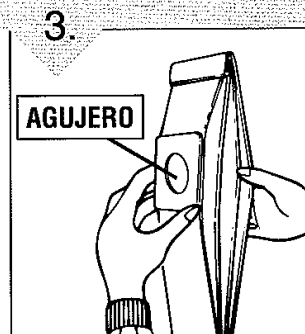
### SACAR LA BOLSA LLENA



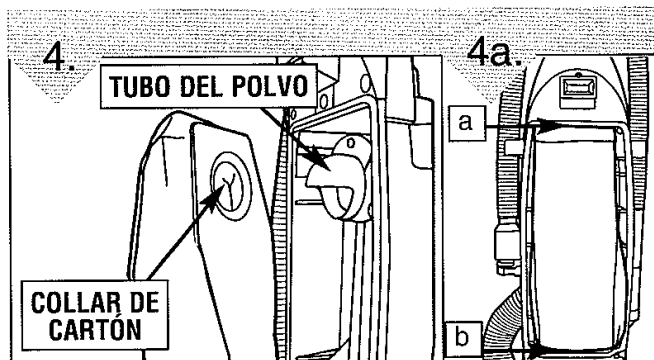
Tire hacia arriba de la palanca en la cubierta frontal para retirarla.



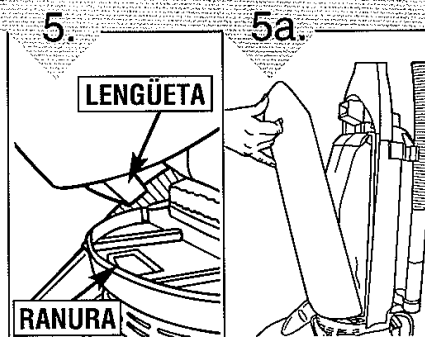
Tome el collar de cartón de la bolsa de papel con ambas manos y sáquela del tubo del polvo.



**IMPORTANTE:** Antes de instalar, abra la bolsa para separarla del agujero. Con los dedos, abra el agujero para despegar el papel del mismo.



Tome el aro de cartón y métalo en el tubo de polvo (Diagrama 4). **NOTA: (Diagrama 4a)** Asegúrese que la parte superior de la bolsa esté metida en su compartimiento (a) y que el fondo de la bolsa esté metida por debajo (b).



Coloque la lengüeta de alineamiento en la parte inferior de la cubierta frontal en la ranura rectangular de la aspiradora (Diagrama 5). Empuje hacia delante la cubierta frontal hasta que esté asegurada (Diagrama 5a). **NOTA:** Asegúrese de no dejar la bolsa atrapada entre las cubiertas frontal y posterior.

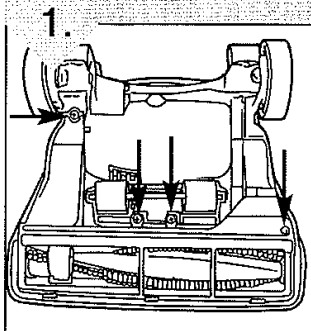
# DESMONTAJE Y REEMPLAZO DE LA BANDA O DEL CEPILLO

HERRAMIENTA NECESARIA: DESTORNILLADOR PHILLIPS

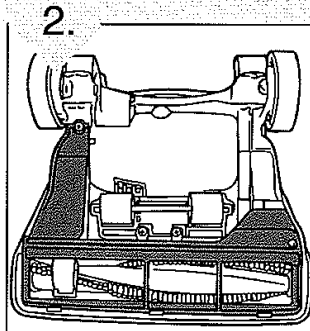
**ADVERTENCIA:** PARA REDUCIR EL RIESGO DE LESIONES CAUSADAS POR LAS PARTES MÓVILES, DESCONECTE LA ASPIRADORA ANTES DE CAMBIAR LA BANDA O EL CEPILLO GIRATORIO.

## PARA RETIRAR LA BANDA

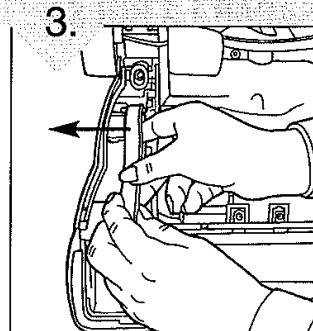
### ESTILO DE BANDA 5



1. Acueste la aspiradora y voltéela para ver la base de la boquilla. La base debe quedar plana y mirando hacia arriba. Utilice un destornillador Phillips para retirar los cuatro (4) tornillos y así quitar la protección de la boquilla. Las flechas indican la posición de los tornillos.

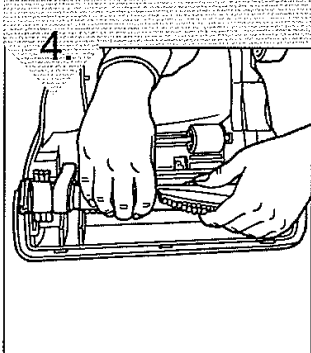


2. Levante la protección de la boquilla.

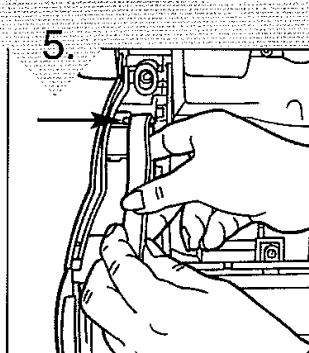


3. Deslice la banda fuera del eje del motor.

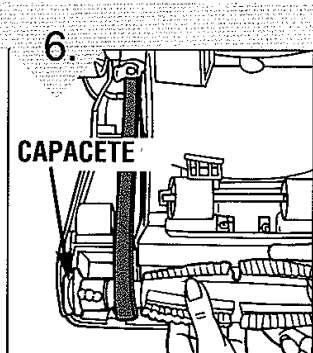
## REEMPLAZO DE LA BANDA O DEL CEPILLO GIRATORIO



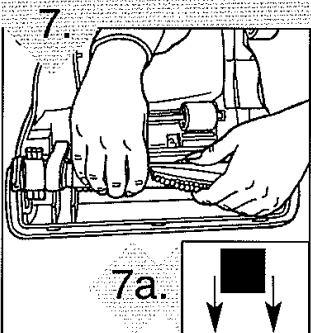
4. Levante y retire el cepillo giratorio. Deseche la banda vieja.



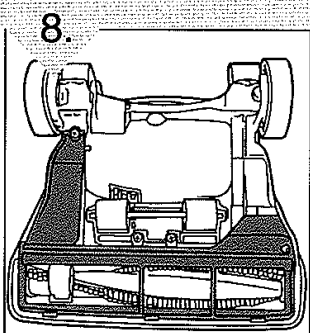
5. Deslice la banda en el eje del motor.



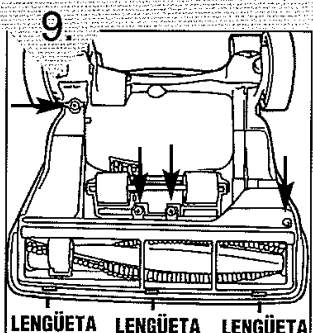
6. Coloque la banda nueva en el área sin cerdas del cepillo giratorio.



7. Una vez que la banda nueva está puesta en su lugar, tire del cepillo giratorio y deslícelo dentro de la boquilla asegurándose que los capacetes estén en la orientación correcta (inserción 7a). Gire el cepillo giratorio de forma manual para asegurarse que la banda esté alineada apropiadamente.



8. Vuelva a colocar la protección de la boquilla.



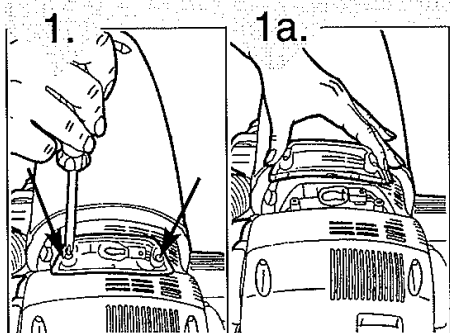
9. Fijela alineando las tres (3) lengüetas en las ranuras de la base. Asegúrese de volver a poner los cuatro (4) tornillos.

## REMOCION Y REEMPLAZO DEL FOCO

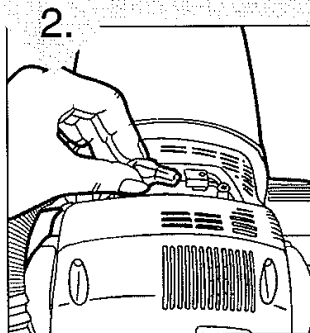
**ADVERTENCIA:** PARA REDUCIR EL RIESGO DE CHOQUE ELÉCTRICO, DESCONECTE LA ASPIRADORA ANTES DE RETIRAR O REEMPLAZAR EL FOCO.

Esta aspiradora utiliza un foco automotor común No.906, 13.0 voltios. Para focos de reemplazo, llame al 1-800-321-1134 o a su tienda de partes automotrices.

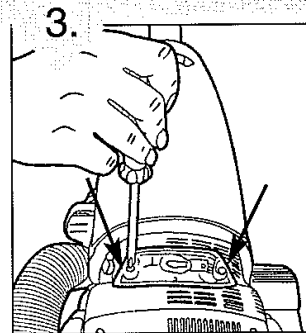
**HERRAMIENTA NECESARIA:** Destornillador Phillips o Plano



Incline hacia atrás el asa de la aspiradora. Retire los dos (2) tornillos ubicados en cualquiera de los lados de la lente de la luz frontal (Diagrama 1). Quite la carátula (Diagrama 1a.)



Para retirar el foco, sáquelo del receptáculo. NO lo gire. Para reemplazarlo, empujelo suavemente en el receptáculo.



Vuelva a colocar la carátula. Fije la lente de la luz frontal volviendo a colocar los dos (2) tornillos.

## MANTENIMIENTO GENERAL

**AVERTISSEMENT:** POUR RÉDUIRE LE RISQUE DE LÉSION À CAUSE DE PIÈCES EN MOUVEMENT, DÉBRANCHEZ L'APPAREIL AVANT DE FAIRE SON ENTRETIEN.

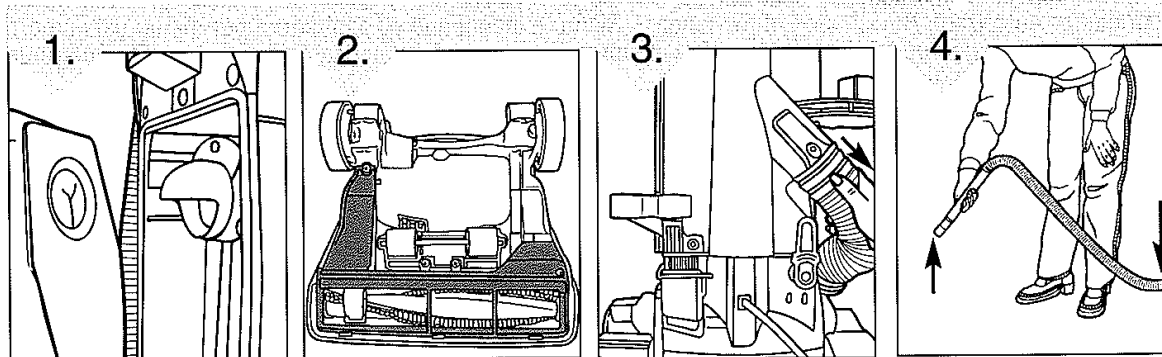
### **SI SE PRESENTA UNA OBSTRUCCIÓN AL ASPIRAR EL PISO:**

1. Si se presenta una obstrucción cuando aspire alfombras, APAGUE la aspiradora y desconéctela. Revise la bolsa de papel para ver si está llena. Si está llena, reemplácela con una nueva (Página E9).
2. Revise el tubo del polvo para ver si existe alguna obstrucción (Diagrama 1). Si es así, elimine la obstrucción.
3. Voltee la aspiradora y quite la protección de la boquilla (Diagrama 2). Remueva cualquier obstrucción presente dentro o alrededor del área del cepillo giratorio.
4. Saque la manguera de la entrada (Diagrama 3). Retire la obstrucción.

**NOTA:** Limpie periódicamente los desechos del filtro azul en el compartimiento de la bolsa.

### **SI SE PRESENTA UNA OBSTRUCCIÓN AL USAR LOS ACCESORIOS:**

1. Si se presenta una obstrucción cuando aspire por encima del nivel del piso, APAGUE la aspiradora y desconéctela. Revise la bolsa de papel para ver si está llena. Si está llena, reemplácela con una nueva (Página E9).
2. Desconecte la manguera, deje caer una moneda a través del extremo. Si la moneda sale, NO hay obstrucción.



# GUÍA DE SOLUCIÓN DE PROBLEMAS

**ADVERTENCIA: PARA REDUCIR EL RIESGO DE LESIONES PERSONALES, DESCONECTE ANTES DE DAR SERVICIO**

PROBLEMA	CAUSAS POSIBLES	SOLUCIONES POSIBLES
<b>La aspiradora no funciona</b>	<ol style="list-style-type: none"> <li>1. El cordón eléctrico no está bien conectado en la toma de corriente.</li> <li>2. Fusible quemado o interruptor desconectado.</li> <li>3. Necesita servicio.</li> <li>4. Protector térmico activado.</li> </ol>	<ol style="list-style-type: none"> <li>1. Conecte la unidad con firmeza.</li> <li>2. Revise el fusible o el interruptor de la casa. Reemplace el fusible / reajuste el interruptor.</li> <li>3. Llévela al centro de servicio o llame al 1-800-321-1134.</li> <li>4. Esto reajustará el protector - Pág. E3.</li> </ol>
<b>La aspiradora no aspira o la succión es muy débil</b>	<ol style="list-style-type: none"> <li>1. La cubierta frontal no está instalada correctamente.</li> <li>2. Bolsa llena.</li> <li>3. Cepillo desgastada.</li> <li>4. Correa rota o desgastada.</li> <li>5. Está tapada la boquilla / el paso de polvo de la manguera.</li> </ol>	<ol style="list-style-type: none"> <li>1. Revise el Conjunto de la Cubierta Frontal - Pág. E7.</li> <li>2. Reemplace la bolsa - Pág. E9.</li> <li>3. Reemplace el cepillo - Pág. E10.</li> <li>4. Reemplace la correa - Pág. E10.</li> <li>5. Retire la manguera inferior; retire la obstrucción - Pág. E11.</li> </ol>
<b>El polvo sale de la aspiradora</b>	<ol style="list-style-type: none"> <li>1. Bolsa llena.</li> <li>2. Bolsa no correctamente instalada.</li> <li>3. La manguera no está instalado correctamente.</li> <li>4. Obstruction du passage de l'air.</li> </ol>	<ol style="list-style-type: none"> <li>1. Reemplace la bolsa - Pág. E9.</li> <li>2. Repase la instalación de la bolsa - Pág. E9.</li> <li>3. Revise la forma de retiro y reemplazo del recipiente de polvo - Pág. E6.</li> <li>4. Dégager l'obstruction - Pág. E11.</li> </ol>
<b>Los accesorios de la aspiradora no funcionan</b>	<ol style="list-style-type: none"> <li>1. Manguera tapada.</li> <li>2. Bolsa llena.</li> </ol>	<ol style="list-style-type: none"> <li>1. Retire la manguera y los accesorios; retire la obstrucción - Pág. E11.</li> <li>2. Reemplace la bolsa - Pág. E9.</li> </ol>
<b>Faro no funciona</b>	<ol style="list-style-type: none"> <li>1. Bombilla fundida.</li> <li>2. Necesita servicio.</li> </ol>	<ol style="list-style-type: none"> <li>1. Reemplace la bombilla - Pág. E11.</li> <li>2. Lleve al centro de servicio o llame al 1-800-321-1134.</li> </ol>
<b>La aspiradora resulta difícil de empujar</b>	<ol style="list-style-type: none"> <li>1. Correa rota o desgastada.</li> </ol>	<ol style="list-style-type: none"> <li>1. Reemplace la correa - Pág. E10.</li> </ol>

**CUALQUIER OTRO SERVICIO DEBERÁ SER EFECTUADO POR UN REPRESENTANTE DE SERVICIO AUTORIZADO SERVICIOS AL CLIENTE (1-800-321-1134)**

En caso de necesitar más ayuda, vea en las Páginas Amarillas para encontrar a un Distribuidor Autorizado Royal®. Los costos de transporte hacia y desde el sitio de reparación serán pagados por el propietario. Las partes de repuesto utilizadas en esta unidad son de reemplazo fácil y están disponibles a través de un Distribuidor Autorizado Royal® o en otras tiendas. Siempre identifique su aspiradora por medio del número de modelo y el código de fabricación cuando pida información u ordene partes de repuesto. (El número de modelo aparece en el fondo de la aspiradora.)

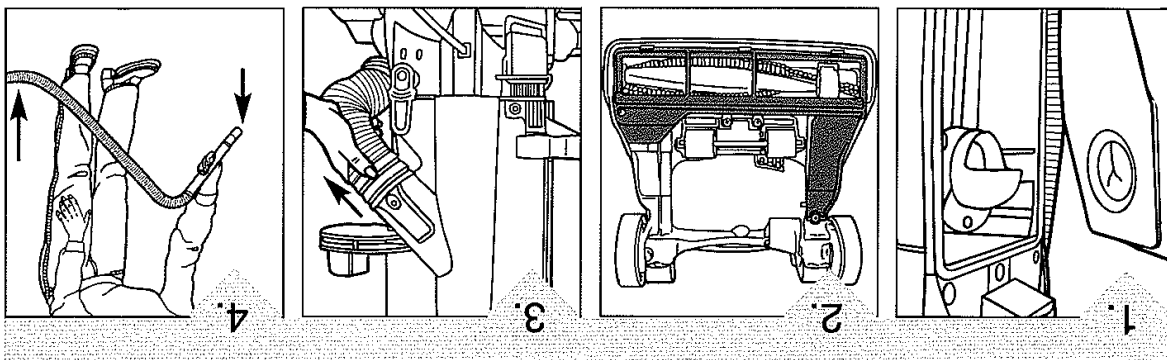
# GUIDE DE DÉPANNAGE

AVERTISSEMENT: POUR RÉDUIRE LE RISQUE DE SE BLESSER, DÉBRANCHER L'ASPIRATEUR AVANT LE SERVICE

PROBLÈME	CAUSE POSSIBLE	SOLUTION POSSIBLE
L'appareil ne fonctionne pas	<ol style="list-style-type: none"> <li>1. La fiche du cordon d'alimentation n'est pas bien insérée dans la prise de courant.</li> <li>2. Un fusible est grillé ou le disjoncteur est déclenché.</li> <li>3. L'appareil doit être entretenu.</li> <li>4. Laisser refroidir l'aspirateur.</li> </ol>	<ol style="list-style-type: none"> <li>1. Branchez fermement le cordon d'alimentation.</li> <li>2. Vérifiez le fusible ou le disjoncteur. Remplacez le fusible ou réenclenchez le disjoncteur.</li> <li>3. Apportez l'appareil au centre de réparation ou téléphonez au 1-800-321-1134.</li> <li>4. Le protecteur thermique se réinitialisera - Pg. 3.</li> </ol>
L'appareil n'aspire pas ou n'a qu'une faible suction	<ol style="list-style-type: none"> <li>1. Le panneau avant n'est pas installé correctement.</li> <li>2. Sac en papier plein.</li> <li>3. Le cylindre de brosse est usé.</li> <li>4. La courroie est cassée ou usée.</li> <li>5. Suceur/passage des saletés encrassés.</li> </ol>	<ol style="list-style-type: none"> <li>1. Revoir la section Assemblage du panneau avant - Pg. 7.</li> <li>2. Remplacer le sac en papier - Pg. 9.</li> <li>3. Remplacer le cylindre de brosse - Pg. 10.</li> <li>4. Remplacer la courroie - Pg. 10.</li> <li>5. Enlevez le tuyau inférieur, dégagez l'obstruction - Pg. 8.</li> </ol>
De la poussière s'échappe de l'aspirateur	<ol style="list-style-type: none"> <li>1. Le sac en papier est plein.</li> <li>2. Le sac n'est pas installé correctement.</li> <li>3. Le tuyau n'est pas installé correctement.</li> <li>4. Obstrucción en el paso de flujo de aire.</li> </ol>	<ol style="list-style-type: none"> <li>1. Remplacer le sac en papier - Pg. 9.</li> <li>2. Vérifier l'installation du sac en papier - Pg. 9.</li> <li>3. Vérifier l'installation du tuyau - Pg. 6.</li> <li>4. Elimine la obstrucción - Pg. 11.</li> </ol>
Les accessoires n'aspirent pas la poussière	<ol style="list-style-type: none"> <li>1. Le tuyau est encrassé.</li> <li>2. Le sac en papier est plein.</li> </ol>	<ol style="list-style-type: none"> <li>1. Enlever le tuyau et les accessoires, dégrager les obstructions - Pg. 7.</li> <li>2. Remplacer le sac en papier - Pg. 9.</li> </ol>
La lumière avant ne fonctionne pas	<ol style="list-style-type: none"> <li>1. L'ampoule est brûlée.</li> <li>2. Besoin de réparation.</li> </ol>	<ol style="list-style-type: none"> <li>1. Remplacer l'ampoule - Pg. 11.</li> <li>2. Apporter l'appareil au centre de service ou composer le 1-800-321-1134.</li> </ol>
L'aspirateur est difficile à pousser	<ol style="list-style-type: none"> <li>1. La courroie est cassée ou usée.</li> </ol>	<ol style="list-style-type: none"> <li>1. Remplacer la courroie - Pg. 10.</li> </ol>

**TOUT AUTRE ENTRETIEN DOIT ÊTRE EFFECTUÉ PAR UN REPRÉSENTANT AUTORISÉ**  
**SERVICE À LA CLIENTÈLE : (1-800-321-1134)**

Pour obtenir de l'aide supplémentaire, consultez les Pages jaunes afin de connaître les dépositaires Royal® autorisés. Les coûts de transport aller-retour à partir de l'endroit où sont effectuées les réparations doivent être défrayés par le propriétaire de l'appareil. Les pièces réparables utilisées dans cet appareil peuvent facilement être remplacées et sont disponibles auprès des dépositaires ou revendeurs Royal® autorisés. Identifiez toujours l'aspirateur par le numéro du modèle et le code de fabrication au bas de l'appareil).



1. Arrêtez l'aspirateur et débranchez-le s'il s'obstrue pendant le nettoyage au-dessus du sol. Vérifiez que le sac en papier ne soit pas plein. S'il est plein, mettez un nouveau sac en papier (Page 9).

2. Déconnectez le tuyau, laissez tomber une pièce de monnaie à l'intérieur. Si la pièce ressort, le tuyau n'est pas obstrué.

### EN CAS D'OBSTRUCTION PENDANT L'UTILISATION DES ACCESSOIRES :

**REMARQUE:** Nettoyez régulièrement les débris présents sur le filtre bleu du compartiment du sac.

4. Enlevez le tuyau de l'orifice d'aspiration (Schéma 3). Dégagez l'obstruction.

3. Mettez l'aspirateur à l'envers et enlevez le dispositif de protection du suceur (Schéma 2). Dégagez toute obstruction au niveau du rouleau-brosse.

2. Vérifiez que le tube à poussière ne soit pas obstrué (Schéma 1). Dans le cas contraire, enlevez l'obstruction en papier ne soit pas plein. S'il est plein, mettez un nouveau sac en papier (Page 9).

1. Arrêtez l'aspirateur et débranchez-le s'il s'obstrue pendant le nettoyage des moquettes. Vérifiez que le sac en papier ne soit pas plein. S'il est plein, mettez un nouveau sac en papier (Page 9).

### EN CAS D'OBSTRUCTION PENDANT LE NETTOYAGE DU SOL :

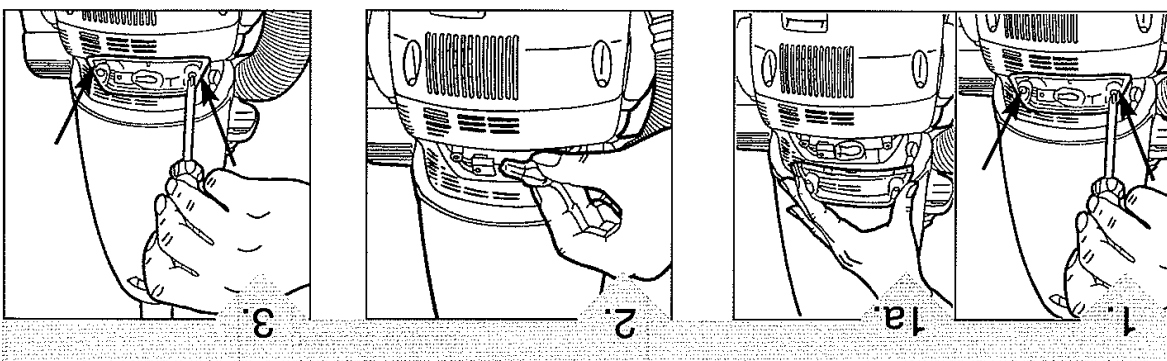
**AVERTISSEMENT:** POUR RÉDUIRE LE RISQUE DE LÉSION À CAUSE DE PIÈCES EN MOUVEMENT, DÉBRANCHEZ L'APPAREIL AVANT DE FAIRE SON ENTRETIEN.

## ENTRETIEN GÉNÉRAL

Basculez la poignée de l'aspirateur. Enlevez les deux (2) vis qui se trouvent de chaque côté des verres de la lampe. (Schéma 1a). Enlevez le verre (Schéma 1a).

Tirez sur l'ampoule pour la sortir de la douille. Ne la tournez pas. Insérez soigneusement l'ampoule dans la douille.

Remettez le verre. Fixez-la lampe à l'aide des deux (2) vis que vous aviez enlevées.



Cet aspirateur utilise une ampoule automobile courante : n° 906, 13,0 volts. Pour acheter une ampoule composez le 1-800-321-1134 ou contactez votre magasin de pièces automobiles.

**AVANT D'ENLEVER ET DE REMPLACER L'AMPOULE.**

**AVERTISSEMENT :** POUR RÉDUIRE LE RISQUE DE CHOC ÉLECTRIQUE : DÉBRANCHEZ L'ASPIRATEUR AVANT D'ENLEVER ET DE REMPLACER L'AMPOULE.

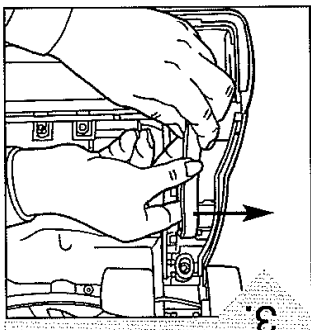
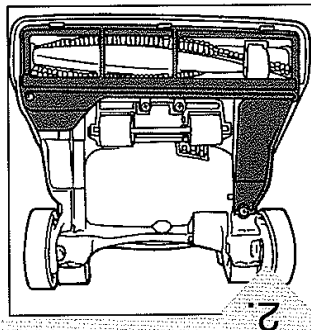
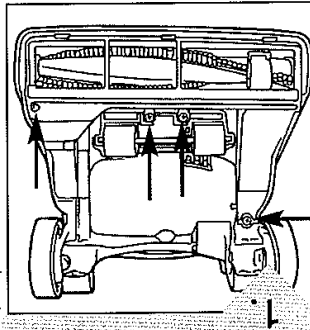
## AMPOULE : DÉPOSE ET REMPLACEMENT

# DÉPOSE ET REMPLACEMENT DE LA COURROIE ET DE LA BROSSSE

**AVERTISSEMENT :** POUR ÉVITER DE VOUS BLESSER AVEC LES PIÈCES EN MOUVEMENT, DÉBRANCHEZ L'APPAREIL AVANT DE REMPLACER LA COURROIE OU LE ROULEAU-BROSSE.

## POUR ENLEVER LA COURROIE

1. Posez l'aspirateur à plat pour exposer la base du suceur. La base doit être à plat et tournée vers le haut. Pour enlever le dispositif de protection du suceur, utilisez un tournevis à pointe cruciforme pour dévisser les quatre (4) vis. Les flèches indiquent l'emplacement des vis.

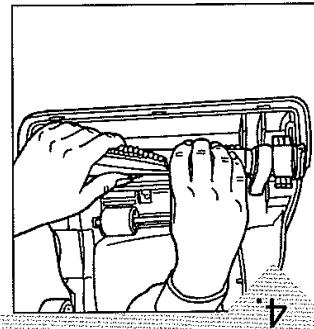


Retirez la courroie de l'arbre de moteur.

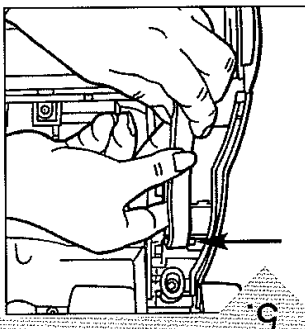
2. Soulevez le dispositif de protection du suceur.

## POUR REMPLACER LA COURROIE OU LE ROULEAU-BROSSE

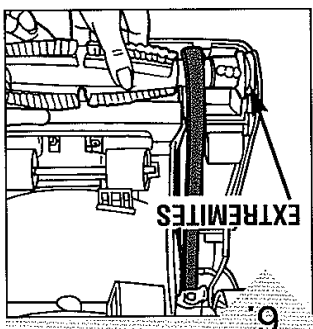
4. Soulevez et enlevez le rouleau-brosse. Jetez la courroie usagée.



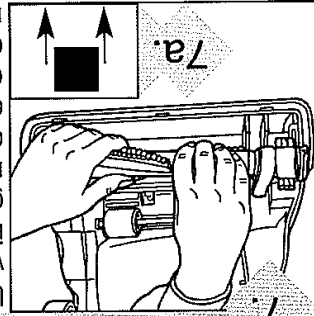
5. Glissez la courroie sur l'arbre de moteur.



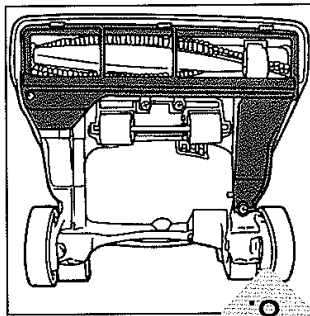
6. Placez la nouvelle courroie dans la partie du rouleau-brosse n'ayant pas de crins.



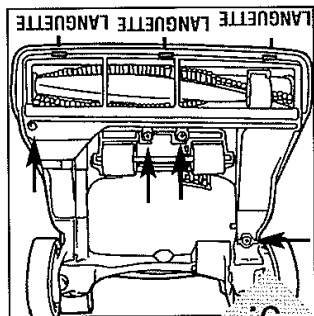
7. Une fois la nouvelle courroie installée, tirez et glissez le rouleau-brosse dans le suceur en veillant à ce que les extrémités du rouleau-brosse soient orientées correctement (Schéma 7a). Faites pivoter le rouleau-brosse à la main pour vous assurer que la courroie est alignée correctement.



8. Remettez en place le dispositif de protection du suceur.



9. Fixez-le en alignant les trois languettes sur les encoches. Veillez à remettre les quatre (4) vis.

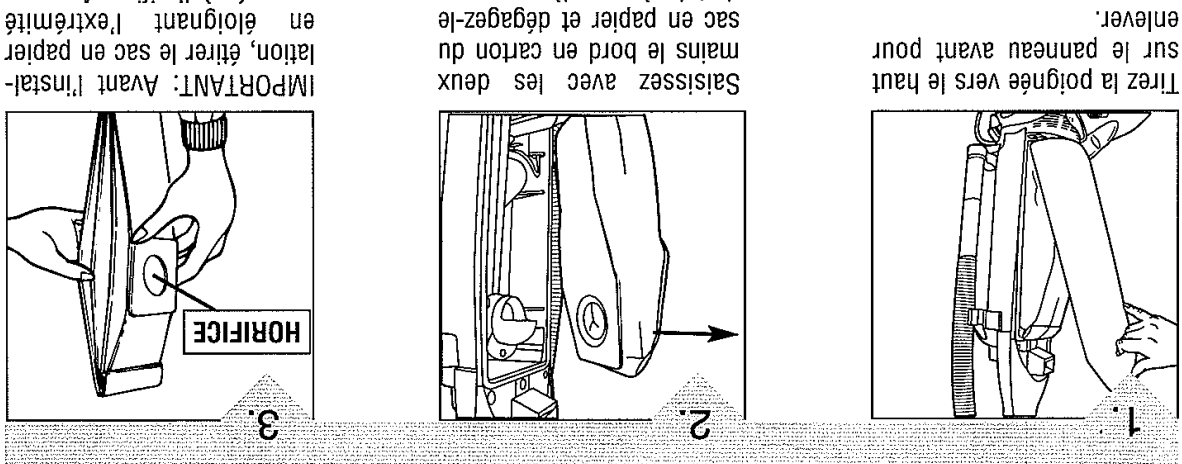


# ENLÈVEMENT ET REMPLACEMENT DU SAC EN PAPIER

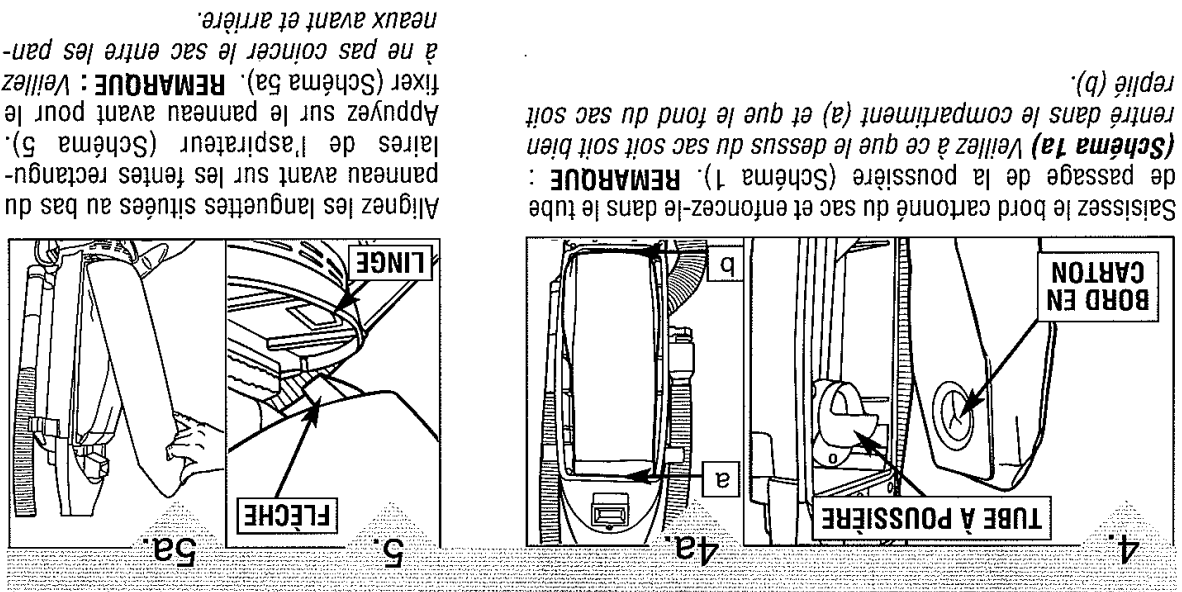
**AVERTISSEMENT:** POUR ÉVITER DE VOUS BLESSER AVEC LES PIÈCES EN MOUVEMENT, DÉBRANCHEZ L'APPAREIL AVANT DE PROCÉDER À SON ENTRETIEN.  
**REMARQUE:** Débrancher l'aspirateur avant de changer de sac en papier. Il doit toujours y avoir un sac en papier en place dans l'aspirateur.

## TYPE DE SAC: U

### POUR RETIRER L'ANCIEN SAC



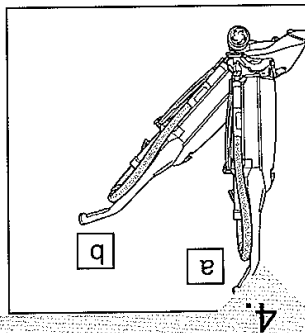
### POUR INSTALLER UN NOUVEAU SAC



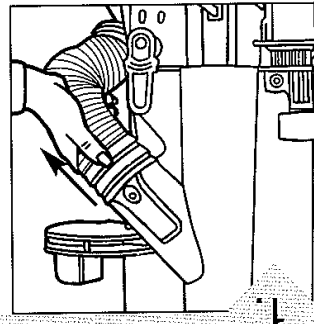
# FONCTIONNEMENT (SUITE)

## NETTOYAGE DU SOL/DES TAPIS

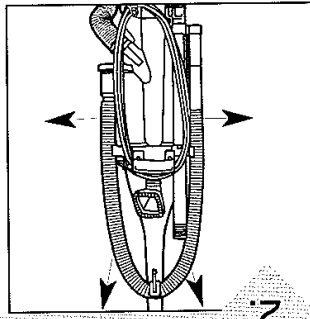
4. Déplacez la poignée et réglez-la à la position souhaitée lorsque vous (a) rangez l'aspirateur et (b) faites-le fonctionner. **REMARQUE:** Les franges de tapis peuvent s'emmêler dans le rouleau de brosse de l'aspirateur lorsque celui-ci tourne. Être prudent lors du passage de l'aspirateur sur des tapis pourvus de franges.



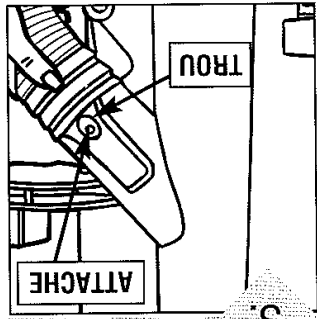
## NETTOYAGE AU-DESSUS DU SOL



1. Mettez l'aspirateur en position verticale. Enlevez le tuyau inférieur du côté de l'aspirateur en appuyant sur le bouton situé à l'arrière de l'aspirateur.

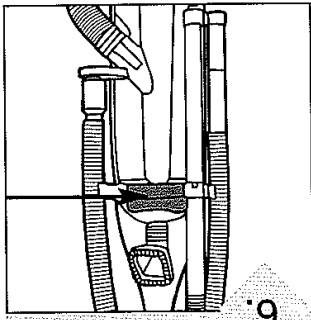


2. Retirez le tuyau du support à accessoires.



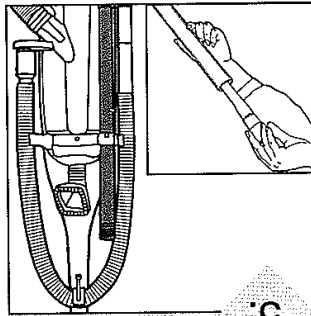
3. Faites glisser le tuyau à l'intérieur de l'orifice d'aspiration jusqu'à ce que l'attache s'enclenche dans le trou.

## POIGNÉE DE TRANSPORT

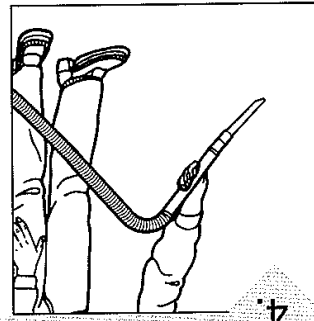


6. Utilisez la poignée de transport située à l'arrière de l'aspirateur pour transporter l'aspirateur d'une pièce à l'autre. **REMARQUE:** Ne pas pousser l'aspirateur vers l'avant sur les roulettes arrière. Ne pas tirer l'aspirateur sur les roulettes arrière.

## RALLONGE



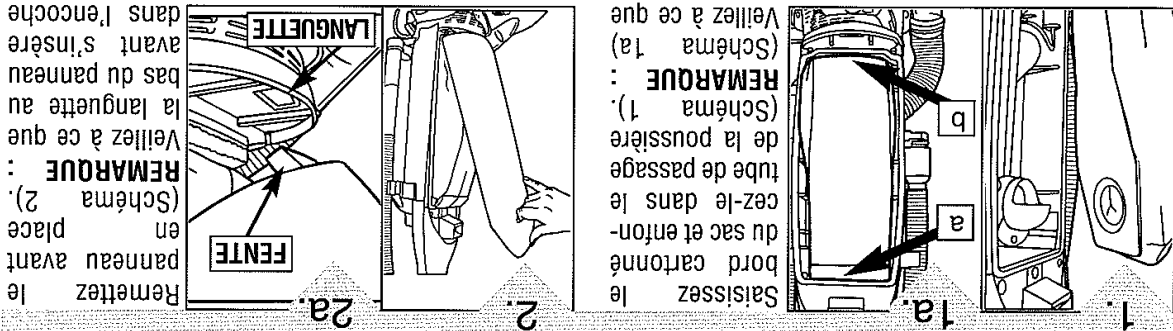
5. Si vous avez besoin d'une longueur supplémentaire, utilisez la rallonge. **REMARQUE:** Ne pas pousser l'aspirateur vers l'avant sur les roulettes arrière. Pour utiliser l'appareil, retirez le suceur plat du tube (illustration) et mettez-le au bout du tuyau.



4. Choisissez les accessoires selon vos besoins ou utilisez uniquement le tuyau. Insérez simplement les accessoires sur l'extrémité de la rallonge ou de la poignée du tuyau et appuyez fermement. Pour retirer un accessoire, tournez-le et retirez-le avec précaution.

# ASSEMBLAGE

## INSTALLATION DU SAC ET DU PANNEAU AVANT

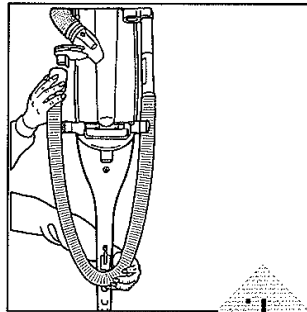


Remettez le panneau avant en place (Schéma 2).  
**REMARQUE :** Veillez à ce que la languette au bas du panneau avant s'insère dans l'encoche

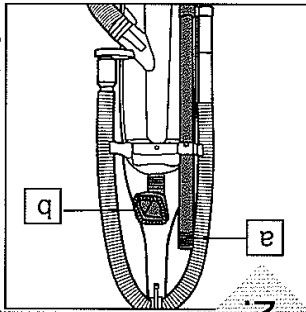
Saisissez le bord cartonné du sac et entourez-le dans le tube de passage de la poussière (Schéma 1).  
**REMARQUE :** Veillez à ce que le dessus du sac soit bien rentré dans le compartiment (a) et que le fond du sac soit replié (b).

# FONCTIONNEMENT

**ATTENTION :** L'agitateur de la brosse continues à pivoter lorsque le tuyau est enlevé ou en marche tout le temps lorsque l'aspirateur fonctionne. Gardez les cheveux, les vêtements amples, et toute partie du corps à l'écart de la zone de la brosse lorsque l'aspirateur est en marche. L'aspirateur doit être en position verticale pour pouvoir lever la brosse rotative et nettoyer au-dessus du sol.

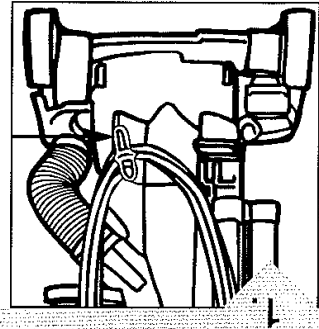


1. Insérez l'extrémité longue du tuyau (ralongue de tuyau) dans le support à accessoires du côté gauche. Insérez la petite extrémité du tuyau dans le support à accessoires du côté droit.



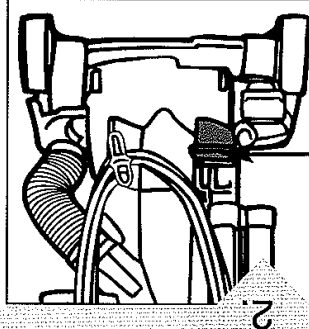
2. Comment fixer les accessoires : (a) Glissez le suceur dans l'encoche ronde du côté gauche du support à accessoires. (b) Glissez le dispositif 2 en 1 dans le taquet situé sur le panneau arrière.

## DÉCLENCHEUR DU CORDON



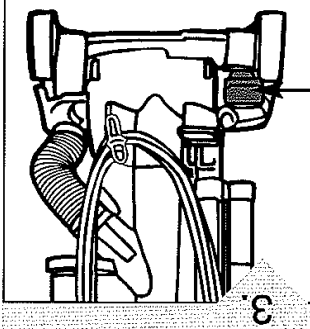
1. Tournez le déclencheur instantané du cordon pour faciliter l'enlèvement du cordon. Rangez le cordon dans le guide du cordon (voir caractéristiques à la page 5) pour ne pas nuire pendant l'utilisation.

## PÉDALE MARCHÉ/ARRÊT



2. Branchez le cordon dans une prise de courant. Mettez l'aspirateur en marche en appuyant sur la pédale de marche située à l'arrière de l'aspirateur du côté gauche.

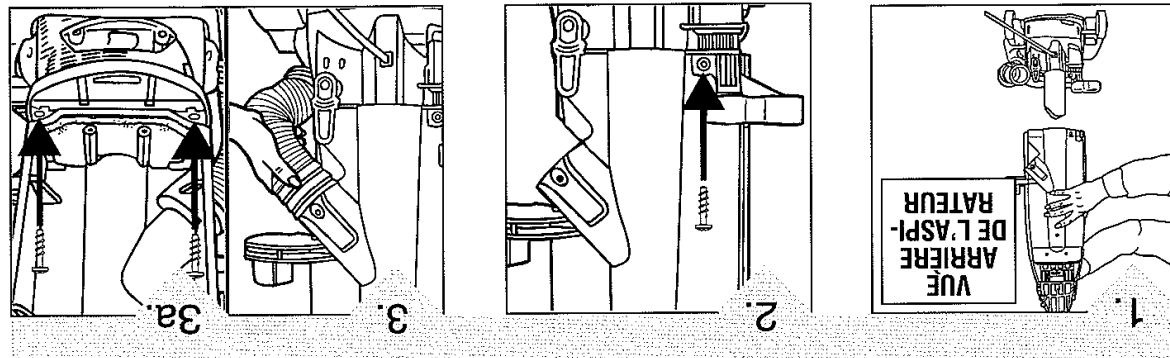
## PÉDALE DE DÉGAGEMENT DE LA POIGNÉE



3. Pour dégager la poignée, appuyez sur la pédale de dégagement de la poignée située sur la partie inférieure de l'aspirateur.

# COMMENT ASSEMBLER LE SUCEUR AU CORPS DE L'ASPIRATEUR

OUTIL NECESSAIRE : TOURNEVIS à POINTE CRUCIFORME ou à tête plate

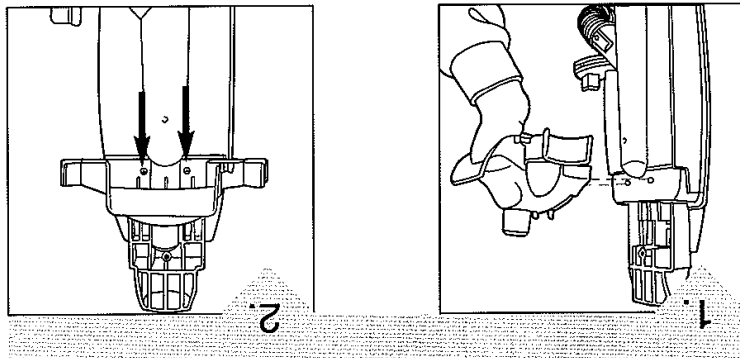


Montez le corps de l'aspirateur sur la base de manière à ce que le tuyau inférieur soit du côté droit.

Pour fixer l'ensemble, insérez une (1) vis à l'arrière de l'aspirateur au-dessus de l'interrupteur marche/arrêt.

Poussez le tuyau vers le haut dans l'orifice d'aspiration jusqu'à ce que l'attache s'enclenche dans le trou (Schéma 3). Retournez l'aspirateur et insérez les deux (2) vis dans les trous situés de chaque côté du tampon filtreur (Schéma 3a). Serrez pour fixer.

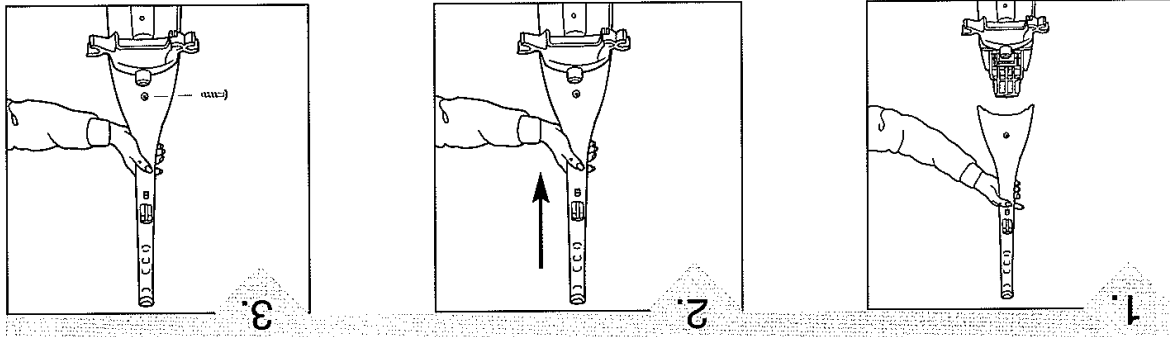
# COMMENT ASSEMBLER LE SUPPORT À ACCESSOIRES



Alignez les trous du support à accessoires sur les trous situés sur le panneau arrière.

Insérez deux (2) vis dans les trous et serrez-les jusqu'à ce qu'ils soient bloqués.

# COMMENT ASSEMBLER LA POIGNÉE SUR LE CORPS DE L'ASPIRATEUR



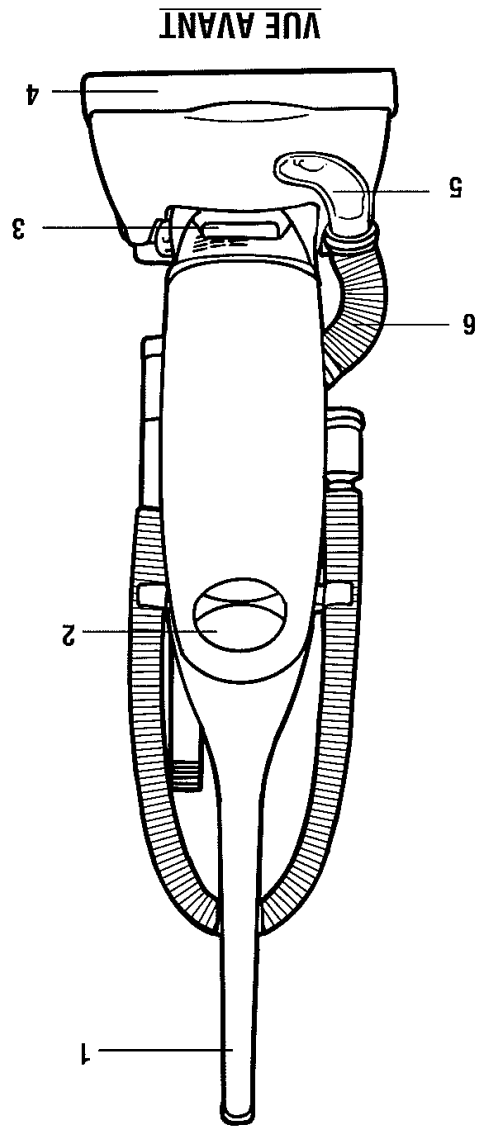
Placez la poignée du haut à la verticale.

Appuyez la poignée vers le bas dans l'aspirateur.

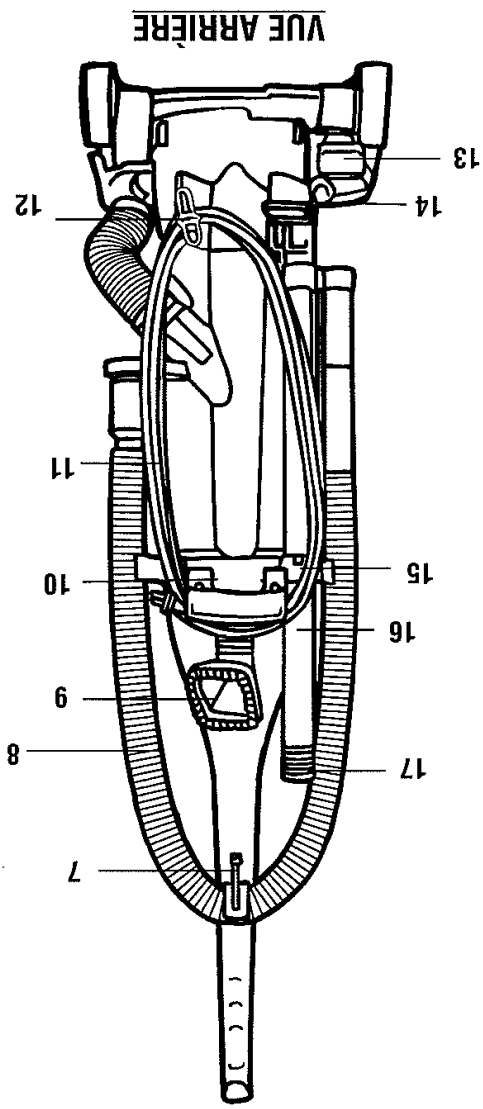
Insérez une (1) vis (fournie) à l'arrière de l'aspirateur pour bloquer la poignée.

# CARACTÉRISTIQUES

1. Poignée
2. Poignée de dégagement du panneau avant
3. Phare avant
4. Pare-choc
5. Fenêtre de passage de la poussière
6. Tuyau inférieur



7. Guide de cordon
8. Tuyau
9. 2-accessoires en 1-Brosse à épousseter / accessoire à meubles
10. Poignée de transport/dispositif
11. Cordon d'alimentation long
12. Dispositif d'enroulement du cordon à déclenchement rapide
13. Pédale de dégagement de la poignée
14. Pédale marche/arrêt
15. Guide de cordon
16. Rallonge
17. Suceur plat (dans la rallonge)(Extension Wand)



**VUE ARRIÈRE**

Royal Appliance Mfg. Co. garantit au consommateur que cet aspirateur est exempt de vices de matériau ou de fabrication à compter de sa date d'achat d'origine. Consultez le carton d'emballage de l'appareil pour déterminer la durée de la garantie et conservez votre reçu d'achat d'origine pour justifier la date d'entrée en vigueur de la période de garantie.

Si l'appareil tombe en panne pendant la période couverte par la garantie, nous réparerons ou remplacerons gratuitement toute pièce défectueuse. L'appareil entier doit être renvoyé port payé à n'im- porte quel point de vente ou de réparation sous garantie de ROYAL<sup>MD</sup>. Veuillez inclure une description détaillée du problème, la date d'achat, une copie du reçu d'achat d'origine ainsi que vos nom, adresse et numéro de téléphone. Si aucun centre de réparation ne se trouve dans votre région, appelez l'usine au 1-800-321-1134 au CANADA et aux ETATS-UNIS. N'utilisez que les pièces de rechange Royal<sup>MD</sup>.

Cette garantie ne couvre pas l'usure inhabituelle, les dommages causés par les accidents ou un usage abusif de l'appareil. Cette garantie ne couvre pas les courroies, les brosses, les sacs, les filtres, les ampoules ou le ven- tilateur. Cette garantie ne couvre pas les réparations non autorisées. Cette garantie vous offre des droits spéci- fiques mais il se peut que vous ayez d'autres droits (Ces derniers varient d'état à état au sein des Etats-Unis).

## GARANTIE LIMITEE

Consignes de sécurité.....	Page 2, 3
Descriptions de l'appareil.....	Page 5
Assemblage de l'appareil.....	Page 6
Assemblage du suceur sur le corps de l'appareil.....	Page 6
Assemblage du support à accessoires.....	Page 6
Assemblage de la poignée sur le corps de l'appareil.....	Page 6
de l'appareil.....	Page 6
Utilisation de l'appareil.....	Page 7, 8
Nettoyage du sol/tapis.....	Page 7
Nettoyage au-dessus du sol.....	Page 8
Retrait et remplacement du sac en papier.....	Page 9
Courroie ou brosse : Dépose et remplacement.....	Page 10
Ampoule : Dépose et remplacement.....	Page 11
Entretien Général.....	Page 11
Guide de dépannage.....	Page 12

## TABLE DES MATIERES

**FELICITATIONS !**

Vous êtes désormais l'heureux propriétaire d'un Dirt Devil<sup>MD</sup>. Nous sommes persuadés que cet appareil vous satisfera pendant plusieurs années.

Nous avons conçu ce produit pour vous faciliter la vie.

Nous sommes très fiers de nos produits et nous espérons que vous serez aussi satisfait que nous de leur qualité et de leur performance.

Merci d'utiliser les produits Dirt Devil<sup>MD</sup>.

Si le moteur de l'appareil s'arrête – Mettez l'interrupteur principal sur « Off » (Arrêt) et débranchez le cordon d'alimentation de la prise murale. Inspectez les orifices pour voir s'ils ne sont pas bouchés et vérifiez si le sac doit être remplacé. Après avoir refroidi pendant environ 30 minutes, le protecteur du moteur de l'appareil se réinitialise automatiquement et l'aspirateur est prêt à repartir. Si le moteur ne fonctionne toujours pas, appelez le 1-800-321-1134. **REMARQUE** : L'aspirateur doit demeurer à l'arrêt pendant la période de refroidissement de 30 minutes.

Afin de réduire les risques de choc électrique, cet appareil est muni d'une fiche polarisée (une tige est plus large que l'autre). Cette fiche ne peut être insérée dans une prise de courant polarisée que dans un sens. Si la fiche ne s'insère pas complètement dans la prise, inversez-la. Si elle ne s'insère toujours pas, demandez à un électricien qualifié d'installer la prise appropriée. Ne modifiez jamais la fiche.

## AVERTISSEMENT :

## VEUILLEZ CONSERVER CES INSTRUCTIONS

- Ne tirez pas l'appareil par son cordon, ne vous servez pas du cordon comme poignée, ne fermez pas de portes sur le cordon et ne tirez pas le cordon sur des coins ou des bords tranchants. Évitez de passer l'appareil sur le cordon d'alimentation. Tenez le cordon hors de portée des surfaces chauffées.
- Ne débranchez pas l'appareil en tirant sur le cordon. Pour le débrancher, tirez sur la fiche et non sur le cordon.
- Ne manipulez pas la fiche ou l'aspirateur avec des mains mouillées.
- N'insérez pas d'objets dans les ouvertures. Évitez d'utiliser l'appareil si les ouvertures sont obstruées; gardez les ouvertures exemptes de poussière, de peluches, de cheveux et de tout ce qui pourrait réduire le débit d'air.
- Gardez les cheveux, les vêtements amples, les doigts et toute partie du corps à l'écart des ouvertures et des pièces en mouvement.
- Évitez d'aspirer tout objet qui brûle ou fume, comme les cigarettes, les allumettes et les cendres incandescentes.
- Ne pas utiliser l'aspirateur sans sac poussière et/ou filtres en place.
- Éteignez toutes les commandes avant de débrancher l'appareil.
- Faites bien attention quand vous nettoyez les marches d'escalier.
- N'aspirez pas les liquides inflammables ou combustibles comme l'essence; n'utilisez pas l'appareil en présence de ces matériaux.
- Gardez l'aspirateur au sol. Seuls les aspirateurs à main peuvent être posés sur les meubles.
- L'aspirateur doit être en position verticale pour pouvoir lever la brosse rotative et nettoyer le plancher.
- N'utilisez jamais de rallonge électrique avec cet aspirateur.
- Rangez l'aspirateur à l'intérieur. Rangez l'aspirateur après son utilisation pour ne pas trébucher dessus.
- L'utilisation d'une tension inadéquate peut endommager le moteur et blesser l'utilisateur. La tension adéquate est indiquée sur la plaque de l'appareil.

## **CET APPAREIL A ÉTÉ CONÇU EXCLUSIVEMENT POUR UN USAGE DOMESTIQUE.**

Lorsque vous utilisez un appareil ménager, vous devez prendre certaines précautions de sécurité, telles que :

- LISEZ TOUTES LES INSTRUCTIONS AVANT D'UTILISER L'APPAREIL.
- RESPECTEZ TOUJOURS À LA LETTRE CES CONSIGNES DE SÉCURITÉ.
- METTRE L'ASPIRATEUR EN POSITION VERTICALE QUAND VOUS UTILISEZ LE TUYAU ET LES ACCESSOIRES.
- NE LAISSEZ PAS L'APPAREIL SANS SURVEILLANCE QUAND IL EST BRANCHÉ.
- AVERTISSEMENT : N'UTILISEZ PAS D'OBJETS TRANCHANTS POUR NETTOYER LE TUYAU : ILS POURRAIENT L'ENDOMMAGER.
- ENLEVEZ LE ROULEAU DE TEMPS EN TEMPS ET NETTOYEZ LES SALETÉS QUI ENCOMBRENT SES EXTRÉMITÉS AFIN QU'IL CONTINUE À TOURNER SANS PROBLÈME.
- AVERTISSEMENT : LES GORDONS, FILS ÉLECTRIQUES ET/OU CÂBLE FOURNIS AVEC CE PRODUIT CONTIENNENT DES PRODUITS CHIMIQUES Y COMPRIS DU PLOMB OU DES COMPOSÉS DU PLOMB CONNU PAR L'ÉTAT DE CALIFORNIE POUR SON EFFET CANCÉRIGÈNE, POUVANT ENTRAÎNER DES MALFORMATIONS CONGÉNITALES OU ENDOMMAGER LES ORGANES DE REPRODUCTION. LAVEZ-VOUS LES MAINS APRÈS TOUTE UTILISATION.

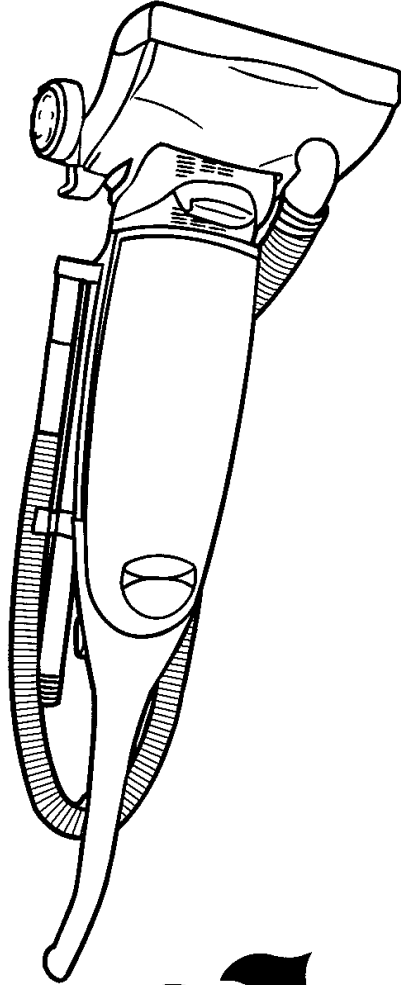
## **LISEZ TOUTES LES INSTRUCTIONS AVANT D'UTILISER L'APPAREIL.**

# **AVERTISSEMENT : POUR RÉDUIRE LES RISQUES D'INCENDIE, DE DÉCHARGE ÉLECTRIQUE ET DE BLESSURE :**

- Ne laissez jamais l'appareil sans surveillance quand il est branché. Débranchez-le quand il n'est pas utilisé ainsi qu'avant de procéder à son entretien.
- N'utilisez pas l'appareil à l'extérieur ou sur des surfaces mouillées. Vous pourriez vous électrocuter.
- Ne laissez pas les enfants jouer avec l'appareil. Exercez une surveillance étroite quand l'appareil est utilisé par des enfants ou à proximité de ceux-ci.
- Utilisez l'appareil en respectant à la lettre les consignes de ce manuel.
- Utilisez seulement les accessoires recommandés par le fabricant.
- N'utilisez pas l'appareil si la fiche ou le cordon est endommagé. Si l'aspirateur ne fonctionne pas comme prévu, s'il est tombé, s'il a été endommagé, laissez à l'extérieur ou s'il est tombé dans l'eau, expédiez-le à un centre de réparation pour qu'il soit vérifié. Appelez le 1-800-321-1134 pour savoir quel est le centre de réparation le plus proche.

**MANUEL DU PROPRIÉTAIRE**  
Notice d'utilisation et  
d'entretien

**Dirt Devil**<sup>®</sup>




- Veuillez lire attentivement ces instructions avant d'utiliser votre aspirateur.

- Nous pouvons vous aider à assembler votre aspirateur et à répondre à vos questions. Pour cela composez le :

**11-800-321-1134**  
**(É.U. et Canada)**

**Enregistrement de garantie**

- En ligne à : [www.dirtdevil.com](http://www.dirtdevil.com)
- Téléphone: 1-800-321-1134
- Adresse postale : Royal Appliance Mfg  
7005 Cochran Rd.  
Glenwillow, Ohio 44139

**AVERTISSEMENT:**  L'assemblage de l'appareil comprend des petites pièces. Ces dernières présentent un danger d'étouffement.

Consignez les renseignements ci-dessous pour pouvoir les consulter rapidement.  
N° de modèle : \_\_\_\_\_  
Code de fabrication : \_\_\_\_\_  
(Le code de fabrication se trouve sur la partie inférieure arrière de l'aspirateur)

*Español - página E1*