



Distributed By:
Masterbuilt Manufacturing, Inc.
1 Masterbuilt Court
Columbus, Georgia 31907
1-800-489-1581

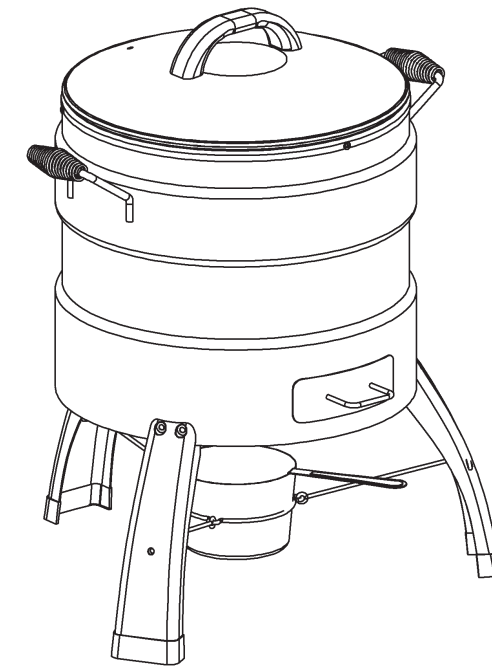


OIL FREE TURKEY FRYER

OPERATION MANUAL & SAFETY INSTRUCTIONS

MODEL: 20100809

THIS PRODUCT IS FOR OUTDOOR USE ONLY



MANUAL CODE: 9010090017 090317

Tool required for assembly: Phillips Head Screwdriver.

⚠ CARBON MONOXIDE HAZARD ⚠	⚠ WARNING ⚠
<p>Burning wood gives off carbon monoxide which can cause death.</p> <p>DO NOT burn wood chips inside homes, vehicles, tents, garages or any enclosed areas.</p> <p>Use only outdoors where it is well ventilated.</p>	<p>This manual contains important information necessary for the proper and safe use of this unit.</p> <p>Read and follow all warnings and instructions before using smoker and during use.</p> <p>Keep this manual for future reference.</p> <p>Some parts may have sharp edges handle with care.</p>
<p>Failure to follow these warnings and instructions properly could result in personal injury or death.</p>	



WARNINGS & IMPORTANT SAFEGUARDS



READ ALL INSTRUCTIONS

When using electrical appliances, basic safety precautions should always be followed including the following:

- For outdoor use only. Do not operate in an enclosed area.
- Unit **MUST** be on the ground. Do not place unit on tables or counters.
- Do not plug in oil free turkey fryer until fully assembled and ready for use.
- Use only approved grounded electrical outlet.
- Do not use during an electrical storm.
- Do not expose oil free turkey fryer to rain or water at anytime.
- To protect against electrical shock do not immerse cord, plug or control panel in water or other liquid.
- Do not operate any appliance with a damaged cord or plug, or after appliance malfunctions or has been damaged in any manner. Contact Masterbuilt Customer Service for assistance at 1-800-489-1581.
- Keep a fire extinguisher accessible at all times while operating oil free turkey fryer.
- Do not let cord touch hot surfaces.
- Do not place on or near a hot gas or electric burner, or in a heated oven.
- Keep children and pets away from oil free turkey fryer at all times. Do not allow children to use oil free turkey fryer. Close supervision is necessary should children or pets be in area where oil free turkey fryer is being used.
- Fuel, such as charcoal briquettes or heat pellets, are not to be used in oil free turkey fryer.
- Never use oil free turkey fryer as a heater (READ CARBON MONOXIDE HAZARD ON COVER).
- Use oil free turkey fryer only on a level, stable surface to prevent tipping.
- Oil free turkey fryer is HOT while in use and will remain HOT for a period of time afterwards. Use caution.
- Do not touch HOT surfaces.
- Do not allow anyone to conduct activities around oil free turkey fryer during or following its use until the unit has cooled. Oil free turkey fryer is HOT during operation and remains HOT for a period of time following use.
- The use of alcohol, prescription or non-prescription drugs may impair the user's ability to properly assemble or safely operate oil free turkey fryer.

WARNINGS & IMPORTANT SAFEGUARDS CONTINUED ON PAGE 2

LIMITED WARRANTY INFORMATION

Masterbuilt warrants its products to be free from defects in material and workmanship under proper assembly, normal use and recommended care for 90 days from the date of original retail purchase.

Masterbuilt warranty does not cover paint finish as it may burn off during normal use.

Masterbuilt warranty does not cover rust of the unit.

Masterbuilt requires reasonable proof of purchase for warranty claims and suggests that you keep your receipt. Upon the expiration of such warranty, all such liability shall terminate.

Within the stated warranty period, Masterbuilt, at its discretion, shall repair or replace defective components free of charge with owner being responsible for shipping. Should Masterbuilt require return of component(s) in question for inspection Masterbuilt will be responsible for shipping charges to return requested item.

This warranty excludes property damage sustained due to misuse, abuse, accident, damage arising out of transportation, or damage incurred by commercial use of this product.

This expressed warranty is the sole warranty given by Masterbuilt and is in lieu of all other warranties, expressed or implied including implied warranty, merchantability, or fitness for a particular purpose.

Neither Masterbuilt nor the retail establishment selling this product, has authority to make any warranties or to promise remedies in addition to or inconsistent with those stated above.

Masterbuilt's maximum liability, in any event, shall not exceed the purchase price of the product paid by the original consumer/purchaser. Some states do not allow the exclusion or limitation of incidental or consequential damages. In such a case, the above limitations or exclusions may not be applicable.

California residents only: Notwithstanding this limitation of warranty, the following specific restrictions apply; if service, repair, or replacement of the product is not commercially practical, the retailer selling the product or Masterbuilt will refund the purchase price paid for the product, less the amount directly attributable to use by the original buyer prior to the discovery of the nonconformity. Owner may take the product to the retail establishment selling this product in order to obtain performance under warranty.

This expressed warranty gives you specific legal rights, and you may also have other rights which vary from state to state.

Go Online www.masterbuilt.com

or complete and return to

Attn: Warranty Registration

Masterbuilt Mfg. Inc.

1 Masterbuilt Court - Columbus, GA 31907

Name: _____

Address: _____

City, State/Province, Postal Code: _____

Phone Number: _____ E-Mail Address: _____

Model Number: _____ Serial Number: _____

Purchase Date: _____ Place of Purchase: _____

TROUBLESHOOTING GUIDE

SYMPTOM	CAUSE	POSSIBLE SOLUTION
Power light won't come on	Not plugged into outlet	Check outlet connection
	Control unit cord not plugged into unit	Check unit connection
	House fuse tripped	Make sure other appliances are not operating on the same electrical circuit. Check household fuses
	Controller malfunctioning	Contact Masterbuilt at 1.800.489.1581
Unit takes excessive amount of time to heat up, or not enough heat	Unit plugged into an extension cord	Set unit so an extension cord does not have to be used
	Lid not in place	Close lid to retain heat in unit
	Controller malfunctioning	Contact Masterbuilt at 1-800-489-1581
Controller does not adjust heat	Not plugged into outlet	Check wall connection
	Control unit cord not plugged into unit	Check unit connection
	Controller malfunctioning	Contact Masterbuilt at 1-800-489-1581
Unit reaches extremely high temperatures	Temperature setting too high	Adjust controller to lower setting
	Controller/element malfunctioning	Contact Masterbuilt at 1-800-489-1581
Power light is on, unit isn't heating	Faulty element	Contact Masterbuilt at 1.800.489.1581
	Controller malfunctioning	Contact Masterbuilt at 1.800.489.1581

**If symptom is not listed here OR in FAQ section,
please contact Masterbuilt at 1-800-489-1581**



WARNINGS & IMPORTANT SAFEGUARDS continued



- Avoid bumping or impacting oil free turkey fryer.
- Never move oil free turkey fryer when in use. Allow oil free turkey fryer to cool completely before moving or storing.
- Be careful when removing food from oil free turkey fryer. All surfaces are HOT and may cause burns. Use protective gloves or long, sturdy cooking tools.
- Drip cup is only for the bottom of oil free turkey fryer. Do not put drip cup on cooking rack as this may damage oil free turkey fryer.
- Wood chip tray is HOT when oil free turkey fryer is in use. Use caution when adding wood.
- To disconnect, turn control panel "OFF" then remove plug from outlet.
- Unplug from outlet when not in use and before cleaning. Allow unit to cool completely before adding/removing parts.
- Accessory attachments not supplied by Masterbuilt Manufacturing, Inc. are not recommended and may cause injury.
- Never use oil free turkey fryer for anything other than its intended purpose. This unit is not for commercial use.
- Always use oil free turkey fryer in accordance with all applicable local, state and federal fire codes.

SAVE THESE INSTRUCTIONS.



IMPORTANT INFORMATION



DO NOT USE AN EXTENSION CORD WITH THIS PRODUCT

- Use of an extension cord causes loss of energy and unit may not heat properly.
- Use of an extension cord increases risk of entanglement or tripping.



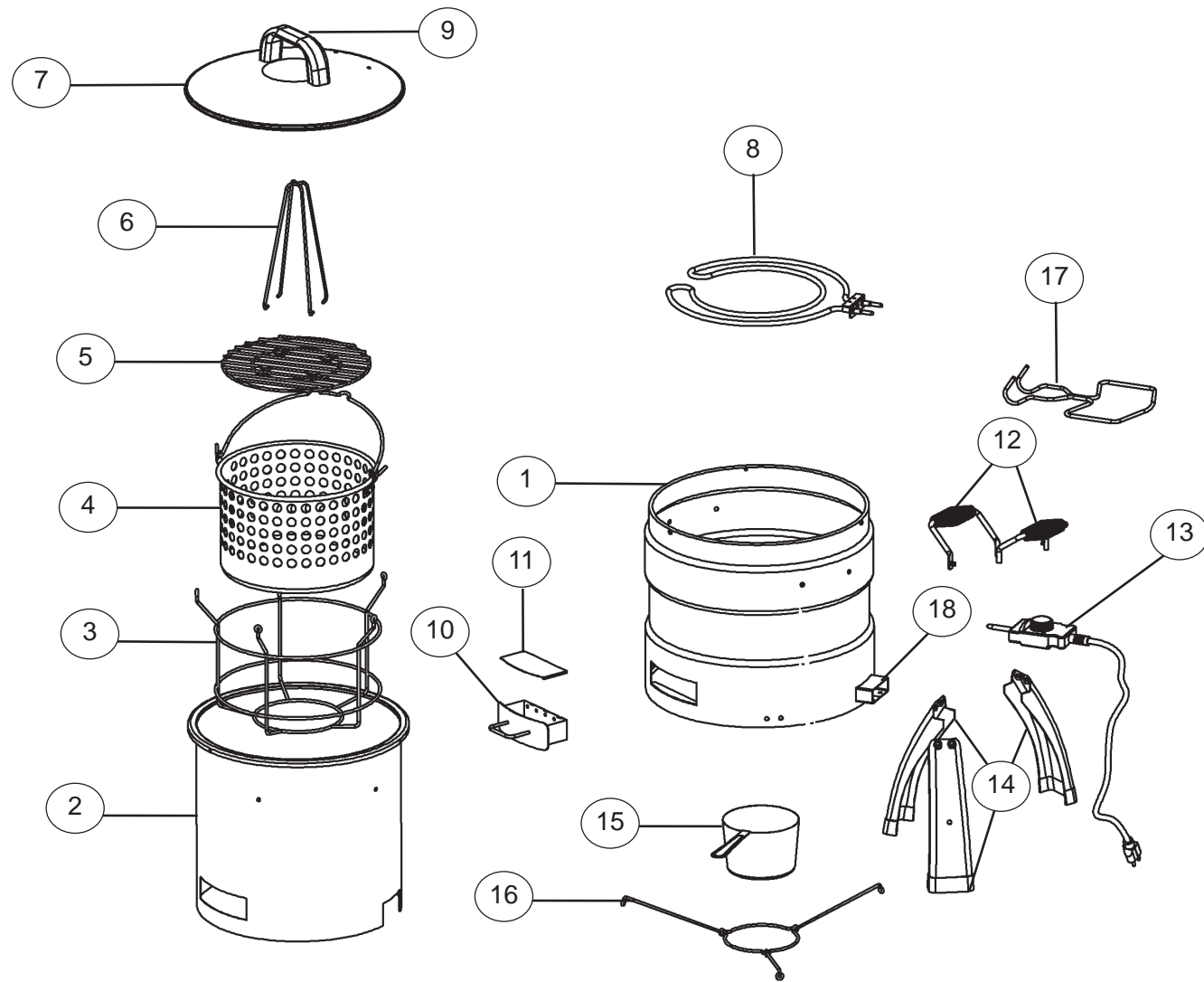
WARNING



Combustion by-product produced when using this product contains chemicals known to the State of California to cause birth defects, other reproductive harm, or cancer.

The materials used in this product may contain lead a chemical known to the State of California to cause birth defects and other reproductive harm.

PARTS LIST



PART	QUANTITY	DESCRIPTION	PART	QUANTITY	DESCRIPTION
1	1	Outer Shell	10	1	Wood Chip Tray
2	1	Inner Lining	11	1	Wood Chip Tray Lid
3	1	Basket Hanger	12	2	Side Handle
4	1	Basket	13	1	Control Panel w/ Cord
5	1	Cooking Rack	14	3	Leg
6	1	Turkey Stand	15	1	Drip Cup
7	1	Lid	16	1	Drip Cup Holder
8	1	Element	17	1	Lifting Hook
9	1	Lid Handle	18	1	Control/Element Bracket

STORAGE & MAINTENANCE

Masterbuilt recommends cleaning unit prior to use.

After use, turn appliance off, unplug and let cool before cleaning or storing.

Remove drip cup and rinse thoroughly using mild detergent.

Clean lid, cooking rack, turkey stand, and basket with a damp cloth or sponge using a mild detergent. Rinse and dry thoroughly. These parts may also be cleaned in a dishwasher.

Clean outer shell, inner lining cord, and control panel with a damp cloth or sponge using a mild detergent. Dry thoroughly. NEVER put these parts in a dishwasher or submerge in water.

ALWAYS MAKE SURE UNIT IS UNPLUGGED AND COOL TO THE TOUCH BEFORE CLEANING AND STORING.

NOTES

WOOD FLAVOR GUIDE FOR MEATS

WOOD FLAVOR	POULTRY	FISH	HAM	BEEF	PORK	LAMB
Hickory Pungent, smoky, bacon-like flavor	✓	✓	✓	✓	✓	
Mesquite Sweet and delicate flavor	✓			✓		✓
Alder Delicate, wood smoke flavor	✓	✓			✓	
Pecan Bold and hearty flavor	✓	✓			✓	
Maple Sweet, subtle flavor	✓				✓	
Apple Sweet, delicate flavor	✓	✓			✓	
Cherry Sweet, delicate flavor	✓				✓	

TO ENSURE THAT IT IS SAFE TO EAT, FOOD MUST BE COOKED TO THE MINIMUM INTERNAL TEMPERATURES LISTED IN THE TABLE BELOW.

USDA* Safe Minimum Internal Temperatures	
Fish	145°F (63°C)
Pork	160°F (71°C)
Egg Dishes	160°F (71°C)
Steaks and Roasts of Beef, Veal or Lamb	145°F (63°C)
Ground Beef, Veal or Lamb	160°F (71°C)
Whole Poultry (Turkey, Chicken, Duck, etc.)	165°F (74°C)
Ground or Pieces Poultry (Chicken Breast, etc.)	165°F (74°C)

* United States Department of Agriculture

HARDWARE LIST



(A)
M5x12
Pan Head Screw
Qty:13



(B)
M5
Hex Nut
Qty:3

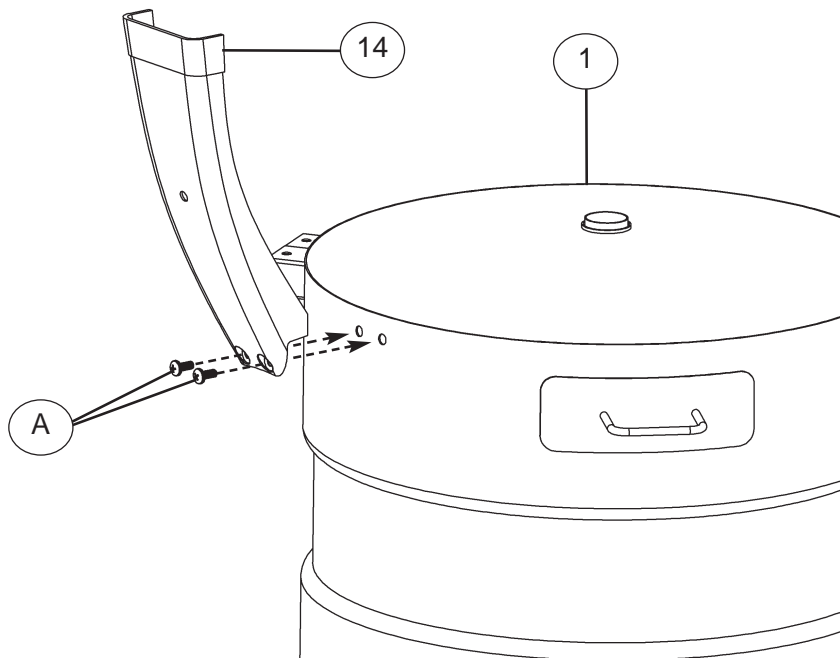


DO NOT RETURN TO RETAILER
For Assembly Assistance, Missing or Damaged Parts
Call: MASTERBUILT Customer Service at 1-800-489-1581 or
EMAIL us at Customerservice@masterbuilt.com.

REPLACEMENT PARTS LIST

PART	ITEM NO.	DESCRIPTION	PART	ITEM NO.	DESCRIPTION
1	9910090001	Outer Shell Kit	16	9910090009	Drip Cup Holder
2	9910090002	Inner Shell Kit	8	99910090010	Element Kit
7	9910090003	Glass Lid Kit	13	9010090012	Control Panel
9	9910090004	Lid Handle Kit	17	9001090020	Lifting Hook
12	9910190005	Side Handle Kit (1per)	6	9010090013	Turkey Stand
18	9910090006	Control/ Element Bracket Kit	4	9010090014	Basket
14	9910090007	Leg Kit (1per)	10	9010090015	Wood Chip Tray
3	9910090008	Basket Hanger Kit	15	9010090016	Drip Cup
	9010090001	Hardware Kit		9010090017	Instruction Manual

ASSEMBLY Before assembly read instructions carefully. Assemble grill on a clean, flat surface.
Tool needed for assembly: Phillips Head Screwdriver

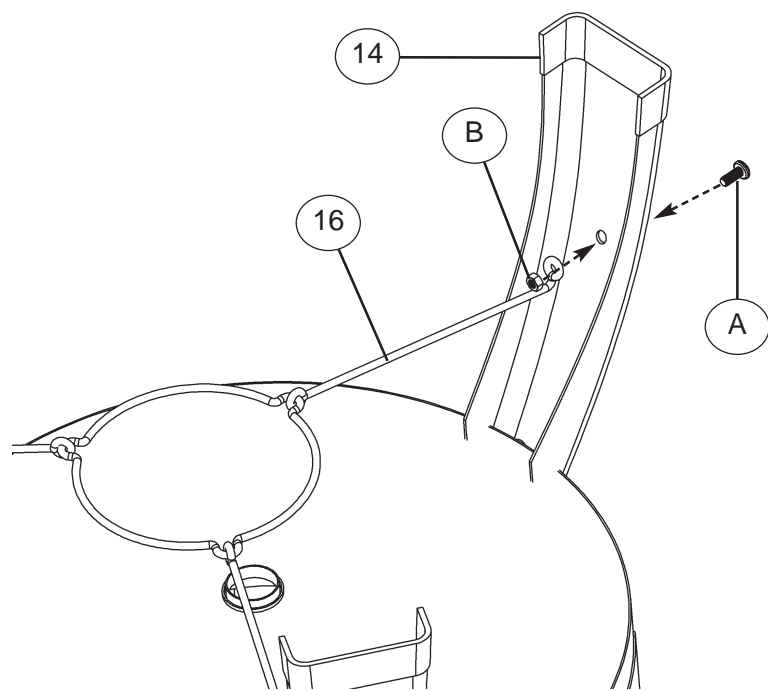


1 Attach leg (14) to outer shell (1) using pan head screws (A) as shown.

Repeat for remaining legs.

2 Attach drip cup holder (16) to leg (14) using pan head screw (A) and hex nut (B) as shown.

Repeat for remaining legs.



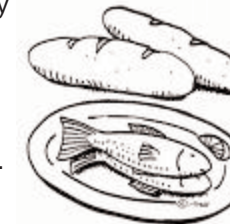
RECIPES

ROASTED FISH ON ROSEMARY

- 1 tablespoon olive oil
- 1 (12-ounce) boneless fish fillet, 1 inch thick
- 1/8 teaspoon salt
- 1/8 teaspoon freshly ground black pepper
- 8 sprigs fresh rosemary
- 2 teaspoons chopped fresh rosemary
- 1 lemon, thinly sliced

Preheat unit on HI setting.

Heat oil in a medium non-stick skillet over high heat just until hot. Sprinkle fish with salt and pepper. Sear fish 1 to 2 minutes on each side. Place rosemary sprigs in bottom of basket. Place fish on top of rosemary. Sprinkle fish with chopped rosemary, and top with lemon slices. Roast on HI for 10 minutes or just until fish is opaque.



ROASTED PEACH SUNDAES

- 3 ripe peaches, halved and pitted
- 1 tablespoon brown sugar
- 2 teaspoons lemon juice
- 3 cups nonfat vanilla frozen yogurt
- 6 gingersnaps, crumbled

Set controller on MED-HI setting. Toss peach halves with brown sugar and lemon juice, and place them cut-side-up in basket. Roast until the peaches are tender, 20 to 30 minutes.

Top each peach half with a 1/2-cup scoop of frozen yogurt and a sprinkle of crumbled gingersnaps (if using). Serve immediately.



ROASTED TOMATOES

- 4 medium size ripe tomatoes, cut in half
- 4 tablespoons extra virgin olive oil
- 2 tablespoons fresh chopped herbs (oregano, marjoram, parsley, thyme or rosemary)
- Sea salt and freshly ground pepper to taste

Set controller to MED. Drizzle the oil over tomatoes, sprinkle the herbs on top. Place tomatoes in basket, cut sides facing up. Roast for 30 - 40 minutes, or until they are very tender. Serve warm or at room temperature, seasoned with salt and pepper to taste.

ROASTED CHICKEN

- 1 whole chicken 4 to 4 1/2 lb.
- Olive oil as needed
- Freshly ground pepper, to taste
- 6 to 8 bacon slices
- 2 tablespoons finely diced shallots
- 1 teaspoon all-purpose flour
- 1/2 cup white wine
- 2 tablespoons chicken demi-glace
- 1 cup chicken broth
- 1 teaspoon minced fresh thyme
- 2 tablespoons cold unsalted butter, cut into 2 pieces

Wash and blot the chickens dry with paper towels. Rub the back sides with olive oil and season on both sides with pepper. Place chicken on stand, breast side up in basket. Tuck the wings behind the breasts. Drape the bacon slices over the breasts.

Set controller on HI. Roast until an instant-read thermometer inserted into the thickest part of a thigh, away from the bone, registers 170°F (77°C), 1 to 1 1/4 hours. Transfer the chicken to a carving board, cover loosely with foil and let rest for 10 minutes.

Set a pan over medium-high heat and warm olive oil. Add the shallots and cook, stirring occasionally, until softened, about 2 minutes. Stir in the flour and cook for 30 seconds. Add the wine, stirring to scrape up the browned bits, then whisk in the demi-glace and broth. Simmer until the sauce is slightly thickened, 3 to 4 minutes. Remove the pan from the heat and whisk in the thyme and butter.

Carve chicken and arrange on a warmed platter. Drizzle with sauce and store remaining sauce alongside.

ROASTED PORK

- 1 (2 1/2 lb.) pork tenderloin roast
- 2 teaspoons mint leaves (freeze dried)
- 2 cloves garlic
- Salt & pepper
- Italian salad dressing

Cut up garlic in small bits. Add 1 teaspoon mint and salt and pepper. Cut slits in roast and stuff with dry mixture. Coat roast with remaining mint leaves. Place roast in plastic bag and dribble about 1/4 jar of Italian seasoning. Marinate overnight. Roast on MED until internal temperature is 160°F (71°C).

RECIPES

ROASTED TURKEY

A 10-12lb (4.5-5.4kgs) turkey is recommended. However, you can roast up to an **18 lb (8.16kgs)** turkey in this unit.
DO NOT EXCEED 18 lbs (8.16kgs).

Frozen turkeys that are to be used should be thoroughly defrosted 35°- 40°F (1.6°- 4.4°C). The turkey may be rinsed on the outside and in the cavities with warm water to remove any possibility of remaining ice crystals and then dried thoroughly with paper towels before roasting.

THAWING TURKEY

Allow approximately 24 hours for every 4lbs (1.8kgs) of turkey thawed in the refrigerator.

COOKING INSTRUCTIONS

1. Ensure that the turkey is completely thawed and free of ice. Remove neck and giblet bag.
Pay special attention to inner cavity area when checking for ice or water.
 2. Pre-soak 1 cup wood chips for at least 30 minutes (optional for smoke flavor).
 3. Place 1 cup of wood chips in wood chip tray (optional for smoke flavor).
 4. Set control dial to HIGH.
 5. Prepare the turkey. Inject with Butterball®Marinade, season inside and outside of the turkey with Butterball®Turkey Seasoning (Seasonings not included).
 6. **CALCULATE COOKING TIME**
The formula for calculating turkey cooking time is 10 minutes per pound (0.45kg) or until a food thermometer reads a temperature of 165°F-170°F (74°C-77°C) 2 inches (5.08cm) into the deepest part of the turkey breast.

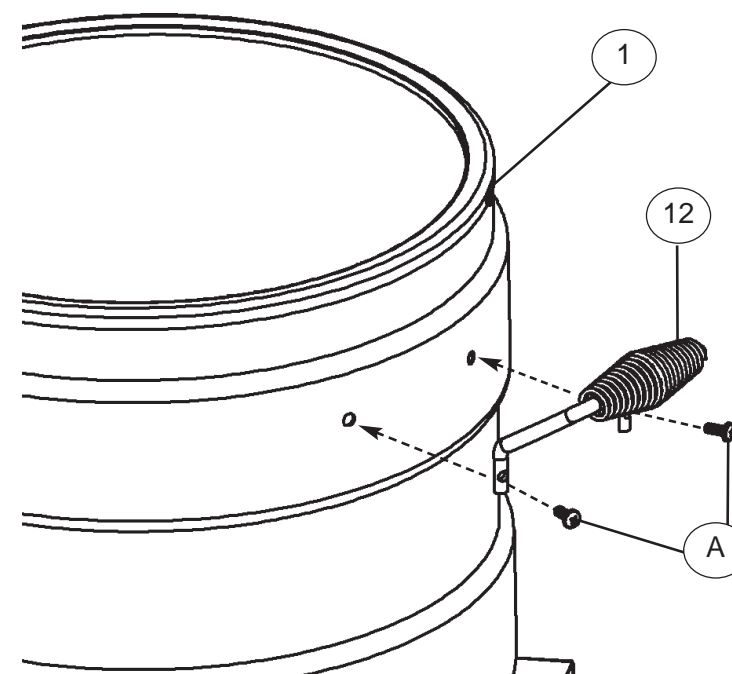
12 lbs - weight listed on tag	
X 10 min	
	120 min <i>Total Cooking Time</i>
 7. Indicator light will turn off when set temperature is reached.
 8. Place turkey on turkey stand vertically in basket, breast side up (see pg. 8).
 9. Insert thermometer into deepest part of turkey breast (see pg. 8).
 10. Wearing protective gloves or mitts, hook the basket handle with the lifting hook and slowly lower the basket into oil free turkey fryer.
 11. With basket in place, close lid.
 12. Set a timer.
 13. Be certain to cook for complete calculated time, or until internal temperature in turkey breast reaches 165°F (74°C).
 14. When time is up, turn the control panel to OFF and unplug from outlet. Lift the basket from the oil free turkey fryer slowly.
Place on a heat-resistant surface.
 15. Carefully transfer turkey from basket to serving platter.
 16. Let turkey rest 10-15 minutes.
- NOTE:**
- Cooking conditions vary. Insert a food thermometer 2 inches (5.08cm) into the deepest part of turkey breast and make sure an internal temperature of 165°F-170°F (74°C-77°C) is reached.
 - Butterball turkey is recommended however if you have another brand please remove the pop-up cooking indicator and leg ties.

TURKEY BREAST WITH ROASTED VEGETABLES

- 1 bone-in whole turkey breast, about 5 pounds
- 4 tbsp. (1/2 stick) unsalted butter, softened
- 1 tsp. garlic
- 1/2 tsp. each salt and freshly ground pepper
- 1 yellow onion
- 6 carrots
- 1 pound Brussels sprouts
- 8 red new potatoes
- 1/4 cup olive oil

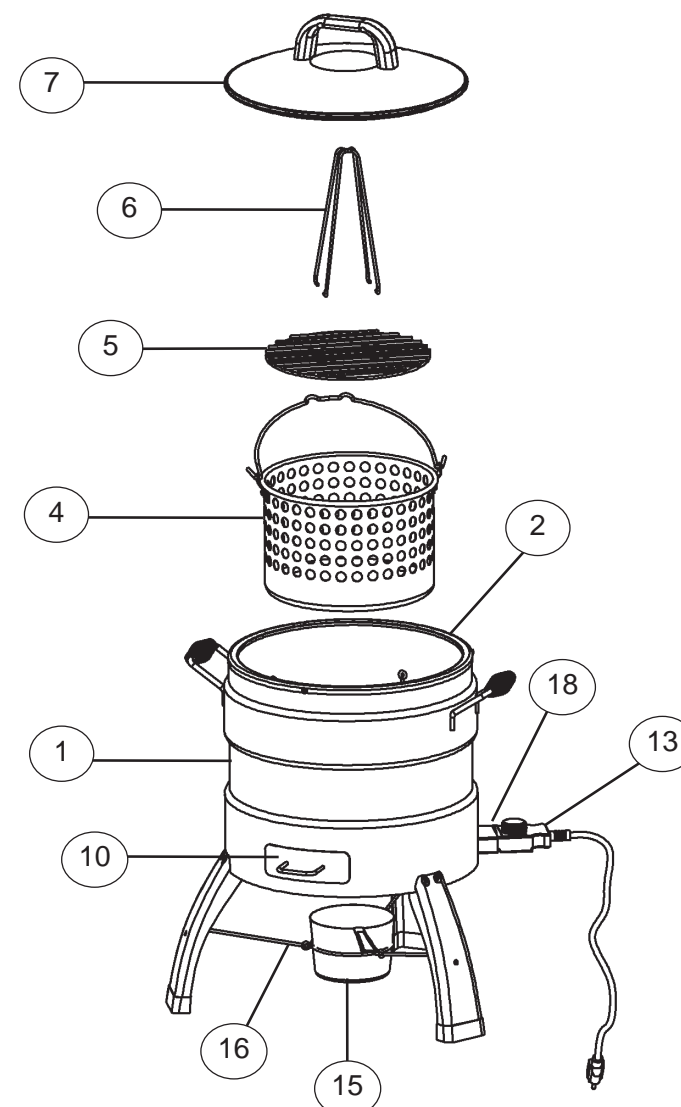
Peel and cut carrots into 2-inch chunks. Set controller to MED. Mix 2 tablespoons butter, garlic, salt and pepper together. Spread mixture over the turkey breast. Place breast in basket. Roast the turkey for 1 hour. Toss the vegetables with olive oil and scatter the onion, carrots, Brussels sprouts and potatoes. Spread around turkey and sprinkle with salt and pepper. Continue to roast for about 1 hour more until breasts are well browned and an instant-read thermometer inserted into the thickest part of the breast registers 165° F (74°C). Remove the turkey to a cutting board, cover and let rest for 20 minutes. Stir the vegetables. Continue to cook the vegetables while the turkey rests. Slice the turkey and serve on a platter with the roasted vegetables.

ASSEMBLY STEPS



- 3 Secure side handles (12) to outer shell (1) using pan head screws (A).

Repeat step on opposite side.



- 4 Place basket (4) into inner lining (2).

Insert cooking rack (5) and turkey stand (6) into basket (4).

Place lid (7) on assembled unit.

Insert wood chip tray with wood tray lid (10) into outer shell (1).

Place drip cup (15) into drip cup holder (16).

Connect control panel (13) into control element bracket (18) as shown.

UNIT IS READY FOR USE

OPERATING INSTRUCTIONS



Step 1

Connect control panel into control element bracket.

Step 2

Plug power cord into an outlet (refer to "Warnings & Important Safeguards" section of manual).

Step 3

Turn control knob to desired setting. Indicator light will turn off when set temperature is reached.

Note: Never use an extension cord. This will reduce wattage, lowering the temperature of the element resulting in longer cooking time.

TURKEY PREPARATION



Rinse turkey thoroughly with warm water or soak in a warm water bath for no more than 30 minutes to ensure cavities are free of ice.



If desired inject turkey with Butterball® Marinade (not included). Insert 4 to 8 oz into each side of turkey breast, thigh, leg, and wing (total 8 to 16 oz).

TURKEY PREPARATION



3 Season inside and outside of turkey with Butterball® Turkey Seasoning (not included).



4 Center inner cavity of turkey over stand as shown. Carefully push turkey down on stand.



5 Turkey should be vertical with breast side up in basket.



6 Insert thermometer into deepest part of turkey breast.

TO ORDER BUTTERBALL® SEASONING KIT CALL 1-800-489-1581

TIPS FOR USING WOOD CHIP TRAY

- Pre-soak wood chips for at least 30 minutes.
- Before starting unit, place 1 cup of wood chips in wood chip tray.
- Never use more than 1 cup of wood chips at a time.
- Wood chips should be no higher than level with top rim of wood chip tray.
- Check wood chip tray periodically to see if wood has burned down. Add more chips as needed.
- Wood chip loader MUST be in place when using oil free turkey fryer.
- Do not leave old wood ashes in the wood chip tray. Once ashes are cold empty tray. Tray should be cleaned out prior to and after each use to prevent ash buildup.
- Should wood chips flare up, immediately close lid, wait for wood chips to burn down. Do not spray with water.

⚠ CAUTION ⚠

- Do NOT operate appliance with a damaged cord, plug, or after appliance malfunctions, or has been damaged in any manner. Contact Masterbuilt Customer Service for assistance at 1-800-489-1581.