

LP Gas Grill Owner's Guide

Assembly, Ensamblaje, Assemblage - Pg. 8

ESNA Guía del Propietario del Asador de Gas Licuado de Propano - Pg. 17

FC Guide de L'Utilisateur du Grill à Gaz PL - Pg. 29

#54329

PLACE STICKER HERE

Register your grill online at www.weber.com

⚠ DANGER

If you smell gas:

1. Shut off gas to the appliance.
2. Extinguish any open flame.
3. Open lid.
4. If odor continues, keep away from the appliance and immediately call your fire department.

Failure to follow these instructions could result in fire or explosion, which could cause property damage, personal injury or death.

THIS GAS APPLIANCE IS INTENDED FOR OUTDOOR USE ONLY.

⚠ DANGER

1. Never operate this appliance unattended.
2. Never operate this appliance within 10 ft (3 m) of any structure, combustible material or other gas cylinder.
3. Never operate this appliance within 25 ft (7.5 m) of any flammable liquid.
4. If a fire should occur, keep away from the appliance and immediately call your fire department. Do not attempt to extinguish an oil or grease fire with water.

Failure to follow these instructions could result in fire, explosion or burn hazard, which could cause property damage, personal injury or death.

- ⚠ This instruction manual contains important information necessary for the proper assembly and safe use of the appliance.
- ⚠ Read and follow all warnings and instructions before assembling and using the appliance.
- ⚠ Follow all warnings and instructions when using the appliance.
- ⚠ Keep this manual for future reference.



DANGERS AND WARNINGS

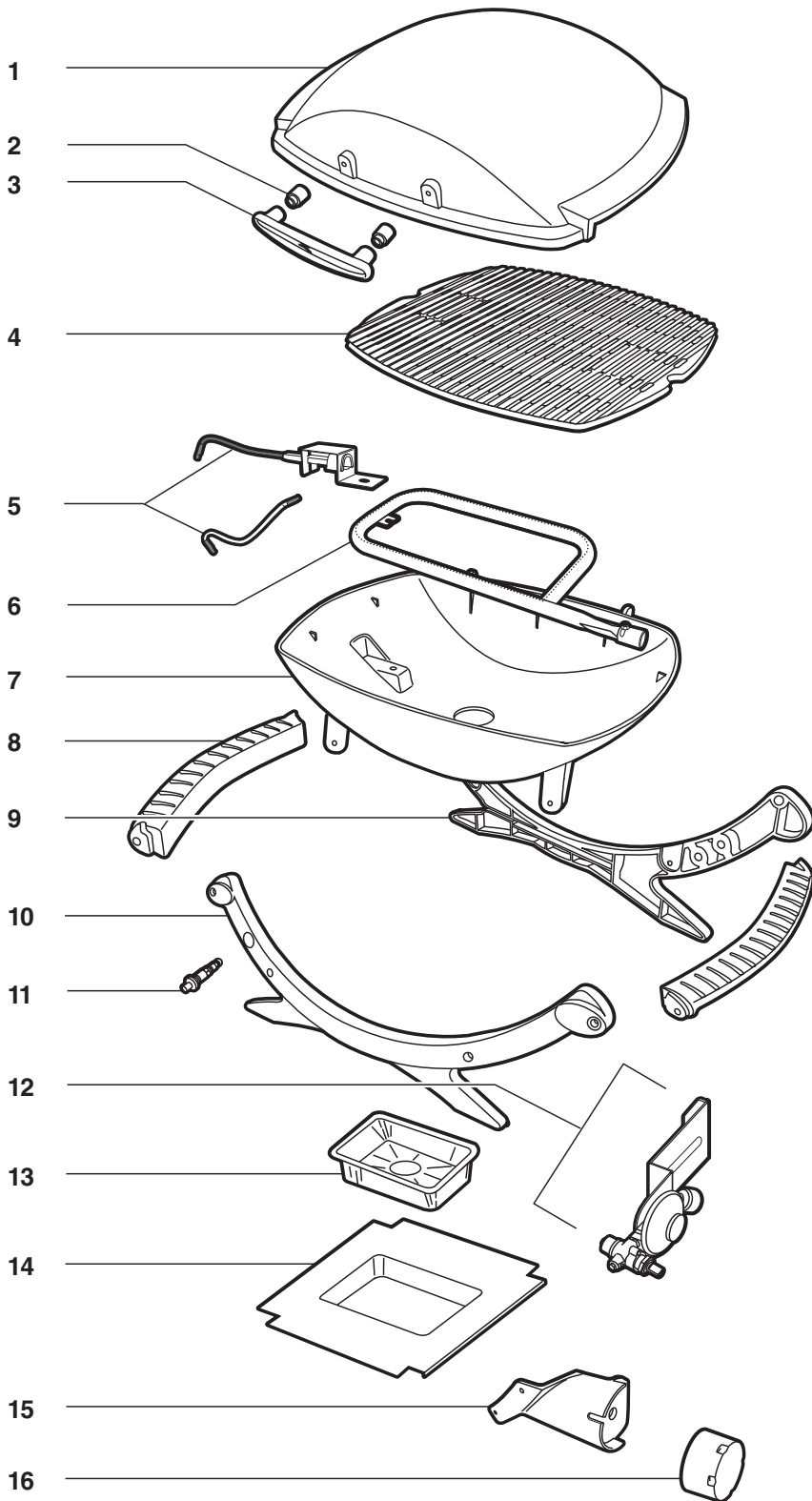
- ⚠ Follow all leak-check procedures carefully in this manual prior to barbecue operation. Do this even if the barbecue was dealer-assembled.
- ⚠ Do not store a spare or disconnected propane cylinder under or near this barbecue.
- ⚠ Improper assembly may be dangerous. Please carefully follow the assembly instructions in this manual.
- ⚠ After a period of storage, and/or nonuse, the Weber® gas barbecue should be checked for gas leaks and burner obstructions before use. See instructions in this manual for correct procedures.
- ⚠ Do not operate the Weber® gas barbecue if there is a gas leak present.
- ⚠ Do not use a flame to check for gas leaks.
- ⚠ Combustible materials should never be within 24 inches (63.5cm) of the back or sides of your Weber® gas barbecue.
- ⚠ Your Weber® gas barbecue should never be used by children. Accessible parts of the barbecue may be very hot. Keep young children away while it is in use.
- ⚠ You should exercise reasonable care when operating your Weber® gas barbecue. It will be hot during cooking or cleaning and should never be left unattended, or moved while in operation.
- ⚠ Should the burner go out while in operation, turn the gas valve off. Open the lid and wait five minutes before attempting to relight, using the ignition instructions.
- ⚠ Do not use charcoal or lava rock in your Weber® gas barbecue.
- ⚠ Never lean over an open grill or place hands or fingers on the front edge of the cookbox.
- ⚠ Should a grease fire occur, turn off the burner and leave lid closed until fire is out.
- ⚠ Do not enlarge valve orifice or burner ports when cleaning the valve or burner.
- ⚠ The Weber® gas barbecue should be thoroughly cleaned on a regular basis.
- ⚠ Use the regulator that is supplied with your Weber® gas barbecue.
- ⚠ Propane gas is not natural gas. The conversion or attempted use of natural gas in a propane unit or propane gas in a natural gas unit is dangerous and will void your warranty.
- ⚠ Do not attempt to disconnect any gas fitting while your barbecue is in operation.
- ⚠ Use heat-resistant barbecue mitts or gloves when operating the barbecue.
- ⚠ Keep any electrical supply cord away from any heated surfaces.
- ⚠ Combustion byproducts produced when using this product contain chemicals known to the state of California to cause cancer, birth defects, or other reproductive harm.
- ⚠ Do not use this barbecue unless all parts are in place. The unit must be properly assembled according to the instructions outlined in the “Assembly” instruction section of the Owner’s Guide.
- ⚠ Do not use the Weber® Q® grill in a vehicle trunk, station wagon, mini-van, sport utility vehicle (SUV), or recreational vehicle (RV).
- ⚠ Do not attempt to disconnect the gas regulator or any gas fitting while your barbecue is in operation.
- ⚠ Do not build this model of grill in any built-in or slide in construction. Ignoring this Warning could cause a fire or an explosion that can damage property and cause serious bodily injury or death.
- ⚠ Proposition 65 Warning: Handling the brass material on this product exposes you to lead, a chemical known to the state of California to cause cancer, birth defects or other reproductive harm. (Wash hands after handling this product.)
- ⚠ If you see, smell or hear the hiss of escaping gas from the propane cylinder:
 1. Move away from propane cylinder.
 2. Do not attempt to correct the problem yourself.
 3. Call your fire department.

TABLE OF CONTENTS

DANGERS AND WARNINGS	2	BEFORE USING THE BARBECUE	11
TABLE OF CONTENTS	3	CATCH PAN AND DISPOSABLE DRIP PAN	11
EXPLODED VIEW Q100	4	IGNITER INSPECTION FOR MODELS WITH ELECTRONIC IGNITION	11
EXPLODED VIEW Q120	5	IGNITION INSTRUCTIONS	12
EXPLODED VIEW Q200	6	IGNITION	12
EXPLODED VIEW Q220	7	TO EXTINGUISH	12
PARTS LIST	8	MANUAL IGNITION	13
ASSEMBLY	8	TO EXTINGUISH	13
WARRANTY	9	GRILLING TIPS & HELPFUL HINTS	13
GENERAL INSTRUCTIONS	9	PREHEATING THE BARBECUE	13
CANADIAN INSTALLATION	9	COOKING	13
OPERATING	9	TROUBLESHOOTING	14
STORAGE AND/OR NONUSE	9	MAINTENANCE	15
GAS INSTRUCTIONS	10	CLEANING	15
ATTACH THE PROPANE CYLINDER	10	BURNER TUBE CLEANING OR REPLACEMENT	15
CHECK FOR GAS LEAKS	10	WEBER® SPIDER/INSECT SCREENS	15
		PUSH-BUTTON IGNITION SYSTEM OPERATIONS	16
		ELECTRONIC IGNITION SYSTEM OPERATIONS	16
		ANNUAL MAINTENANCE	16

EXPLODED VIEW Q100 • DIAGRAMA DE DESPIECE Q100 • VUE ECLATEE Q100

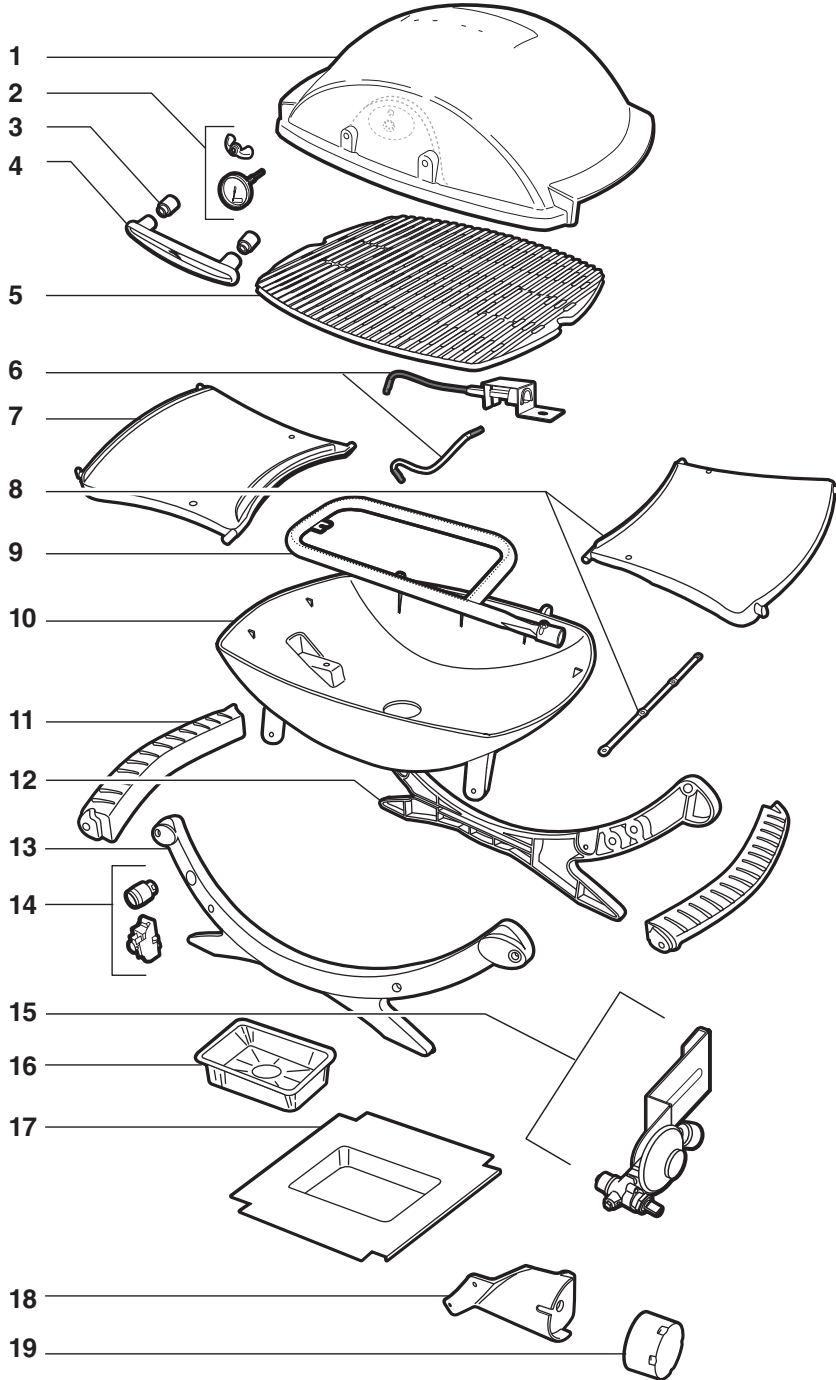
Q100_US_LP_072710



1. **Lid**
Tapa
Couvercle
2. **Handle Spacer**
Espaciador del asa
Ecarteur de poignée
3. **Handle**
Asa
Poignée
4. **Cooking Grate**
Rejilla de cocción
Grille de cuisson
5. **Igniter Electrode Assembly**
Ensamble del electrodo encendedor
Assemblage de l'électrode de l'allumeur
6. **Burner Tube**
Tubo del quemador
Tube du brûleur
7. **Cookbox**
Caja de cocción
Boîtier de cuisson
8. **Carrying Handle**
Asa de carga
Poignée de transport
9. **Rear Cradle**
Jaula posterior
Berceau arrière
10. **Front Cradle**
Jaula delantera
Berceau avant
11. **Igniter**
Encendedor
Allumeur
12. **Valve and Regulator Assembly**
Ensamble de la válvula y regulador
Assemblage valve et régulateur
13. **Disposable Drip Pan**
Bandeja de goteo desechable
Egouttoir jetable
14. **Catch Pan**
Plato recolector
Egouttoir
15. **Control Panel**
Tablero de control
Panneau de commande
16. **Control Knob**
Perilla de control
Bouton de commande

EXPLODED VIEW Q120 • DIAGRAMA DE DESPIECE Q120 • VUE ECLATEE Q120

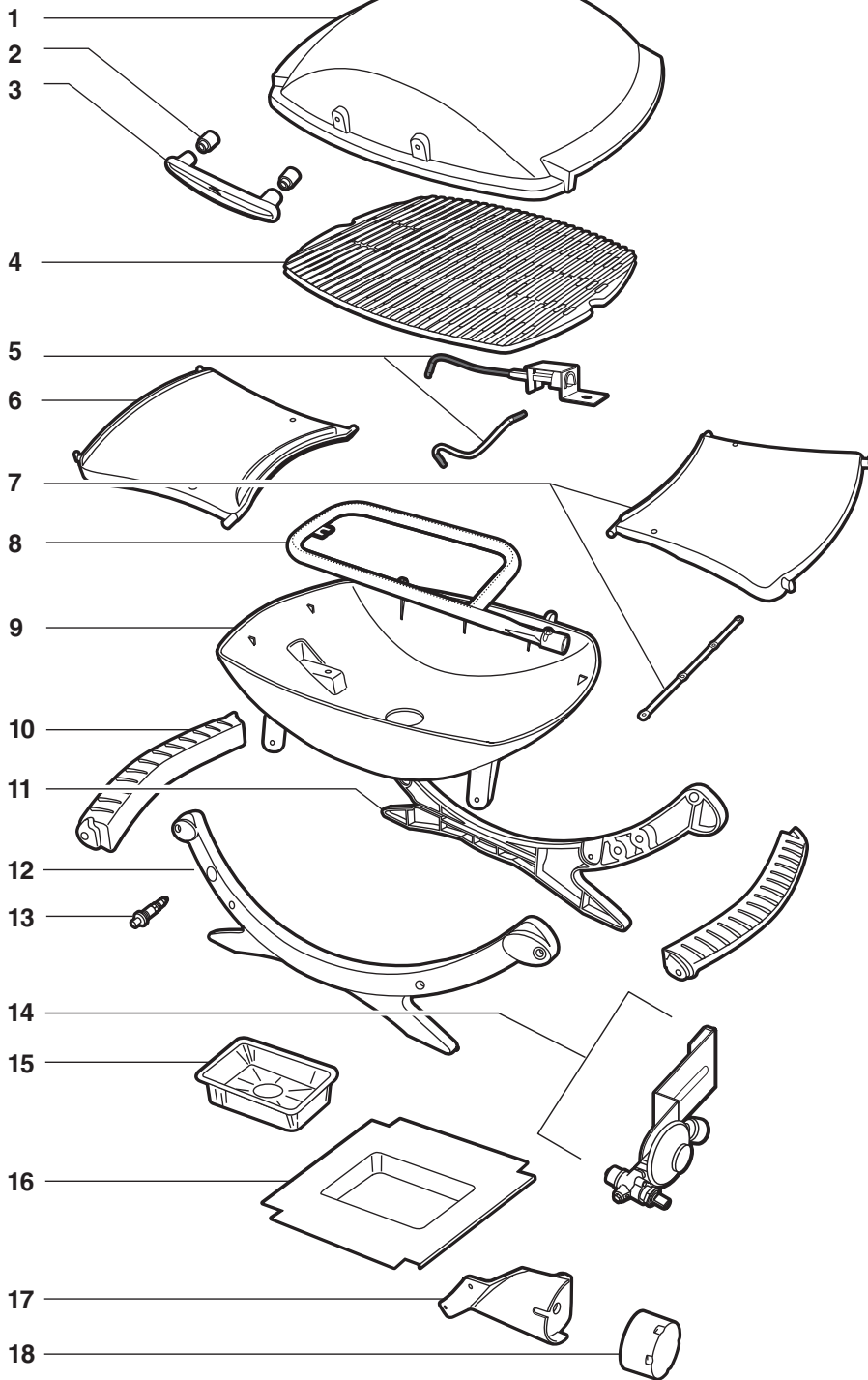
Q120_US_LP_072710



1. **Lid**
Tapa
Couvercle
2. **Thermometer**
Termómetro
Thermomètre
3. **Handle Spacer**
Espaciador del asa
Ecarteur de poignée
4. **Handle**
Asa
Poignée
5. **Cooking Grate**
Rejilla de cocción
Grille de cuisson
6. **Igniter Electrode Assembly**
Ensamble del electrodo encendedor
Assemblage de l'électrode de l'allumeur
7. **Left Side Table**
Mesa lateral izquierda
Tablette latérale gauche
8. **Right Side Table Assembly**
Ensamble de la mesa lateral derecha
Assemblage de la tablette latérale droite
9. **Burner Tube**
Tubo del quemador
Tube du brûleur
10. **Cookbox**
Caja de cocción
Boîtier de cuisson
11. **Carrying Handle**
Asa de carga
Poignée de transport
12. **Rear Cradle**
Jaula posterior
Berceau arrière
13. **Front Cradle**
Jaula delantera
Berceau avant
14. **Igniter Button/Igniter Module**
Módulo del botón encendedor/encendedor
Bouton de l'allumeur/Module de l'allumeur
15. **Valve and Regulator Assembly**
Ensamble de la válvula y regulador
Assemblage valve et régulateur
16. **Disposable Drip Pan**
Bandeja de goteo desechable
Egouttoir jetable
17. **Catch Pan**
Plato recolector
Egouttoir
18. **Control Panel**
Tablero de control
Panneau de commande
19. **Control Knob**
Perilla de control
Bouton de commande

EXPLODED VIEW Q200 • DIAGRAMA DE DESPIECE Q200 • VUE ECLATEE Q200

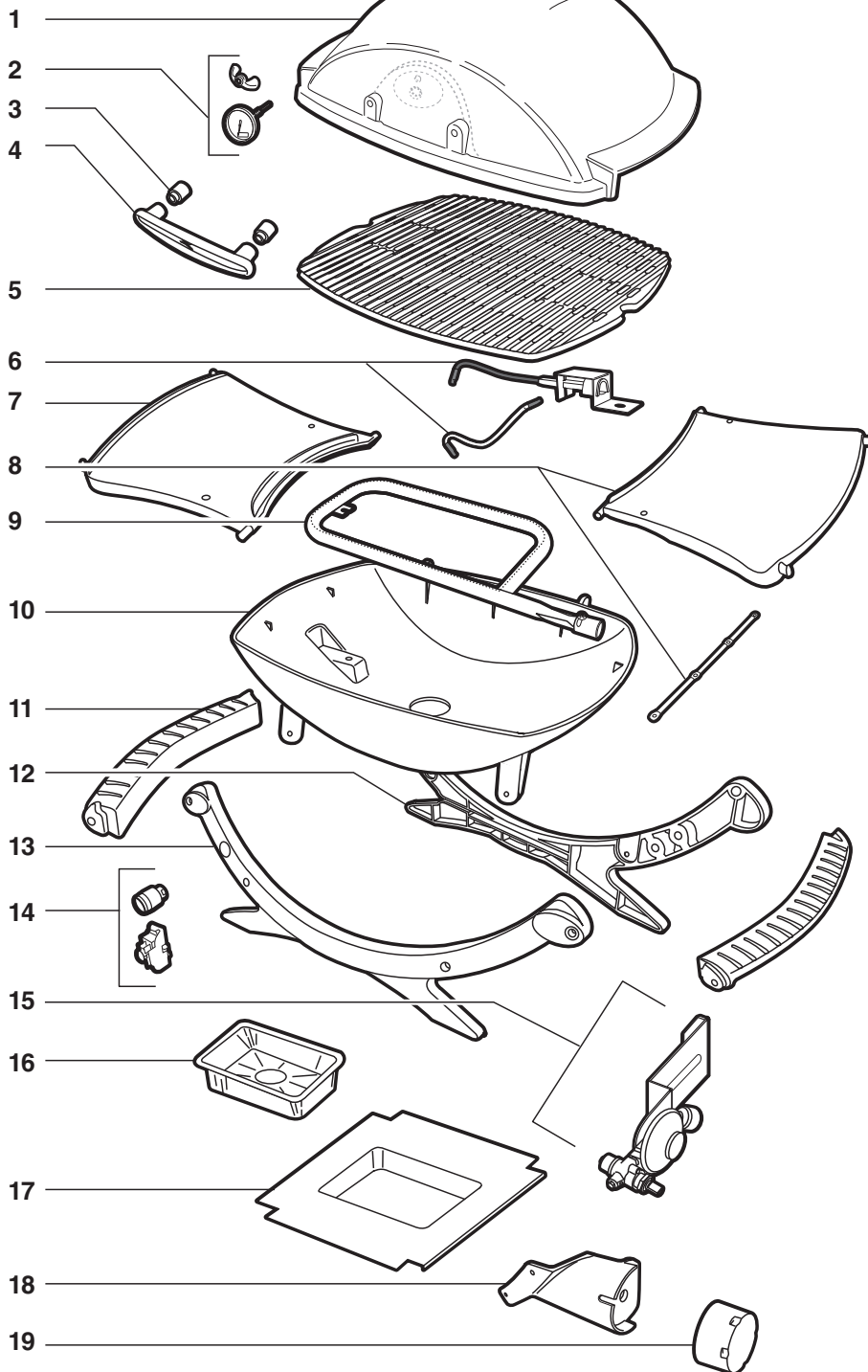
Q200_US_LP_072710



1. **Lid**
Tapa
Couvercle
2. **Handle Spacer**
Espaciador del asa
Ecarteur de poignée
3. **Handle**
Asa
Poignée
4. **Cooking Grate**
Rejilla de cocción
Grille de cuisson
5. **Igniter Electrode Assembly**
Ensamble del electrodo encendedor
Assemblage de l'électrode de l'allumeur
6. **Left Side Table**
Mesa lateral izquierda
Tablette latérale gauche
7. **Right Side Table Assembly**
Ensamble de la mesa lateral derecha
Assemblage de la tablette latérale droite
8. **Burner Tube**
Tubo del quemador
Tube du brûleur
9. **Cookbox**
Caja de cocción
Boîtier de cuisson
10. **Carrying Handle**
Asa de carga
Poignée de transport
11. **Rear Cradle**
Jaula posterior
Berceau arrière
12. **Front Cradle**
Jaula delantera
Berceau avant
13. **Igniter**
Encendedor
Allumeur
14. **Valve and Regulator Assembly**
Ensamble de la válvula y regulador
Assemblage valve et régulateur
15. **Disposable Drip Pan**
Bandeja de goteo desechable
Egouttoir jetable
16. **Catch Pan**
Plato recolector
Egouttoir
17. **Control Panel**
Tablero de control
Panneau de commande
18. **Control Knob**
Perilla de control
Bouton de commande

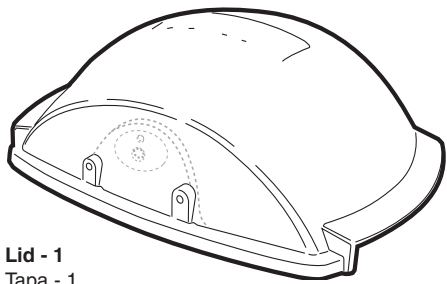
EXPLODED VIEW Q220 • DIAGRAMA DE DESPIECE Q220 • VUE ECLATEE Q220

Q220_US_LP_072710

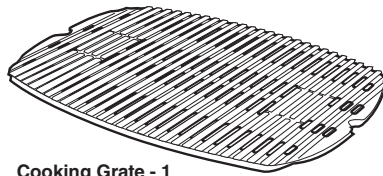


1. **Lid**
Tapa
Couvercle
2. **Thermometer**
Termómetro
Thermomètre
3. **Handle Spacer**
Espaciador del asa
Ecarteur de poignée
4. **Handle**
Asa
Poignée
5. **Cooking Grate**
Rejilla de cocción
Grille de cuisson
6. **Igniter Electrode Assembly**
Ensamble del electrodo encendedor
Assemblage de l'électrode de l'allumeur
7. **Left Side Table**
Mesa lateral izquierda
Tablette latérale gauche
8. **Right Side Table Assembly**
Ensamble de la mesa lateral derecha
Assemblage de la tablette latérale droite
9. **Burner Tube**
Tubo del quemador
Tube du brûleur
10. **Cookbox**
Caja de cocción
Boîtier de cuisson
11. **Carrying Handle**
Asa de carga
Poignée de transport
12. **Rear Cradle**
Jaula posterior
Berceau arrière
13. **Front Cradle**
Jaula delantera
Berceau avant
14. **Igniter Button/Igniter Module**
Módulo del botón encendedor/encendedor
Bouton de l'allumeur/Module de l'allumeur
15. **Valve and Regulator Assembly**
Ensamble de la válvula y regulador
Assemblage valve et régulateur
16. **Disposable Drip Pan**
Bandeja de goteo desechable
Egouttoir jetable
17. **Catch Pan**
Plato recolector
Egouttoir
18. **Control Panel**
Tablero de control
Panneau de commande
19. **Control Knob**
Perilla de control
Bouton de commande

PARTS LIST • LISTA DE PARTES • LISTE DES PIÈCES



Lid - 1
Tapa - 1
Couvercle - 1



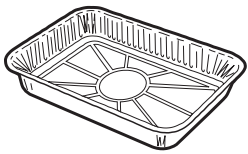
Cooking Grate - 1
Parrilla de cocción - 1
Grille de cuisson - 1



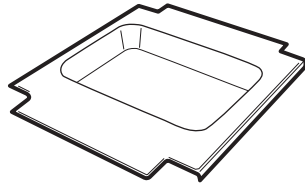
Control Knob - 1
Perilla de control - 1
Bouton de commande - 1



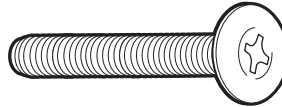
Cotter Pin - 2
Clavija hendida - 2
Goupille fendue - 2



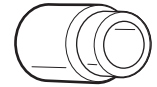
Disposable Drip Pan - 2
Bandeja de goteo desechable - 2
Egouttoir jetable - 2



Catch Pan - 1
Plato recolector - 1
Egouttoir - 1



**Stainless Steel Pan Head Phillips Screw
(1/4-20 x 1 1/2" Screw) - 2**
Tornillo de cabeza plana Phillips de acero inoxidable
(tornillo de 1/4-20 x 1 1/2") - 2
Vis à tête cylindrique large en acier inoxydable
(Vis de 1/4-20 x 1 1/2") - 2



Handle Spacer - 2
Separador del asa - 2
Ecarteur de poignée - 2



Hinge Pin - 2
Pasador de bisagra - 2
Axe - 2



Handle - 1
Asa - 1
Poignée - 1

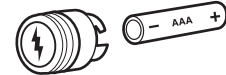
**120
220**



Thermometer - 1
Termómetro - 1
Thermomètre - 1

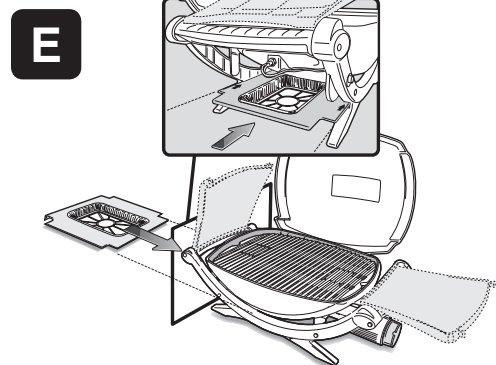
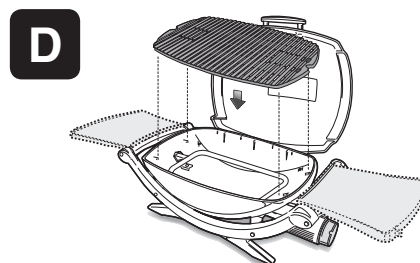
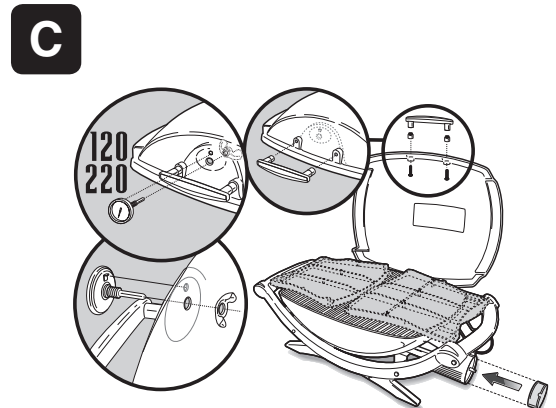
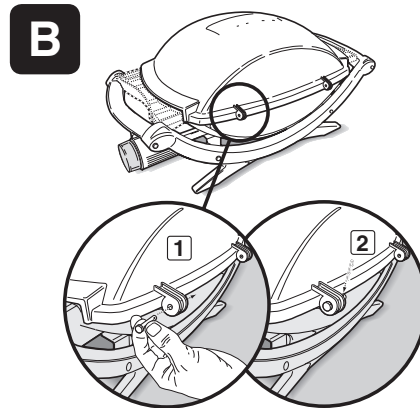
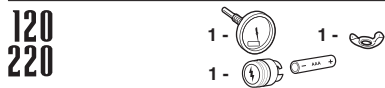
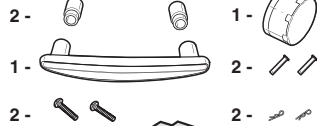
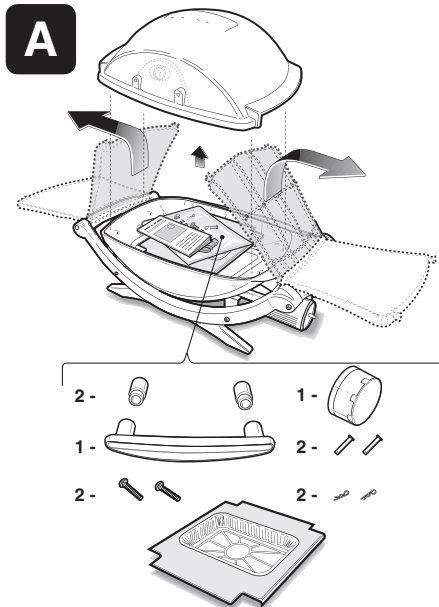


Wing Nut - 1
Tuerca de mariposa - 1
Ecroû à oreilles - 1



Electronic Ignition Button - 1
Botón de encendido electrónico - 1
Bouton d'allumage électronique - 1

ASSEMBLY • ENSAMBLAJE • ASSEMBLAGE



WARRANTY

Weber-Stephen Products LLC (Weber®) hereby warrants to the ORIGINAL PURCHASER of this Weber® gas grill that it will be free of defects in material and workmanship from the date of purchase as follows:

Aluminum Castings	5 years, 2 years paint excluding fading or discoloration
Thermoplastic/Thermoset Parts	5 years excluding fading
Stationary Cart	2 years
All Remaining Parts	2 years

Weber may require reasonable proof of your date of purchase. THEREFORE, YOU SHOULD RETAIN YOUR SALES RECEIPT OR INVOICE.

This Limited Warranty shall be limited to the repair or replacement of parts that prove defective under normal use and service and which on examination shall indicate, to Weber's satisfaction, they are defective. Before returning any parts, contact the Customer service representative in your region using the contact information sheet provided with your manual. If Weber confirms the defect and approves the claim, Weber will elect to replace such parts without charge. If you are required to return defective parts, transportation charges must be prepaid. Weber will return parts to the purchaser, freight or postage prepaid.

This Limited Warranty does not cover any failures or operating difficulties due to accident, abuse, misuse, alteration, misapplication, vandalism, improper installation or improper maintenance or service, or failure to perform normal and routine maintenance, including but not limited to damage caused by insects within the burner tubes, as set out in this owner's manual.

Deterioration or damage due to severe weather conditions such as hail, hurricanes, earthquakes or tornadoes, discoloration due to exposure to chemicals either directly or in the atmosphere, is not covered by this Limited Warranty.

There are no other express warrants except as set forth herein and any applicable implied warranties of merchantability and fitness are limited in duration to the period of coverage of this express written Limited Warranty. Some regions do not allow limitation on how long an implied warranty lasts, so this limitation may not apply to you.

Weber is not liable for any special, indirect or consequential damages. Some regions do not allow the exclusion or limitation of incidental or consequential damages, so this limitation or exclusion may not apply to you.

Weber does not authorize any person or company to assume for it any other obligation or liability in connection with the sale, installation, use, removal, return, or replacement of its equipment; and no such representations are binding on Weber®.

This Warranty applies only to products sold at retail.

In order to validate your warranty please register your grill online.

Visit www.weber.com ♦

WEBER-STEPHEN PRODUCTS LLC
Customer Service Center
1890 Roselle Road, Suite 308
Schaumburg, IL, USA 60195
www.weber.com ♦

GENERAL INSTRUCTIONS

Your Weber® gas grill is a portable outdoor cooking appliance. With the Weber® gas grill you can grill, roast and bake with results that are difficult to duplicate with indoor kitchen appliances. The closed lid produces that "outdoor" flavor in the food.

The Weber® gas grill is portable so you can easily change its location in your yard or on your patio. Portability means you can take your Weber® gas grill with, if you move.

Propane gas supply is easy to use and gives you more cooking control than charcoal fuel.

- These instructions will give you the minimum requirements for assembling your Weber® gas grill. Please read the instructions carefully before using your Weber® gas grill. Improper assembly can be dangerous.
- Not for use by children.
- If there are local codes that apply to portable gas grills, you will have to conform to them. If there are no local codes, you must conform to the latest edition of the National Fuel Gas Code: ANSI Z 223.1/NFPA54.
- The pressure regulator supplied with the Weber® gas grill must be used. This regulator is set for 11 inches of water column (pressure).
- This Weber® gas grill is designed for use with propane gas only. Do not use with natural (piped in city) gas. The valve and regulator is for Propane gas only.
- Do not use with charcoal fuel.
- This Weber® gas grill is not intended for commercial use.
- The use of alcohol, prescription or non-prescription drugs may impair the consumers ability to properly assemble or safely operate the appliance.
- This Weber® gas grill is not intended for and should never be used as a heater.
- Do not leave the Weber® gas grill unattended. Keep children and pets away from the Weber® gas grill at all times.
- Check that the area under the control panel and the catch pan are free from debris that might obstruct the flow of combustion or ventilation air. ♦

CANADIAN INSTALLATION

These instructions, while generally acceptable, do not necessarily comply with the Canadian Installation codes, particularly with piping above and below ground. In Canada the installation of this appliance must comply with local codes and/or Standard CAN/CGA-B149.1 Natural Gas and Propane Installation Code. ♦

OPERATING

- ⚠ **WARNING: Only use this grill outdoors in a well-ventilated area. Do not use in a garage, building, breezeway or any other enclosed area.**
- ⚠ **WARNING: Your Weber® gas grill shall not be used under any overhead combustible construction.**
- ⚠ **WARNING: Your Weber® gas grill is not intended to be installed in or on recreational vehicles and/or boats.**
- ⚠ **WARNING: Do not use the grill within 24 inches of combustible materials.**
- ⚠ **WARNING: The entire cookbox gets hot when in use. Do not leave unattended.**
- ⚠ **WARNING: Keep any electrical supply cord away from any heated surface.**
- ⚠ **WARNING: Keep the cooking area clear of flammable vapors and liquids such as gasoline, alcohol, etc., and combustible materials.**
- ⚠ **WARNING: Never store an extra (spare) Propane cylinder under or near the Weber® gas grill.**
- ⚠ **WARNING: When cooking, the appliance must be on a level, stable surface in an area clear of combustible material. An asphalt surface (blacktop) may not be acceptable for this purpose. ♦**

STORAGE AND/OR NONUSE

- When the Weber® gas grill is not in use, the propane cylinder must be DISCONNECTED and the propane cylinder stored outdoors in a well-ventilated space. Place dust caps on cylinder valve outlets when cylinder is not in use.
- The Weber® gas grill should be checked for gas leaks and any obstructions in the burner tubes before using. Refer to "MAINTENANCE."
- The Spider/Insect screen should also be checked for any obstructions. Refer to "MAINTENANCE." ♦

GAS INSTRUCTIONS

ATTACH THE PROPANE CYLINDER

Use disposable propane cylinders with a capacity of either 14.1 oz. or 16.4 oz. equipped with a CGA #600 connection.

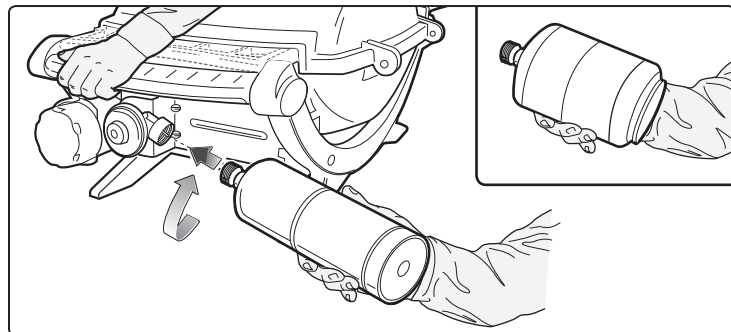
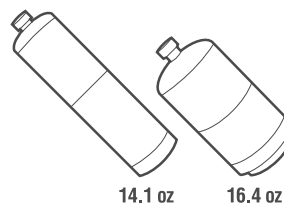
⚠ CAUTION: Use cylinders that are marked "Propane fuel" only.

Note: Your Weber® gas grill is equipped with a cylinder supply system designed for vapor withdrawal.

Make sure the Burner is in the off position.

While holding carrying handle closest to propane cylinder with one hand, push propane cylinder into regulator and turn clockwise until tight.

⚠ WARNING: Do not use a wrench to tighten the connection. Using a wrench could damage the regulator coupling and could cause a leak.



⚠ DANGER

Do not store a spare LP-gas cylinder under or near this appliance. If the instructions are not followed exactly, a fire causing death or serious injury may occur. ♦

CHECK FOR GAS LEAKS

⚠ DANGER

Do not use an open flame to check for gas leaks. Be sure there are no sparks or open flames in the area while you check for leaks. Sparks or flames will result in a fire or explosion which can cause serious bodily injury or death, and damage to property.

Note: All factory-made connections have been thoroughly checked for gas leaks. The burners have been flame tested. As a safety precaution however, you should recheck all fittings for leaks before using your Weber® gas grill. Shipping and handling may have loosened or damaged a gas fitting.

⚠ WARNING: Perform these leak checks even if your grill was dealer or store assembled.

You will need a soap and water solution and a rag or brush to apply it. To perform leak checks make sure the Burner is in the off position.

⚠ WARNING: Do not ignite burner while leak checking.

Check for leaks by wetting the connections with the soap and water solution and watching for bubbles. If bubbles form, or if a bubble grows, there is a leak.

Check:

A) Regulator-to-propane cylinder connection (1).

⚠ WARNING: If there is a leak at connection (1), remove propane cylinder. Do not operate grill. Use a different propane cylinder and recheck for leaks with soap and water solution. If a leak persists after retightening the propane cylinder, remove propane cylinder. DO NOT OPERATE THE GRILL. Contact the Customer Service Representative in your area using the contact information on our web site. Log onto www.weber.com®.

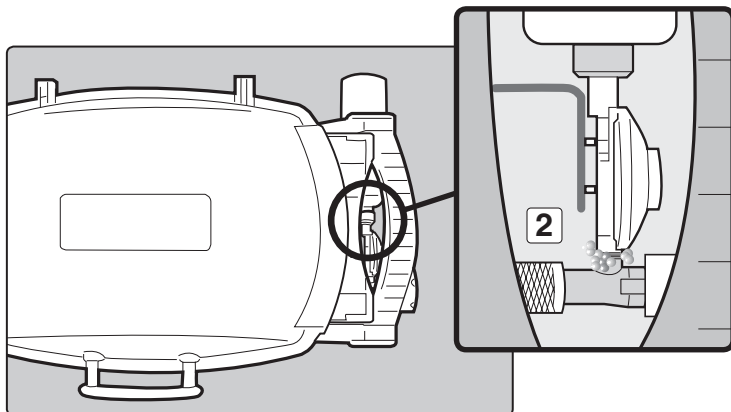
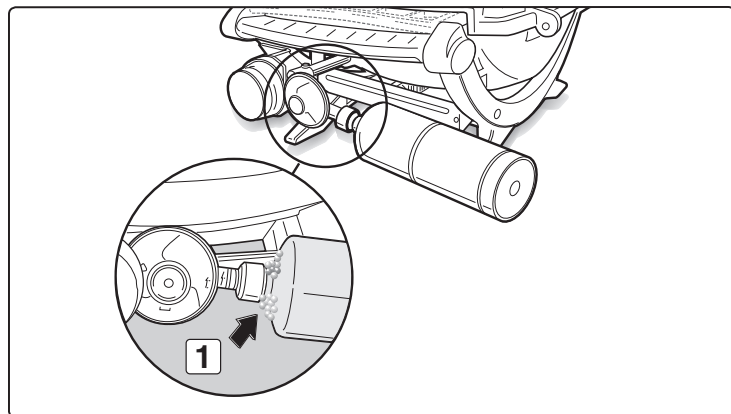
B) Valve-to-regulator connections (2).

⚠ WARNING: If there is a leak at connection (2), remove propane cylinder. DO NOT OPERATE THE GRILL. Contact the Customer Service Representative in your area using the contact information on our web site. Log onto www.weber.com®.

C) When leak checks are complete, rinse connections with water.

Note: Since some leak test solutions, including soap and water, may be slightly corrosive, all connections should be rinsed with water after checking for leaks.

⚠ WARNING: You should check for gas leaks every time you disconnect and reconnect a gas fitting. ♦



BEFORE USING THE BARBECUE

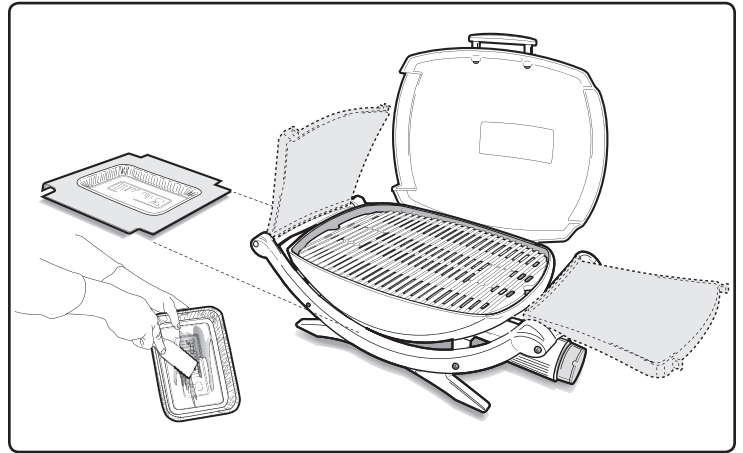
CATCH PAN AND DISPOSABLE DRIP PAN

Your grill was built with a grease collection system. Check the catch pan and disposable drip pan for grease build-up each time you use your grill.

Remove excess grease with a plastic spatula; see illustration. When necessary, wash the catch pan and drip pan with a soap and water solution, then rinse with clean water. Replace the disposable drip pan as needed.

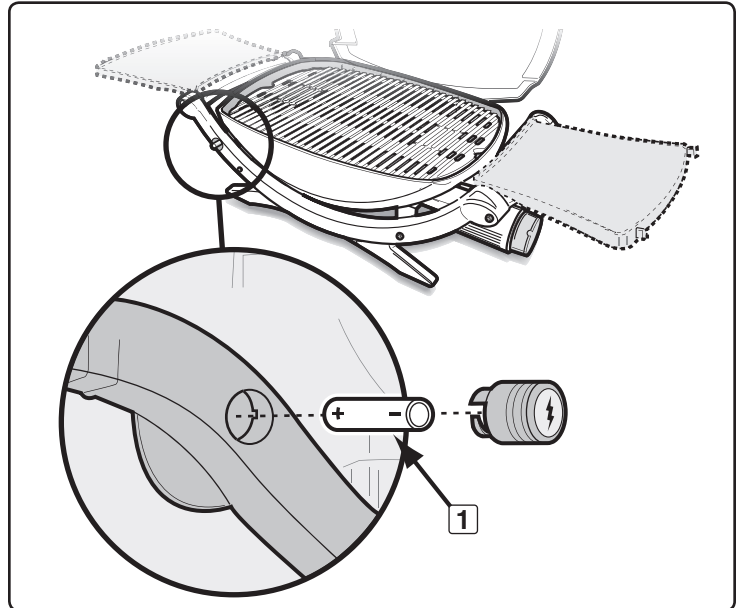
⚠ WARNING: Check the catch pan and disposable drip pan for grease build-up before each use. Remove excess grease to avoid a grease fire. A grease fire can cause serious bodily injury or damage to property.

⚠ CAUTION: Do not line the cookbox with aluminum foil. ♦



IGNITER INSPECTION FOR MODELS WITH ELECTRONIC IGNITION

Verify that your AAA battery is in good condition and that it is installed correctly (1). Some batteries have a plastic protective wrap around them. This plastic must be removed. Do not confuse this with the battery label. ♦



IGNITION INSTRUCTIONS

IGNITION

Summary lighting instructions are on the fold-out side table (Q120, 200, 220).

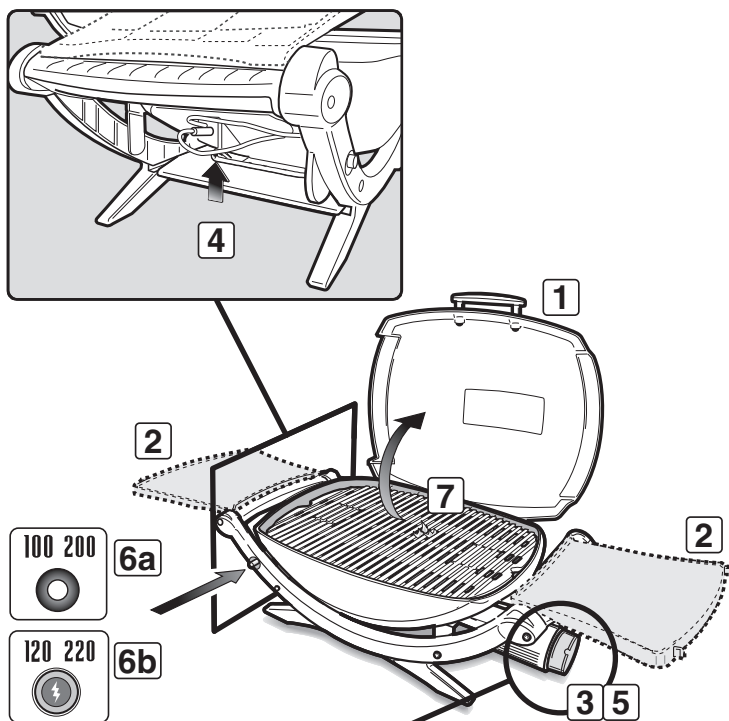
- A) Open the lid (1).
- B) Unfold the side tables (2) (Q120, 200, 220).
- C) Make sure the control knob is turned OFF (3).
(Push control knob in and turn clockwise to ensure that it is in the OFF position.)

⚠ WARNING: Do not lean over the open barbecue. Keep your face and body at least 30 cm (12 in) away from the matchlight hole when lighting the barbecue (4).

- D) Push burner control knob in and turn to START/HI (5).
- E) Push the red ignition button several times, so it clicks each time (6a) (Q100, 200).
- F) Push the electronic ignition button several times. You will hear it spark (6b) (Q120, 220).
- G) Check that the burner is lit by looking down through the cooking grate. You should see a flame (7).

⚠ WARNING: If the burner does not light, turn the burner control knob to OFF and wait 5 minutes to let the gas clear before you try again or before you try to light with a match.

⚠ CAUTION: Do not fold in side tables until barbecue is cold (Q120, 200, 220).

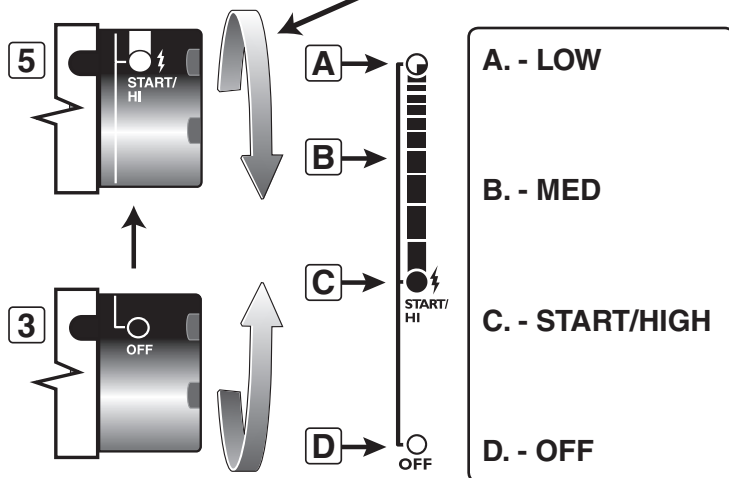


⚠ DANGER

Failure to open the lid while igniting the grill's burner, or not waiting 5 minutes to allow the gas to clear if the grill does not light, may result in an explosive flare-up which can cause serious bodily injury or death.

TO EXTINGUISH

Push in and turn burner control knob clockwise to the OFF position. ♦



IGNITION INSTRUCTIONS

MANUAL IGNITION

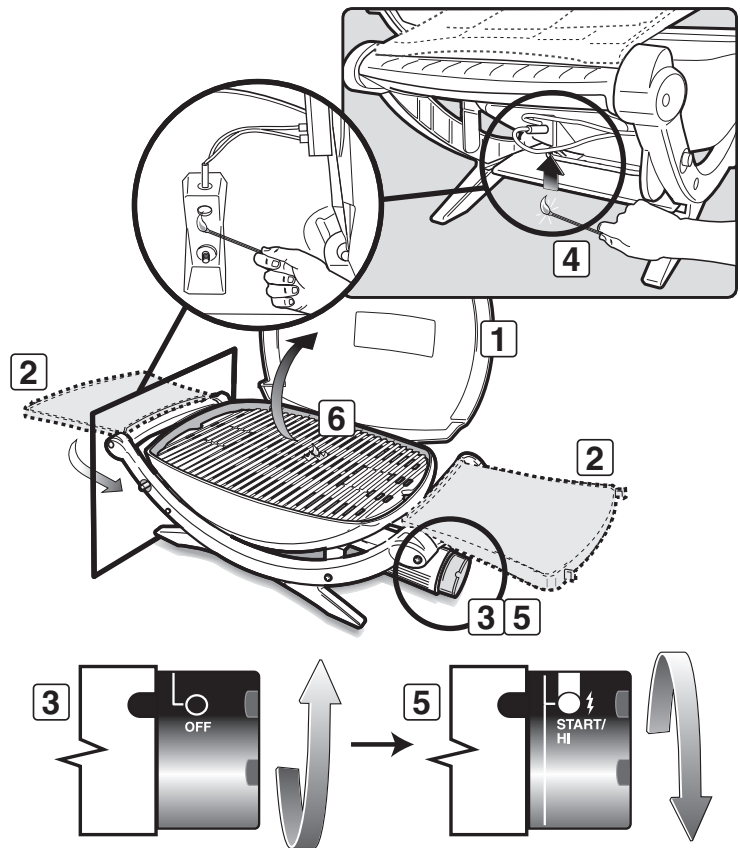
- A) Open the lid (1).
- B) Unfold the side tables (2) (Q120, 200, 220).
- C) Make sure the control knob is turned OFF (3).
- D) Strike a match and put the flame into the matchlight hole under the igniter (4).
- ⚠ **WARNING: Do not lean over the open grill. Keep your face and body at least one foot away from the matchlight hole when lighting the grill (4).**
- E) Push burner control knob in and turn to START/HI (5).
- F) Check that the burner is lit by looking down through the cooking grate. You should see a flame (6).
- ⚠ **WARNING: If the burner does not light, turn the burner control knob to OFF and wait 5 minutes to let the gas clear before you try again or before you try to light with a match.**
- ⚠ **CAUTION: do not fold in side tables until barbecue is cold (Q120, 200, 220).**

⚠ DANGER

Failure to open the lid while igniting the barbecue's burner, or not waiting 5 minutes to allow the gas to clear if the barbecue does not light, may result in an explosive flare-up, which can cause serious bodily injury or even death.

TO EXTINGUISH

Push in and turn burner control knob clockwise to the OFF position. ♦



GRILLING TIPS & HELPFUL HINTS

PREHEATING THE BARBECUE

Light the Weber® Q® according to the ignition instructions in this owners manual. Close the lid and turn the burner control knob to START/HI. Preheat the grill for 10-15 minutes (depending on conditions such as air temperature and wind). Once the grill is preheated, set the Burner Control knob to the setting specified in the recipe.

⚠ **WARNING: Do not move the Weber® Q® when operating or while the grill is hot.**

Note: Wind and weather may require adjustment of the burner control knob to obtain the correct cooking temperature.

If the burner goes out during cooking, open the lid, turn off the burner, and wait five minutes before relighting. ♦

COOKING

Refer to the recipes in the grilling guide included with this barbecue.

A light coating of oil will help brown your food evenly and keep it from sticking to the cooking grate. Always brush or spray oil onto your food, not directly onto the cooking grate.

We suggest that you barbecue with the lid down. Why? Because it reduces the chance of flare-ups, and cooks your food faster and more evenly.

When using a marinade, sauce or glaze with a high sugar content or other ingredients that burn easily, only brush it onto the food during the last 10 to 15 minutes of barbecuing.

Don't forget to regularly brush off your cooking grate and clean out the drip pan under the barbecue.

For more barbecuing tips and recipes, visit www.weber.com®. ♦

TROUBLESHOOTING

PROBLEM	CHECK	SOLUTION
Burner burns with a yellow or orange flame, in conjunction with the smell of gas.	Inspect Weber® Spider/Insect screen for possible obstructions. (Blockage of holes).	Clean Weber® Spider/Insect screen. Refer to "ANNUAL MAINTENANCE".
Burner does not light, or flame is low in HI position.	Is propane cylinder fuel low or empty?	Replace propane cylinder. Refer to "GAS INSTRUCTIONS".
Burner does not light when you push the igniter button.	Be sure that there is gas flow to the burners by attempting to match light your burners. Refer to "MANUAL IGNITION".	If match lighting is successful, the problem lies in the ignition system. Refer to "MAINTENANCE".
	Is there is a fresh battery installed?	Verify that the battery is in good condition and installed correctly. Refer to "BEFORE USING THE BARBECUE".
	Are the wires connected properly to the ignition box?	Be sure that wires are correctly inserted into terminals on ignition box. Refer to "MAINTENANCE".
	Is there plastic wrapping around the new battery?	Remove plastic wrapping. Do not confuse this with the battery label.
	Is burner tube positioned too far away from the igniter electrode?	Check that the burner tube is positioned correctly to the igniter electrode. Refer to "MAINTENANCE".
Experiencing flare-ups: ⚠ CAUTION: Do not line the cookbox with aluminum foil.	Are you preheating barbecue in the prescribed manner?	All burners on HI for 10 to 15 minutes for preheating.
	Is the cooking grate heavily coated with burned-on grease?	Clean thoroughly. Refer to "CLEANING".
	Is the cookbox dirty and not allowing grease to flow into catch pan?	Clean cookbox. Refer to "CLEANING".
Burner flame pattern is erratic. Flame is low when burner is on HI. Flames do not run the whole length of the burner tube.	Are burners clean?	Clean burner. Refer to "MAINTENANCE".
Inside of lid appears to be "peeling." (Resembles paint peeling.)	The lid is cast aluminum, not paint. It cannot "peel". What you are seeing is baked on grease that has turned to carbon and is flaking off. THIS IS NOT A DEFECT.	Clean thoroughly. Refer to "CLEANING".
If problems cannot be corrected using these methods, please contact the Customer Service Representative in your area using the contact information on our web site. Log onto www.weber.com®.		

MAINTENANCE

CLEANING

⚠ WARNING: Turn your Weber® gas barbecue OFF and wait for it to cool before cleaning.

Outside surfaces - Use a warm soapy water solution to clean, then rinse with water.

⚠ CAUTION: Do not use oven cleaner, abrasive cleaning products (kitchen cleaning products), cleaners that contain citrus products, or abrasive cleaning pads on barbecue.

Cooking grate - Clean with a suitable stainless steel bristle brush. As needed, remove from barbecue and wash with warm soapy water, then rinse with water.

For availability of replacement cooking grate contact the Customer Service Representative in your region using the contact information on our web site. Log onto www.weber.com.

Catch pan - Disposable foil trays are available, or you can line the catch pan with aluminum foil. To clean the catch pan, wash with warm soapy water, then rinse.

Inside cookbox - Brush any debris off burner tubes. **DO NOT ENLARGE BURNER PORTS (OPENINGS)**. Wash the inside of cookbox with warm soapy water and rinse with water.

Inside lid - While lid is warm, wipe inside with paper towel to prevent grease build-up. Flaking built-up grease resembles paint flakes.

Side tables (Q120, 200, 220) - Wash with a soft cloth and a soap-and-water solution.

Do not use cleaners that contain acid, mineral spirits or xylene. Rinse well after cleaning.

Side tables (Q120, 200, 220) are not to be used as cutting boards. ♦

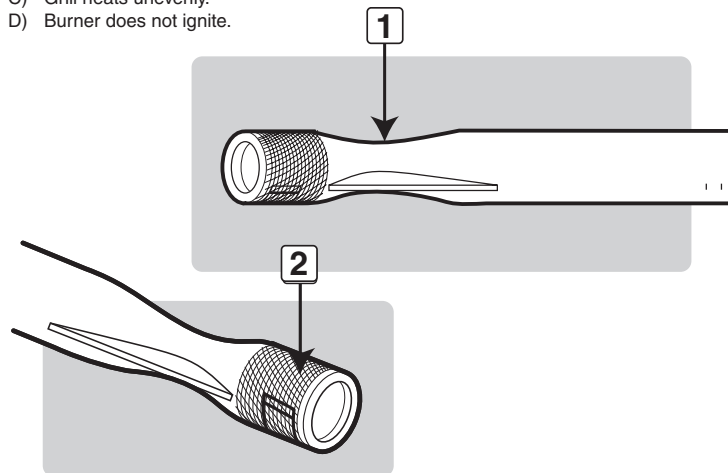
WEBER® SPIDER/INSECT SCREENS

Your Weber® gas grill, as well as any outdoor gas appliance, is a target for spiders and other insects. They can nest in the venturi section (1) of the burner tube. This blocks the normal gas flow, and can cause the gas to flow back out of the air shutter. This could result in a fire in and around the air shutter, causing serious damage to your grill.

The burner tube air shutter is fitted with a stainless steel screen (2) to prevent spiders and other insects access to the burner tube through the air shutter openings.

We recommend that you inspect the Spider/Insect screen at least once a year. Refer to "ANNUAL MAINTENANCE." Also inspect and clean the the Spider/Insect screen if any of the following symptoms should ever occur:

- A) The smell of gas in conjunction with the burner flames appearing yellow and lazy.
- B) Grill does not reach temperature.
- C) Grill heats unevenly.
- D) Burner does not ignite.



⚠ DANGER

Failure to correct the above mentioned symptoms may result in a fire, which can cause serious bodily injury or death, and cause damage to property. ♦

BURNER TUBE CLEANING OR REPLACEMENT

You will need: a flathead screwdriver.

- A) Your Weber® Q® barbecue must be OFF and cool.
- B) Turn gas OFF at source.
- C) Open the lid.
- D) Remove cooking grate.

Burner Tube Removal

- E) Remove the ¼-20 x ½ inch screw that holds the burner tube to the cookbox (1).
- F) Carefully slide the burner tube out from the cookbox.

Burner Tube Cleaning

- G) Look inside the burner with a flashlight (2).
- H) Clean the inside of the burner with a wire (a straightened-out coat hanger will work) (3).
- I) Check and clean the air shutter opening at the ends of the burner. Check and clean the valve orifice at the base of the valve. Use a steel bristle brush to clean outside of burner. This is to make sure all the burner ports are fully open.

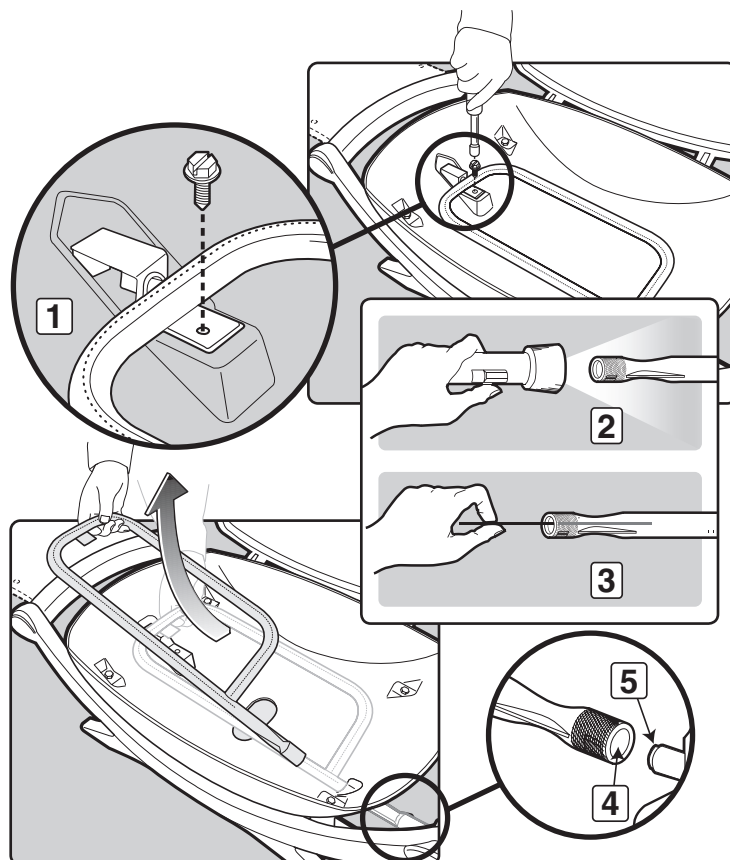
⚠ CAUTION: Do not enlarge the burner ports when cleaning.

- J) Lightly tap the burner to get debris and dirt out of the burner tube. Once the Spider/Insect screen and burner is clean replace the burner.

Burner Tube Reinstallation

⚠ CAUTION: The burner opening (4) must be positioned properly over the valve orifices (5).

- K) To reinstall the burner, reverse E) through F). ♦



MAINTENANCE

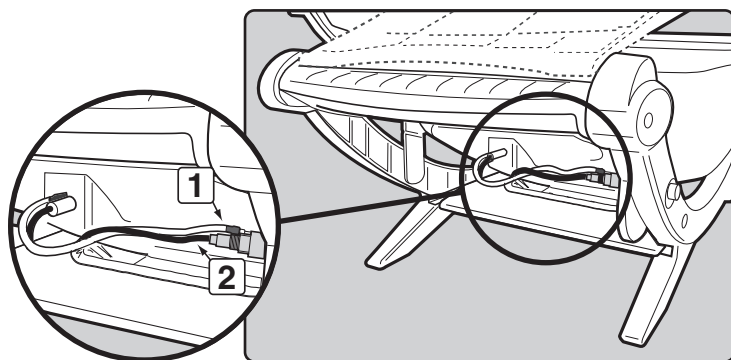
PUSH-BUTTON IGNITION SYSTEM OPERATIONS

If the Push-Button Ignition System (a feature on some of our barbecues) fails to ignite the burner, be sure there is gas flow by attempting to match light your burners. Refer to "MANUAL IGNITION". If match lighting is successful, the problem lies in the ignition system.

⚠ WARNING: All gas controls and supply valves should be in the OFF position.

- Check that both the white (1) and black (2) ignition wires are attached properly.
- Verify that the ignition button pushes in, clicks and returns to the out position.

If the ignition system still fails to ignite, contact the Customer Service Representative in your area using the contact information on our web site. Log onto www.weber.com. ♦



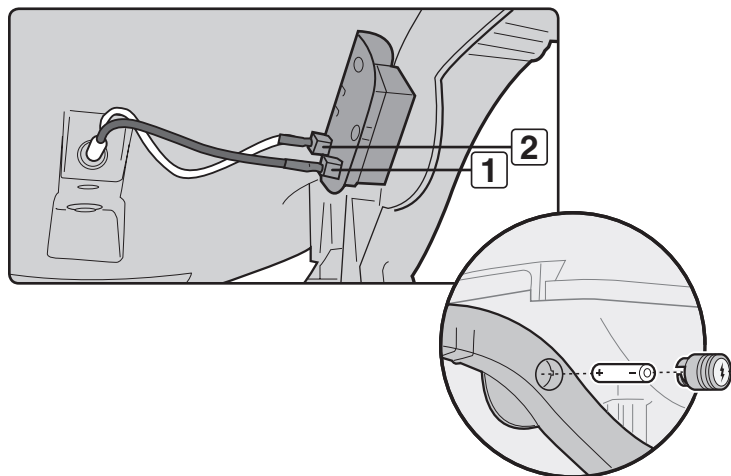
ELECTRONIC IGNITION SYSTEM OPERATIONS

If the Electronic Ignition System (a feature on some of our barbecues) fails to ignite the burner, be sure there is gas flow by attempting to match light your burners. Refer to "MANUAL IGNITION". If match lighting is successful, the problem lies in the Electronic Ignition System.

⚠ WARNING: All gas controls and supply valves should be in the OFF position.

- Check that both of the ignition wires are attached properly to the igniter electrodes on the ignition module. Black wire to electrode (1), white wire to electrode (2).
- Verify that the AAA battery (alkaline only) is in good condition and installed correctly. Some batteries have a plastic protective wrap around them. This plastic must be removed. Do not confuse this plastic with the battery label.
- Make sure the Electronic Ignition button is working by listening and looking for sparks at burner.

If the Electronic Ignition System still fails to ignite, contact the Customer Service Representative in your area using the contact information on our web site. Log onto www.weber.com. ♦



ANNUAL MAINTENANCE

Inspection And Cleaning Of The Spider/Insect Screen

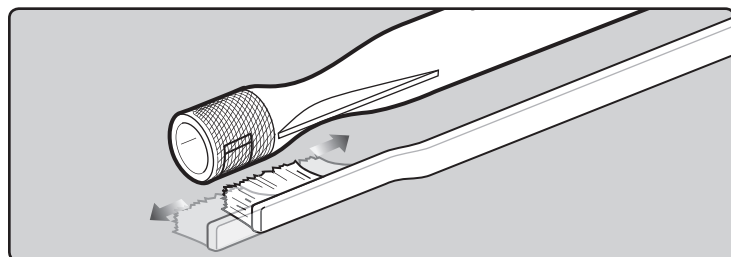
If there is dust or dirt on the Spider/Insect screen, remove the burner to clean the screen. Refer to "BURNER TUBE CLEANING OR REPLACEMENT".

Brush the Spider/Insect screen, lightly, with a soft bristle brush (i.e. an old toothbrush).

⚠ CAUTION: Do not clean the Spider/Insect screen with hard or sharp tools. Do not dislodge the Spider/Insect screen or enlarge the screen openings.

Lightly tap the burner to get debris and dirt out of the burner tube. Once the Spider/Insect screen and burner is clean, replace the burner.

If the Spider/Insect screen becomes damaged or cannot be cleaned, contact the Customer Service Representative in your area using the contact information on our web site. Log onto www.weber.com. ♦

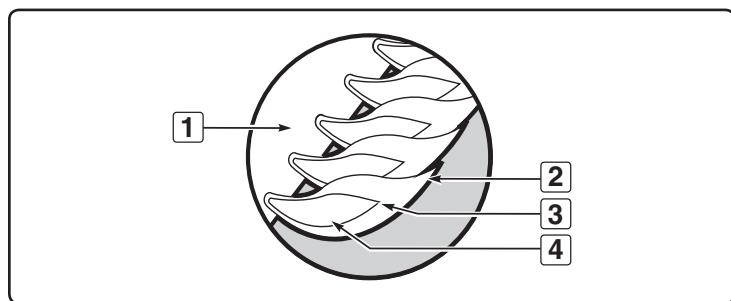


Main Burner Flame Pattern

The Weber® gas barbecue burner has been factory set for the correct air and gas mixture. The correct flame pattern is shown.

- A) Burner tube (1)
- B) Tips occasionally flicker yellow (2)
- C) Light blue (3)
- D) Dark blue (4)

If the flames do not appear to be uniform throughout the burner tube, follow the burner cleaning procedures. ♦



Guía del Propietario de la Barbacoa de Gas Propano Licuado

#54329

Registre su barbacoa en línea en www.weber.com

⚠ PELIGRO

Si usted huele gas:

1. Cierre el suministro de gas al artefacto.
2. Apague cualquier llama encendida.
3. Abra la tapa.
4. Si el olor continuase, aléjese del artefacto e inmediatamente llame al cuerpo de bomberos.

El no acatar estas instrucciones pudiera resultar en un fuego o explosión, que pudieran causar daños materiales, lesiones personales o la muerte.

ESTE ARTEFACTO A GAS ESTÁ DISEÑADO PARA USARSE SOLAMENTE AL AIRE LIBRE.

⚠ PELIGRO

1. Nunca permita que este artefacto funcione desatendido.
2. Nunca ponga a funcionar este artefacto a menos de 10 pies (3 m) de cualquier estructura, material combustible u otro cilindro de gas.
3. Nunca ponga a funcionar este artefacto a menos de 25 pies (7.5 m) de cualquier líquido inflamable.
4. Si llegase a presentarse un incendio, aléjese del artefacto e inmediatamente llame al cuerpo de bomberos. No intente de extinguir un fuego de aceite o grasa con agua.

El no acatar estas instrucciones podría resultar en un fuego o explosión, que podrían causar daños materiales, lesiones personales o la muerte.

- ⚠ Este manual de instrucciones contiene información importante necesaria para el ensamble correcto y seguro de este artefacto.
- ⚠ Lea y acate todas las advertencias e instrucciones antes de ensamblar y utilizar el artefacto.
- ⚠ Al utilizar este artefacto, acate todas las advertencias y siga las instrucciones.
- ⚠ Guarde este manual para futuras consultas.



PELIGROS Y ADVERTENCIAS

- ⚠ Antes de poner en funcionamiento la barbacoa, siga cuidadosamente todos los procedimientos en este manual para verificar que no existan fugas. Haga esto aun y cuando la barbacoa haya sido ensamblada por el distribuidor.
- ⚠ No almacene un cilindro de propano licuado desconectado o de repuesto debajo o cerca de esta barbacoa.
- ⚠ El ensamblaje incorrecto puede ser peligroso. Por favor siga cuidadosamente las instrucciones de ensamblaje en este manual.
- ⚠ Tras haber estado guardada o sin uso por algún tiempo, deberá verificarse que la barbacoa gas Weber® no tenga fugas de gas o obstrucciones en el quemador antes de utilizarse. Vea en este manual las instrucciones para los procedimientos correctos.
- ⚠ No opere la barbacoa de gas Weber® si hay presente una fuga de gas.
- ⚠ No utilice una llama abierta para detectar la existencia de fugas de gas.
- ⚠ Nunca deben haber materiales combustibles a una distancia menor de 24 pulgadas (63.5 cm) de la parte posterior o lateral de la barbacoa de gas Weber®.
- ⚠ La barbacoa de gas Weber® nunca deberá ser utilizada por niños. Partes accesibles de la barbacoa pudieran estar muy calientes. Mantenga alejados a los niños pequeños mientras se esté usando.
- ⚠ Usted debe proceder con razonable cuidado al usar la barbacoa de gas Weber®. Estará caliente mientras se cocina en ella o se limpia, y nunca deberá dejarse desatendida o moverse mientras esté funcionando.
- ⚠ Si llegasen a apagarse los quemadores, cierre la válvula de gas. Abra la tapa y espere cinco minutos antes de intentar encender la barbacoa de nuevo, siguiendo las instrucciones de encendido.
- ⚠ No utilice carbón o piedra pómez en la barbacoa de gas Weber®.
- ⚠ No se incline nunca sobre la barbacoa abierta ni coloque las manos o dedos en el borde delantero de la caja de cocción.
- ⚠ Si la grasa llegase a encenderse, apague el quemador y mantenga la tapa cerrada hasta que se haya apagado el fuego.
- ⚠ Al limpiar las válvulas o los quemadores, no ensanche los orificios de las válvulas o las aberturas de los quemadores.
- ⚠ La barbacoa de gas Weber® deberá limpiarse a fondo regularmente.
- ⚠ Use el regulador que se suministra con la barbacoa de gas Weber®.
- ⚠ El gas propano no es gas natural. El uso de gas natural en una unidad de propano licuado o viceversa, propano licuado en una de gas natural, es peligroso y anulará la garantía.
- ⚠ No intente desconectar ninguna conexión de gas mientras esté funcionando la barbacoa.
- ⚠ Mientras opere la barbacoa, utilice guantes resistentes al calor.
- ⚠ Mantenga todo cable eléctrico alejado de cualquier superficie caliente.
- ⚠ Los subproductos de la combustión producidos al usar este producto contienen sustancias químicas que son conocidas por el Estado de California como causantes de cáncer, defectos de nacimiento u otros daños reproductivos.
- ⚠ No use esta barbacoa a menos que todas sus partes estén ensambladas en su sitio correcto. La unidad debe estar correctamente ensamblada según se indica en las instrucciones indicadas en la sección de "Instrucciones de ensamblaje" de la Guía del Propietario.
- ⚠ No use la barbacoa Weber® Q® en una maleta de vehículo, camioneta, mini-van, vehículo utilitario deportivo (SUV) o vehículo recreativo (RV).
- ⚠ No trate de desconectar el regulador de gas ni cualquier otra conexión de gas mientras esté funcionando la barbacoa.
- ⚠ No incorpore este modelo de barbacoa como parte integral o deslizante de una construcción. El ignorar esta Advertencia podría ocasionar un fuego o una explosión que podría causar daños materiales y lesiones corporales graves o la muerte.
- ⚠ Advertencia respecto a la Propuesta 95: El manipular el material de latón en este producto lo expone al plomo, una sustancia química conocida por el estado de California como causante de cáncer, defectos de nacimiento u otros daños reproductivos. (Lávese las manos después de manipular este producto.)
- ⚠ Si usted viese, oliese o escuchase el silbido de un escape de gas del cilindro de propano licuado:
 1. Apártese del cilindro de propano líquido.
 2. No intente corregir el problema usted mismo.
 3. Llame al cuerpo de bomberos local.

TABLA DE CONTENIDO

DIAGRAMA DE DESPIECE Q100	4	ANTES DE UTILIZAR LA BARBACOA	22
DIAGRAMA DE DESPIECE Q120	5	PLATO RECOLECTOR Y BANDEJA DE GOTEO DESECHABLE	22
DIAGRAMA DE DESPIECE Q200	6	INSPECCIÓN DEL ENCENDEDOR EN LOS MODELOS CON ENCENDIDO ELECTRÓNICO	22
DIAGRAMA DE DESPIECE Q220	7	INSTRUCCIONES DE ENCENDIDO	23
LISTA DE PARTES	8	ENCENDIDO	23
ENSAMBLAJE	8	PARA APAGAR	23
PELIGROS Y ADVERTENCIAS	18	ENCENDIDO MANUAL	24
TABLA DE CONTENIDO	19	PARA APAGAR	24
GARANTÍA	20	CONSEJOS PRÁCTICOS PARA ASAR	24
INSTRUCCIONES GENERALES	20	PRECALENTAMIENTO DE LA BARBACOA	24
INSTALACIÓN CANADIENSE	20	COCCIÓN	24
OPERACIÓN	20	RESOLUCIÓN DE PROBLEMAS	25
ALMACENAJE Y/O FALTA DE USO	20	MANTENIMIENTO	26
INSTRUCCIONES SOBRE EL GAS	21	LIMPIEZA	26
CONECTE EL CILINDRO DE PROPANO	21	LIMPIEZA O REEMPLAZO DEL TUBO DEL QUEMADOR	26
REVISIÓN DE DETECCIÓN DE FUGAS DE GAS	21	WEBER® MALLAS CONTRA ARAÑAS E INSECTOS	26
		OPERACIONES DEL SISTEMA DE ENCENDIDO CON BOTÓN DE OPRIMIR	27
		OPERACIONES CON EL SISTEMA ELECTRÓNICO DE ENCENDIDO	27
		MANTENIMIENTO ANUAL	27

GARANTÍA

Weber-Stephen Products LLC (Weber®) mediante la presente garantiza al COMPRADOR ORIGINAL de esta barbacoa de gas Weber® que la misma estará libre de defectos tanto en lo que respecta a los materiales como a su fabricación desde su fecha de compra y según lo siguiente:

Piezas coladas de aluminio	5 años, pintura 2 años excepto por desvanecimiento o decoloración
Piezas termoplásticas/termocuradas,	5 años excepto por el desvanecimiento
Carro estacionario	2 años
Todas las demás piezas	2 años

Weber podría requerir prueba razonable de la fecha de compra. POR LO TANTO, DEBERÁ GUARDAR SU RECIBO O FACTURA DE VENTA.

Esta garantía limitada está limitada a la reparación o reemplazo de piezas que resultasen defectuosas bajo uso y servicio normal y las cuales al examinarse indiquen, a plena satisfacción de Weber, de que efectivamente son defectuosas. Antes de devolver cualquier pieza, contacte al Representante de Atención al Cliente en su región utilizando la información de contacto provista en este manual. Si Weber confirma el defecto y aprueba el reclamo, ésta elegirá reparar o reemplazar tal pieza sin cargo alguno. Si tiene que retornarnos las piezas defectuosas, los gastos de transporte deben ser prepagados. Weber retornará las piezas al comprador con transporte o franqueo prepagado.

Esta Garantía Limitada no cubre ninguna falla o problema de operación a causa de accidentes, abuso, mal uso, alteración, uso en aplicaciones indebidas, vandalismo, instalación inapropiada o mantenimiento o servicio inapropiados, o por no llevar a cabo el mantenimiento normal y rutinario, entre los que se incluyen, pero sin limitación, los daños causados por insectos dentro de los tubos quemadores, según se detalla en este manual del propietario.

Esta Garantía Limitada no cubre el deterioro o daños a causa de condiciones de tiempo inclementes tales como granizo, huracanes, terremotos o tornados ni tampoco la decoloración por exposición a sustancias químicas bien sea por contacto directo o por las mismas contenidas en la atmósfera.

No existe ninguna otra garantía expresa que no sean las las acá indicadas y cualesquier garantías implícitas de comerciabilidad y aptitud de uso están limitadas en duración al tiempo de cobertura de esta expresa Garantía Limitada por escrito. Algunas regiones no permiten limitación alguna en el tiempo que una garantía implícita pueda durar, por lo que esta limitación pudiera no aplicarle a usted.

Weber no se hace responsable de cualesquier daños especiales, indirectos o emergentes. Algunas regiones no permiten la exclusión o limitación de daños incidentales o emergentes, por lo que esta limitación o exclusión pudiera no aplicarle a usted.

Weber no autoriza a persona o empresa alguna a asumir en su nombre ninguna obligación o responsabilidad en relación con la venta, instalación, uso, retiro, devolución o reemplazo de sus equipos, y ninguna tal representación será vinculante para Weber®.

Esta Garantía aplica solo a aquellos productos vendidos al por menor.

Para poder validar su garantía se le agradece registre su barbacoa en línea en www.weber.com.

WEBER-STEPHEN PRODUCTS LLC
Customer Service Center
1890 Roselle Road, Suite 308
Schaumburg, IL, USA 60195
www.weber.com

Para compras hechas en México
WEBER-STEPHEN PRODUCTS S.A. de C.V.
Marcella No. 338,
Colonia Americana
44160 México, C.P.
México

INSTRUCCIONES GENERALES

La barbacoa de gas Weber® es un artefacto portátil para cocinar al aire libre. Con la barbacoa de gas Weber® puede asar a la barbacoa, asar al horno y hornear con unos resultados que son difíciles de duplicar con los artefactos de cocina de la casa. La tapa cerrada produce ese sabor a "aire libre" en la comida.

La barbacoa de gas Weber® es portátil por lo que puede reubicarla fácilmente de sitio en su jardín o patio. La portabilidad significa que, si usted se muda, se puede llevar la barbacoa de gas Weber® consigo.

El suministro de gas propano es fácil de usar y le da más control al cocinar que el combustible de carbón.

- Estas instrucciones le indicarán los requisitos mínimos para ensamblar la barbacoa de gas Weber®. Lea cuidadosamente las instrucciones antes de utilizar la barbacoa de gas Weber®. Un ensamblaje incorrecto puede ser peligroso.
- No debe ser usada por niños.
- Si existiesen códigos locales que aplicasen para barbacoas de gas portátiles, deberá acatarlos. Si no existiesen códigos locales, deberá cumplir con la más reciente edición del Código Nacional de Gas Combustible: ANSI Z 223.1/NFPA54.
- Debe usarse el regulador de presión suministrado con la barbacoa de gas Weber®. Este regulador está ajustado para una presión de 11 pulgadas de columna de agua.
- Esta barbacoa de gas Weber® está diseñada para ser usada exclusivamente con gas propano. No la use con gas natural (suministrado a través de tuberías en las ciudades). La válvula y el regulador son para gas propano solamente.
- No la use con carbón.
- Esta barbacoa de gas Weber® no es apta para uso comercial.
- El uso de alcohol o de fármacos, recetados o no, puede afectar la capacidad del comprador para ensamblar correctamente este aparato u operarlo de manera segura.
- Esta barbacoa de gas Weber® no está diseñada para usarse ni jamás deberá usarse como un calentador.
- En ningún momento deje sola la barbacoa de gas Weber®. Mantenga a niños y mascotas alejados de la barbacoa de gas Weber® en todo momento.
- Asegúrese de que el área debajo del panel de control y el plato recolector no tenga desechos que pudiesen obstruir el flujo de aire de combustión o de ventilación.

Para compras hechas en México

- Si hubiese códigos locales que se aplicasen a los asadores de gas portátiles, usted deberá cumplir con la más reciente edición de NOM. ♦

INSTALACIÓN CANADIENSE

Estas instrucciones, aunque de manera general son aceptables, no necesariamente cumplen con los códigos de instalación canadienses, en particular en lo que respecta a tuberías bajo y sobre tierra.

En Canadá la instalación de este artefacto debe cumplir con los códigos locales y/o la Norma CSA-B149.1 Código de Instalación para Gas Natural y Propano. ♦

OPERACIÓN

- ⚠ **ADVERTENCIA: Utilice esta barbacoa solamente en un área bien ventilada al aire libre. No la utilice en un garaje, edificio, pasadizo techado o en cualquier otra área cerrada.**
- ⚠ **ADVERTENCIA: La barbacoa de gas Weber® no deberá usarse debajo de ningún tipo de techo combustible.**
- ⚠ **ADVERTENCIA: La barbacoa de gas Weber® no ha sido diseñada para instalarse en o sobre vehículos o botes recreativos.**
- ⚠ **ADVERTENCIA: No utilice la barbacoa a menos de 24 pulgadas (610 mm) de distancia de materiales combustibles.**
- ⚠ **ADVERTENCIA: La caja de cocción entera se calienta al usarse. No la deje desatendida.**
- ⚠ **ADVERTENCIA: Mantenga todo cable eléctrico alejado de cualquier superficie caliente.**
- ⚠ **ADVERTENCIA: Mantenga el área de cocinar libre de vapores y líquidos inflamables tales como gasolina, alcohol, etc. y de materiales combustibles.**
- ⚠ **ADVERTENCIA: Nunca almacene cilindros de propano extra (de repuesto) debajo o cerca de la barbacoa de gas Weber®.**
- ⚠ **ADVERTENCIA: Cuando se esté cocinando, el aparato deberá estar sobre una superficie nivelada y estable en un área libre de materiales combustibles. Una superficie de asfalto puede que no sea aceptable para este propósito. ♦**

ALMACENAJE Y/O FALTA DE USO

- Cuando la barbacoa de gas Weber® no se esté usando, el cilindro de propano debe DESCONECTARSE y dicho cilindro debe almacenarse al aire libre en un espacio bien ventilado. Coloque una tapa antipolvo a la salida de la válvula del cilindro cuando no este no se encuentre en uso.
- Antes de usar, se deberá verificar que la barbacoa de gas Weber® no tenga fugas de gas ni obstrucciones en los tubos de los quemadores. Consulte "MANTENIMIENTO"
- También deberá revisarse que la malla contra arañas e insectos no esté obstruida. Consulte "MANTENIMIENTO" ♦

INSTRUCCIONES SOBRE EL GAS

CONECTE EL CILINDRO DE PROPANO

Use cilindros desechables de propano con una capacidad de 14.1 onzas o 16.4 onzas equipados con una conexión CGA #600.

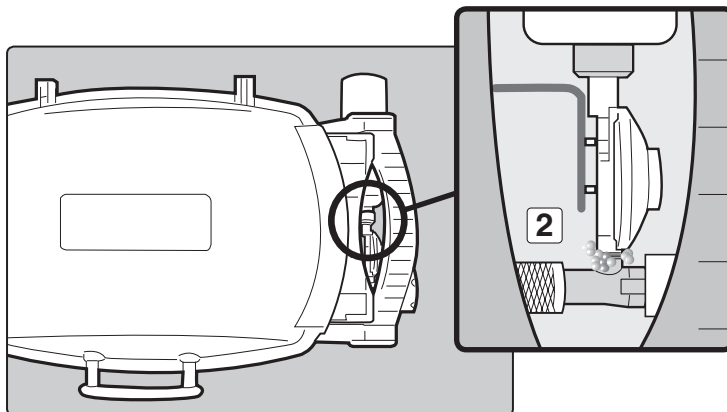
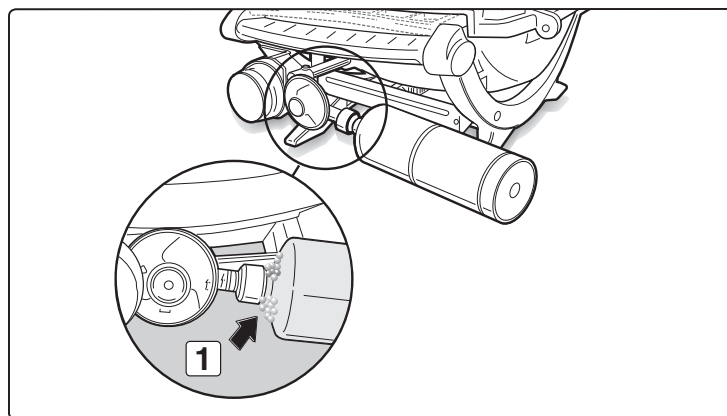
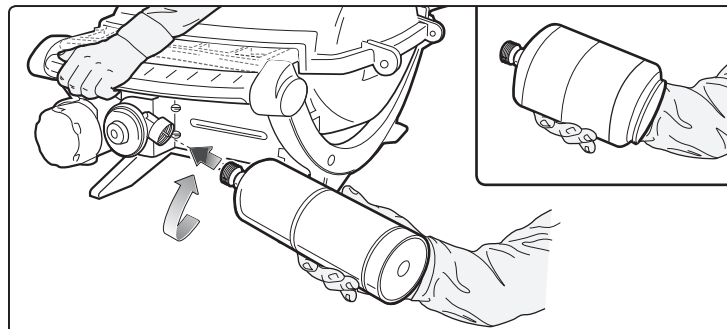
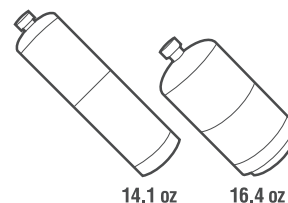
⚠ PRECAUCIÓN : Use solamente cilindros que estén marcados con las siglas "Propane fuel" (combustible propano).

Nota: La parrilla de gas Weber® está equipada con un sistema de suministro desde cilindros diseñado para el retiro del vapor.

Asegúrese de que el quemador esté en la posición OFF (apagado).

Mientras sostiene con una mano el asa de portar más cercana al cilindro de propano, empuje el cilindro de propano dentro del regulador y gírelo en dirección de las agujas del reloj hasta quedar apretado.

⚠ ADVERTENCIA: No use una llave para apretar la conexión. Si usa una llave, podría dañar el acoplamiento del regulador y causar una fuga.



⚠ PELIGRO

No almacene un cilindro de propano licuado de repuesto debajo o cerca de este aparato. Si no se siguen las instrucciones de manera precisa, puede ocurrir un fuego que puede causar la muerte o lesiones graves. ♦

REVISIÓN DE DETECCIÓN DE FUGAS DE GAS

⚠ PELIGRO

No utilice una llama abierta para comprobar si existen fugas de gas. Asegúrese de que no haya chispas o llamas abiertas en el área mientras comprueba si existen fugas. Chispas o llamas causarían un fuego o explosión, las cuales pueden causar serias lesiones corporales o la muerte, y daños materiales.

Nota: Todas las conexiones hechas en la fábrica han sido revisadas a fondo para asegurarse de que no existan fugas. Los quemadores han sido probados con las llamas encendidas. Como medida de precaución, deberá volver a revisar todas las conexiones para cerciorarse de que no tengan fugas antes de utilizar la barbacoa de gas Weber®. Durante el manejo y despacho pueden haberse aflojado o dañado alguna conexión de gas.

⚠ ADVERTENCIA: Lleve a cabo estos chequeos de fugas incluso si la barbacoa ha sido ensamblada por el distribuidor o en la tienda.

Necesitará una solución de agua y jabón y un trapo o una brocha para aplicarla. Al realizar las inspecciones para detectar fugas, asegúrese de que el quemador esté en la posición OFF (apagado).

⚠ ADVERTENCIA: No encienda los quemadores mientras esté verificando la existencia de fugas.

Compruebe la existencia de fugas mojando las conexiones con la solución de agua y jabón y viendo si se generan burbujas. Si se forman burbujas, o si una burbuja crece, es que hay una fuga.

Verificar:

A) Conexión del regulador al cilindro de propano (1).

⚠ ADVERTENCIA: Si hay una fuga en la conexión (1), retire el cilindro de propano. No opere la barbacoa. Utilice un cilindro de propano diferente y vuelva a verificar que no haya fugas usando una solución de agua y jabón. Si una fuga persiste aún después de volver a apretar la conexión al cilindro de propano, retire el cilindro de propano. **NO OPERE LA BARBACOA.** Contacte al Representante de Servicios al Cliente en su área utilizando la información de contacto en nuestro sitio web. Conéctese a www.weber.com®.

B) Conexiones de la válvula al regulador (2).

⚠ ADVERTENCIA: Si hay una fuga en la conexión (2), retire el cilindro de propano. **NO OPERE LA BARBACOA.** Contacte al Representante de Servicios al Cliente en su área utilizando la información de contacto en nuestro sitio web. Conéctese a www.weber.com®.

C) Al completar las pruebas de detección de gas, enjuague las conexiones con agua.

Nota: Dado que algunas soluciones para la detección de fugas, incluyendo el agua y jabón, pueden ser ligeramente corrosivas, todas las conexiones deberán enjuagarse con agua después de realizar las pruebas de detección de fugas.

⚠ ADVERTENCIA: Cada vez que conecte o desconecte una conexión de gas, deberá verificar que no hayan fugas de gas. ♦

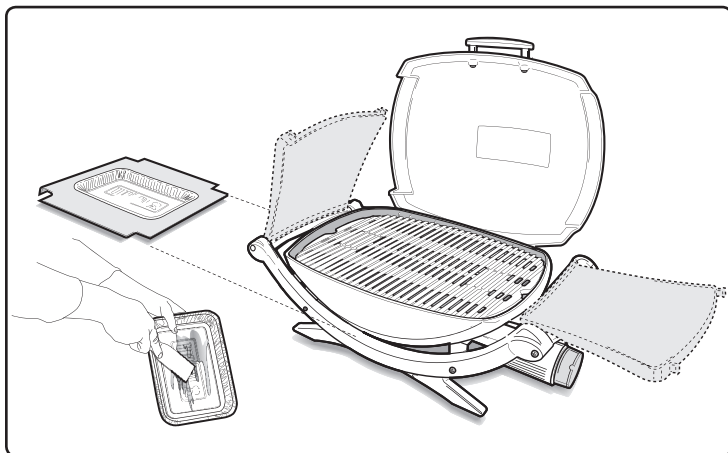
ANTES DE UTILIZAR LA BARBACOA

PLATO RECOLECTOR Y BANDEJA DE GOTEADO DESECHABLE

La barbacoa está construida con un sistema de captación de grasa. Cada vez que vaya a utilizar la barbacoa, revise el plato recolector y la bandeja de goteo desechable para cerciorarse de que no se haya acumulado un exceso de grasa.

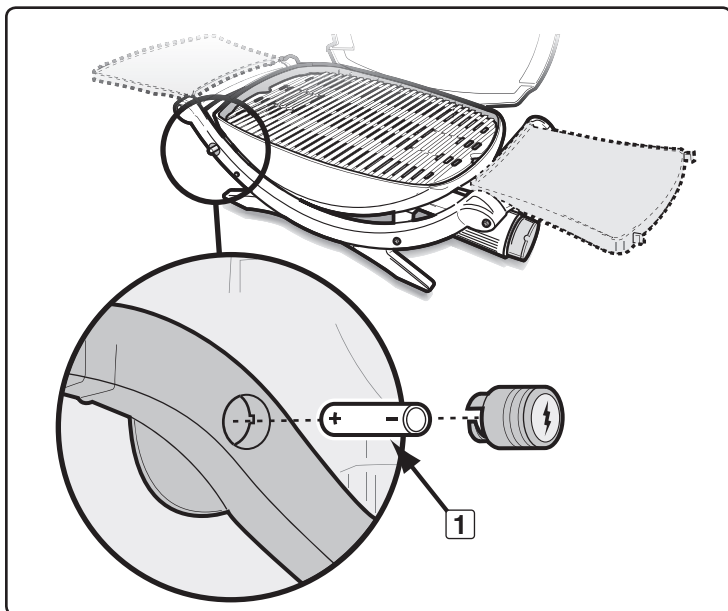
Retire el exceso de grasa con una espátula plástica; vea la ilustración. Cuando sea necesario, lave el plato recolector y la bandeja de goteo desechable con una solución de agua y jabón, y luego enjuáguela con agua. Reemplace la bandeja de goteo desechable en la medida que se requiera.

- ⚠ **ADVERTENCIA:** Antes de cada uso, verifique que no haya grasa acumulada en el plato recolector y la bandeja de goteo desechable. Elimine cualquier exceso de grasa para evitar un incendio. Un incendio de grasa puede causar lesiones corporales graves o daños materiales.
- ⚠ **PRECAUCIÓN:** No forre la caja de cocción con papel de aluminio. ♦



INSPECCIÓN DEL ENCENDEDOR EN LOS MODELOS CON ENCENDIDO ELECTRÓNICO

Verifique que la batería AAA esté en buen estado y que esté instalada correctamente (1). Algunas baterías cuentan con un envoltorio protector de plástico alrededor de ellas. Este plástico debe quitarse. No confunda este plástico con la etiqueta de la batería. ♦

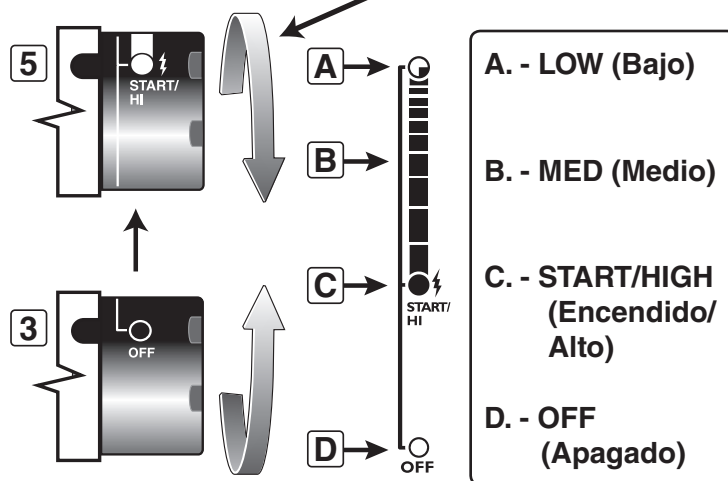
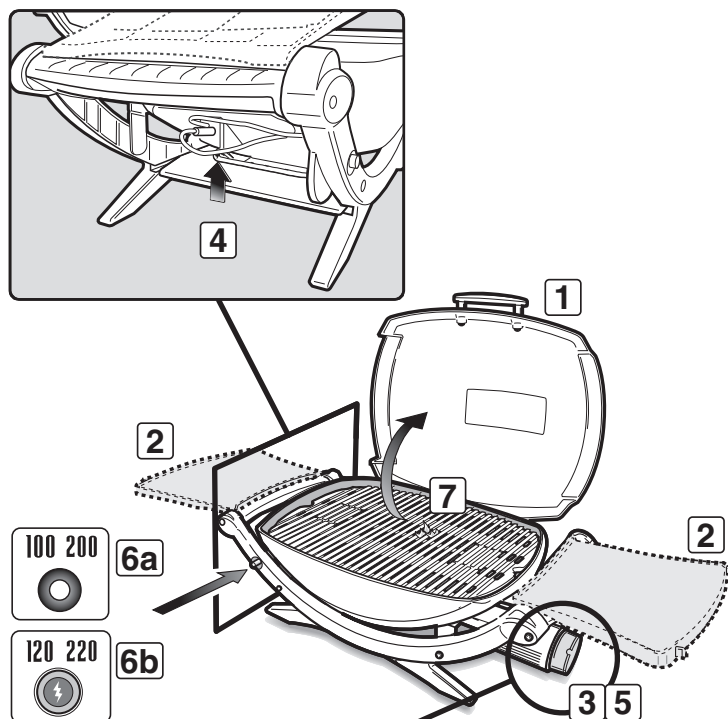


INSTRUCCIONES DE ENCENDIDO

ENCENDIDO

Las instrucciones resumidas para el encendido se encuentran en la mesa lateral desplegable (Q120, 200, 220).

- A) Abra la tapa (1).
- B) Despliegue las mesas laterales (2) (Q120, 200, 220).
- C) Asegúrese de que la perilla de control esté en la posición OFF (apagada) (3). (Presione la perilla de control y gírela en dirección de las agujas del reloj para asegurarse de que esté en la posición OFF (apagada)).
- ⚠ **ADVERTENCIA: No se incline sobre la barbacoa abierta. Mantenga su cara y cuerpo alejados por lo menos a una distancia de 30 cm (12 pulgadas) del orificio de encendido con cerillo al encender la barbacoa (4).**
- D) Presione la perilla de control del quemador y gírela a la posición START/HI (encendido/fuego alto) (5).
- E) Pulse el botón rojo de encendido varias veces, de manera que haga un chasquido cada vez (6a) (Q100, 200).
- F) Pulse varias veces el botón de encendido electrónico. Oír que chispea (6b) (Q120, 220).
- G) Viendo a través de la parrilla de cocción, verifique que el quemador esté encendido. Deberá ver una llama (7).
- ⚠ **ADVERTENCIA: Si el quemador no se enciende, gire la perilla del control del quemador a la posición OFF (apagado) y espere 5 minutos para permitir que el gas se disipe antes de tratar de nuevo o de que usted trate de encenderlo con una cerilla.**
- ⚠ **PRECAUCIÓN: No doble las mesas laterales sino hasta que a barbacoa esté fría (Q120, 200, 220).**



⚠ PELIGRO

El no abrir la tapa mientras se esté encendiendo el quemador de la barbacoa, o no esperar 5 minutos para permitir que el gas se disipe si la barbacoa no se enciende, puede resultar en una llamarada explosiva, la cual puede causar lesiones corporales serias o la muerte.

PARA APAGAR

Presione y gire la perilla de control del quemador en dirección de las agujas del reloj a la posición OFF (apagada). ♦

INSTRUCCIONES DE ENCENDIDO

ENCENDIDO MANUAL

- A) Abra la tapa (1).
- B) Despliegue las mesas laterales (2) (Q120, 200, 220).
- C) Asegúrese de que la perilla de control esté APAGADA (OFF) (3).
- D) Encienda un cerillo y coloque la llama en el orificio de encendido con cerillo debajo del encendedor. (4)

⚠ **ADVERTENCIA:** No se incline sobre la parrilla abierta. Al encender la barbacoa, mantenga su cara y cuerpo alejados a una distancia de por lo menos un pie (30 cm) del orificio de encendido con cerillo (4).

- E) Presione la perilla de control y gírela hacia START/HI (encendido/fuego alto) (5).
- F) Viendo a través de la parrilla de cocción, verifique que el quemador esté encendido. Deberá ver una llama (6).

⚠ **ADVERTENCIA:** Si el quemador no se enciende, gire la perilla del control del quemador a la posición OFF (apagado) y espere 5 minutos para permitir que el gas se disipe antes de tratar de nuevo o de que usted trate de encenderlo con una cerilla.

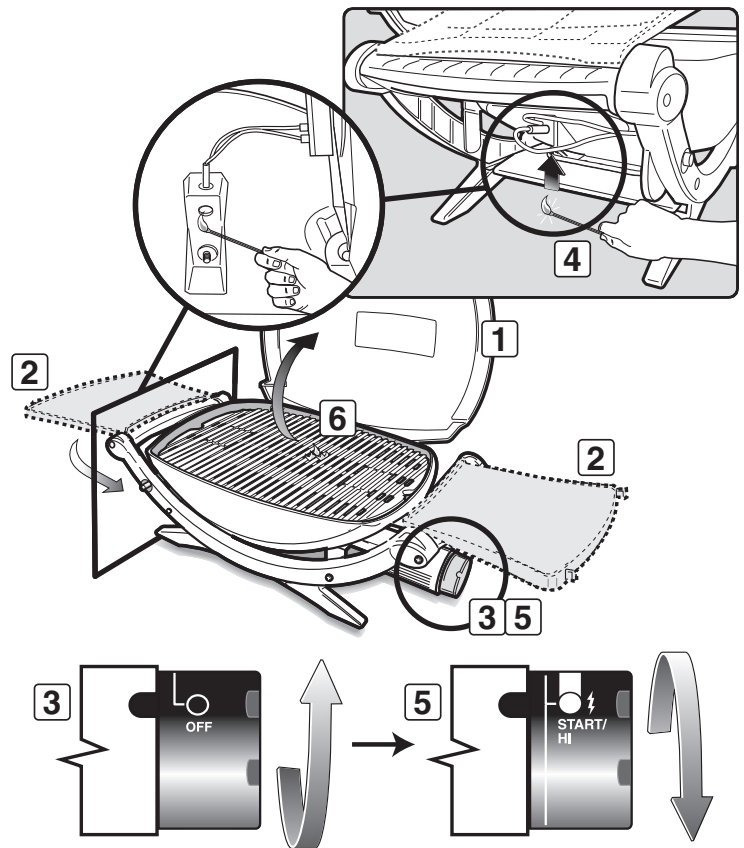
⚠ **PRECAUCIÓN:** No doble las mesas laterales sino hasta que a barbacoa esté fría (Q120, 200, 220).

⚠ PELIGRO

El no abrir la tapa mientras se esté encendiendo el quemador de la barbacoa, o no esperar 5 minutos para que el gas se disipe si la barbacoa no se enciende, puede resultar en una llamarada explosiva, la cual puede causar lesiones corporales serias o inclusive la muerte.

PARA APAGAR

Presione y gire la perilla de control del quemador en dirección de las agujas del reloj a la posición OFF (apagado). ♦



CONSEJOS PRÁCTICOS PARA ASAR

PRECALENTAMIENTO DE LA BARBACOA

Encienda la barbacoa Weber® Q® según las instrucciones de encendido en este manual del propietario. Cierre la tapa y gire la perilla de control del quemador a la posición START/HI (encendido/alto). Precalente la parrilla unos 10-15 minutos (dependiendo de tales condiciones como la temperatura del aire y el viento). Una vez se haya precalentado la barbacoa, ajuste la perilla de Control de Quemador al ajuste especificado en la receta.

⚠ **ADVERTENCIA:** No mueva la barbacoa de gas Weber® Q® mientras esté funcionando o esté caliente.

Nota: Según el viento y a las condiciones del tiempo quizás se necesite ajustar la perilla de control del quemador para obtener la temperatura de cocción correcta.

Si el quemador se apagase durante la cocción, abra la tapa, apague el quemador, y espere cinco minutos antes de volver a encender. ♦

COCCIÓN

Consulte las recetas en la guía de asado incluida con la barbacoa.

Una leve capa de aceite ayudará a dorar la comida de manera pareja y prevendrá que se ésta se pegue a la rejilla de cocinar. Siempre aplique el aceite, a cepillo o como spray, sobre la comida, no directamente sobre la parrilla de cocción.

Le sugerimos que ase con la tapa cerrada. ¿Por qué? Porque reduce las posibilidades de llamaradas y cocina su comida de manera más rápida y más pareja.

Cuando se use un adobo, salsa, o glaseado con un alto contenido de azúcar u otros ingredientes que se queman con facilidad, aplíquelos a la comida con un cepillo solamente durante los últimos 10 a 15 minutos del asado.

No se olvide de limpiar regularmente la parrilla de cocción con un cepillo y de vaciar la bandeja de goteo debajo de la parrilla.

Para más sugerencias y recetas de asados, visite www.weber.com. ♦

RESOLUCIÓN DE PROBLEMAS.

PROBLEMA	VERIFICACIÓN	SOLUCIÓN
El quemador quema con una llama amarilla o anaranjada, conjuntamente con un olor a gas.	Inspeccione la malla Weber® contra arañas e insectos para verificar que no esté obstruida (bloqueo de los orificios).	Limpie la malla Weber® contra arañas e insectos. Consulte la sección de "MANTENIMIENTO ANUAL"
El quemador no se enciende, o la llama está baja en la posición HI (fuego alto).	¿Está vacío o con bajo contenido el cilindro de combustible propano?	Reemplace el cilindro de propano. Consulte la sección "INSTRUCCIONES RESPECTO AL GAS".
El quemador no se enciende al pulsar el botón de encendido.	Cerciórese de que existe un flujo de gas a los quemadores intentando encender los mismos con un cerillo. Consulte la sección "ENCENDIDO MANUAL"	Si el encendido con un cerillo es exitoso, el problema está en el sistema de encendido. Consulte la sección "MANTENIMIENTO".
	¿Se tiene instalada una batería fresca?	Verifique que la batería esté en buen estado e instalada correctamente. Consulte la sección "ANTES DE UTILIZAR LA BARBACOA".
	¿Están los cables correctamente conectados al cajetín del encendedor?	Asegúrese de que los cables estén correctamente insertados en los terminales del cajetín de ignición. Consulte la sección "MANTENIMIENTO".
	¿Hay una envoltura plástica alrededor de la batería nueva?	Retire la envoltura plástica. No la confunda con la etiqueta de la batería.
	¿Está el tubo quemador colocado demasiado lejos del electrodo de encendido?	Cerciórese de que el tubo del quemador esté colocado correctamente con respecto al electrodo de encendido. Consulte la sección "MANTENIMIENTO".
Está experimentando llamaradas: ⚠ PRECAUCIÓN: No forre la caja de cocción con papel de aluminio.	¿Está precalentado la barbacoa de la manera prescrita?	Para precalentarla, encienda todos los quemadores a fuego alto (HI) durante 10 a 15 minutos.
	¿Está la parrilla de cocción recubierta con una capa gruesa de grasa quemada?	Límpiala a fondo. Consulte la sección "LIMPIEZA"
	¿Está la caja de cocción sucia y no permite que la grasa fluya al plato recolector?	Limpie la caja de cocción. Consulte la sección "LIMPIEZA"
El patrón de la llama es errático. La llama está baja en la posición HI (fuego alto). Las llamas no corren a todo lo largo del tubo del quemador.	¿Están limpios los quemadores?	Limpie el quemador. Consulte la sección "MANTENIMIENTO".
La parte interna de la tapa parece estarse "desconchando": (Parece pintura desconchada.)	La tapa es de aluminio, y no está pintada. No puede "desconcharse". Lo que está viendo es grasa pegada que se ha quemado y convertido en carbón y se está descascarando. ESTO NO ES UN DEFECTO.	Límpiala a fondo. Consulte la sección "LIMPIEZA"
Si los problemas no pueden corregirse utilizando estos métodos, póngase en contacto con el Representante de Servicios al Cliente en su área utilizando la información de contacto en nuestro sitio web. Conéctese a www.weber.com ®.		

LIMPIEZA

⚠ **ADVERTENCIA: APAGUE la barbacoa de gas Weber® y espere a que se enfríe antes de limpiarla.**

Superficies externas - Utilice una solución de agua jabonosa tibia para limpiarlas y luego enjuáguelas con agua.

⚠ **PRECAUCIÓN: No utilice en la barbacoa limpiadores de hornos, productos de limpieza abrasivos (productos de limpieza de la cocina), limpiadores que contengan productos cítricos ni almohadillas de limpieza abrasivas.**

Parrilla de cocción - Límpiela con un cepillo de cerda de acero inoxidable apropiado. Según se requiera, retírela de la barbacoa y lávela con agua jabonosa tibia y luego enjuáguela con agua.

Para obtener parrillas de cocción de reemplazo contacte al Representante de Servicio a los Clientes en su región usando la información de contacto en nuestro sitio web. Conéctese a www.weber.com.

Plato recolector - Hay disponibles bandejas desechables de lámina de metal, o usted mismo puede forrar el plato recolector con papel de aluminio. Para limpiar el plato recolector, lávelo con agua jabonosa tibia y luego enjuáguelo.

Dentro de la caja de cocción - Limpie con un cepillo cualquier suciedad encima de los tubos de los quemadores. **NO AGRADE LAS ABERTURAS DE LOS QUEMADORES.** Lave dentro de la caja de cocción con agua jabonosa y enjuague con agua limpia.

Dentro de la tapa - Mientras la tapa esté tibia, limpie la parte interna con una toalla de papel para prevenir la acumulación de grasa. La grasa acumulada escamada se asemeja a las escamas de pintura.

Mesas laterales (Q120, 200, 220) - Lávelas con un paño suave y una solución de agua y jabón.

No utilice limpiadores que contengan ácido, destilado de petróleo o xileno. Enjuague bien después de lavar.

Las mesas laterales (Q120, 200, 220) no deberán utilizarse como tablas de picar. ♦

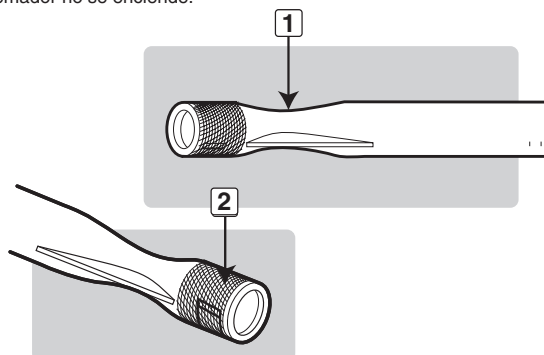
WEBER® MALLAS CONTRA ARAÑAS E INSECTOS

Su barbacoa de gas Weber®, al igual que cualquier otro aparato de gas al aire libre, es un blanco para las arañas y demás insectos. Pueden crear sus nidos en la sección (1) del venturi del tubo del quemador. Esto bloquea el flujo normal de gas, y puede causar que el gas fluya hacia atrás por el obturador de aire. Esto puede resultar en un fuego en y alrededor del obturador de aire, causando daños serios a la barbacoa.

En el obturador de aire del tubo quemador está colocada una malla de acero inoxidable (2) para prevenir la entrada de arañas e insectos al tubo del quemador a través de las aberturas de obturador aire.

Recomendamos que inspeccione la malla contra arañas e insectos por lo menos una vez por año. Consulte la sección "MANTENIMIENTO ANUAL." También inspeccione y limpie la malla contra arañas e insectos si cualquiera de los siguientes síntomas llegasen a ocurrir alguna vez:

- A) El olor a gas en conjunción con llamas del quemador con un apariencia muy amarilla y floja.
- B) La barbacoa no alcanza la temperatura esperada.
- C) La barbacoa se calienta de manera irregular.
- D) El quemador no se enciende.



⚠ PELIGRO

El no corregir estos síntomas podría resultar en un fuego que pudiera causar lesiones corporales serias o la muerte y daños materiales. ♦

LIMPIEZA O REEMPLAZO DEL TUBO DEL QUEMADOR

Usted necesitará: un destornillador de punta plana.

- A) La barbacoa Weber® Q® debe estar APAGADA y fría.
- B) CIERRE el gas en la fuente.
- C) Abra la tapa.
- D) Retire la parrilla de cocción.

Retiro del tubo del quemador

- E) Saque el tornillo de ¼-20 x ½ pulgadas que une el tubo del quemador a la caja de cocción (1).
- F) Con cuidado deslice el tubo del quemador fuera de la caja de cocción.

Limpieza del tubo del quemador

- G) Revise la parte interna del quemador con una linterna (2).
- H) Limpie la parte interna del quemador con un alambre (un colgador de ropa enderezado funcionará bien) (3).
- I) Revise y limpie la abertura de las compuertas de cierre del aire en los extremos de los quemadores. Revise y limpie los orificios de las válvulas en la base de la válvula. Utilice un cepillo de cerdas de acero para limpiar la parte externa del quemador. Esto es para asegurarse de que las aberturas de los quemadores estén completamente abiertas.

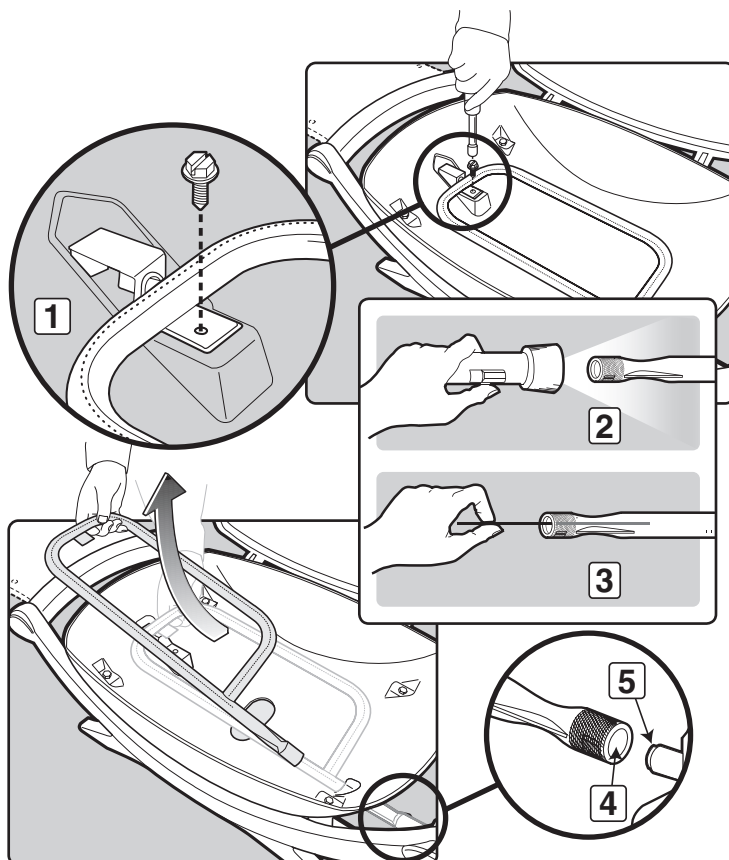
⚠ **PRECAUCIÓN: Al limpiar, no agrande las aberturas del quemador.**

- J) Golpee ligeramente el quemador para sacar la basura y suciedad fuera del tubo del quemador. Una vez limpios, vuelva a colocar la malla y el quemador en su sitio.

Reinstalación del tubo del quemador

⚠ **PRECAUCIÓN: La abertura del quemador (4) deberá posicionarse correctamente sobre los orificios de la válvula (5).**

- K) Para reinstalar el quemador, proceda con los pasos E) al F) en reverso. ♦



OPERACIONES DEL SISTEMA DE ENCENDIDO CON BOTÓN DE OPRIMIR

Si el Sistema de Encendido de Botón de Oprimir (un elemento en algunas de nuestras barbacoas) no llegase a encender el quemador, confirme que el gas esté fluyendo intentando encender los quemadores con un cerillo. Consulte el "ENCENDIDO MANUAL." Si el encendido con un cerillo es exitoso, el problema está en el sistema de encendido.

⚠ ADVERTENCIA: Todos los controles de gas y válvulas de suministro deberán estar cerrados en la posición OFF.

- Revise que tanto el cable de encendido blanco (1) como el negro (2) estén correctamente conectados.
- Verifique que el botón de encendido puede presionarse hacia abajo, que hace un chasquido y que luego retorna a la posición de arriba.

Si el sistema de encendido todavía no logra encender el quemador, contacte al Representante de Servicio a los Clientes en su región usando la información de contacto en nuestro sitio web. Conéctese a www.weber.com. ♦

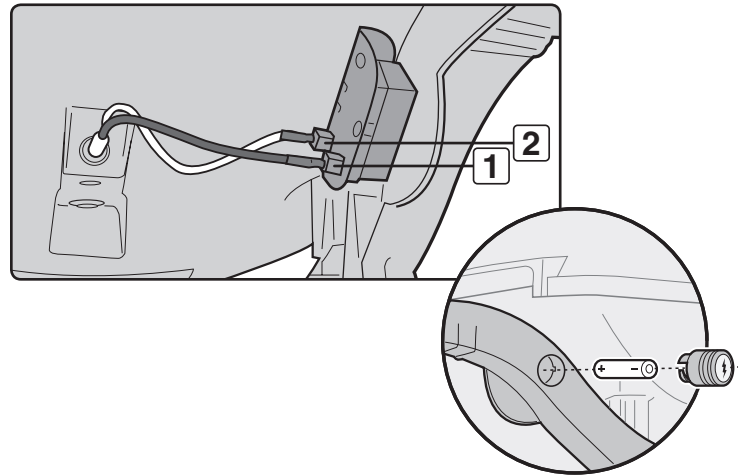
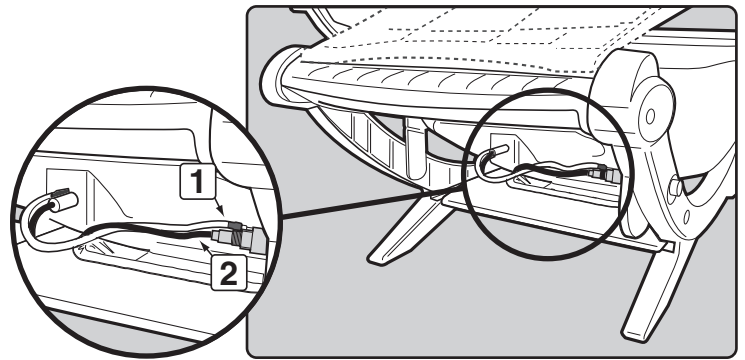
OPERACIONES CON EL SISTEMA ELECTRÓNICO DE ENCENDIDO

Si el Sistema de Encendido Electrónico (un elemento en algunas de nuestras barbacoas) no llegase a encender el quemador, confirme que el gas esté fluyendo intentando encender los quemadores con un cerillo. Consulte el "ENCENDIDO MANUAL." Si el encendido con un cerillo es exitoso, el problema está en el Sistema de Encendido Electrónico.

⚠ ADVERTENCIA: Todos los controles de gas y válvulas de suministro deberán estar cerrados en la posición OFF.

- Verifique que ambos cables de encendido estén correctamente conectados a los electrodos del encendedor en el módulo de encendido. El cable negro al electrodo (1), el cable blanco al electrodo (2).
- Verifique que la batería AAA (sólo alcalinas) esté en buen estado e instalada correctamente. Algunas baterías cuentan con un envoltorio protector de plástico alrededor de ellas. Este plástico debe quitarse. No confunda este plástico con la etiqueta de la batería.
- Asegúrese de que el botón de Encendido Electrónico esté funcionando mediante la verificación visual y auditiva de que se están generando chispas en el quemador.

Si el sistema de encendido electrónico aún no logra encender el quemador, contacte al Representante de Servicios al Cliente en su área usando la información de contacto en nuestro sitio web. Conéctese a www.weber.com. ♦



MANTENIMIENTO ANUAL

Inspección y limpieza de la malla contra arañas e insectos

Si hubiera polvo o suciedad sobre la malla, retire el quemador para limpiarla. Consulte "LIMPIEZA O REEMPLAZO DEL TUBO DEL QUEMADOR."

Con un cepillo de cerdas suaves (p.ej., un cepillo de dientes viejo), cepille suavemente la malla contra arañas e insectos.

⚠ PRECAUCIÓN: No limpie la malla contra arañas e insectos con herramientas duras o afiladas. No desarme la malla ni agrande los orificios de la misma.

Golpee ligeramente el quemador para sacar la basura y suciedad fuera del tubo del quemador. Una vez limpios, vuelva a colocar la malla y el quemador en su sitio.

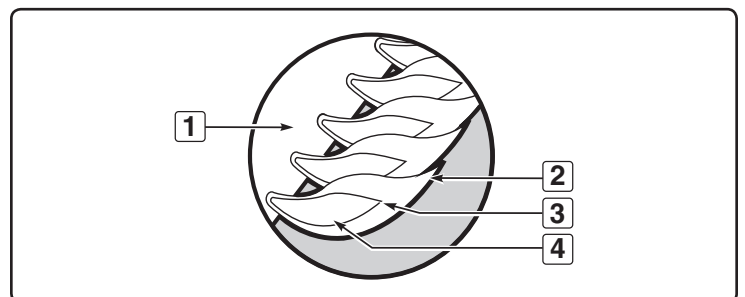
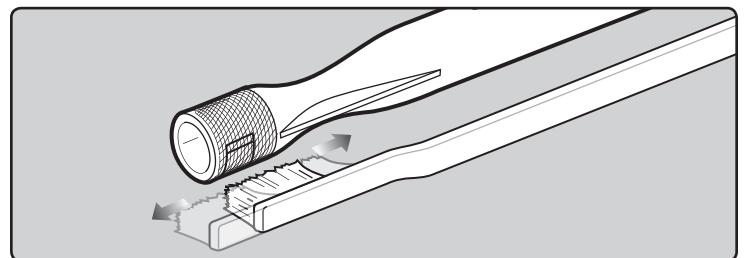
Si la malla contra arañas e insectos se daña o no pudiera limpiarse, póngase en contacto con el Representante de Servicios al Cliente en su área utilizando la información de contacto en nuestro sitio web. Conéctese a www.weber.com. ♦

Patrón de la llama del quemador principal

El quemador de la barbacoa de gas Weber® ha sido ajustado en la fábrica para la mezcla correcta de aire y gas. Aquí se muestra el patrón correcto de la llama.

- Tubo del quemador (1)
- Ocasional parpadeo amarillo en las puntas (2)
- Azul claro (3)
- Azul oscuro (4)

Si las llamas no se presentan de manera uniforme a lo largo del tubo del quemador, siga las instrucciones de limpieza del quemador. ♦



Mode d'emploi du grill à gaz PL

#54329

Enregistrez votre grill en ligne sur www.weber.com

⚠ DANGER

Si vous sentez du gaz :

1. Fermez le gaz en direction de l'appareil.
2. Eteignez toute flamme nue.
3. Ouvrez le couvercle.
4. Si l'odeur persiste, restez éloigné de l'appareil et appelez immédiatement les pompiers.

Le non respect de ces instructions risquerait de provoquer un incendie ou une explosion, susceptible de provoquer des dégâts matériels, des blessures voire un décès.

CET APPAREIL A GAZ EST CONCU POUR UNE UTILISATION EN EXTERIEUR UNIQUEMENT.

⚠ DANGER

1. Ne laissez jamais cet appareil fonctionner sans surveillance.
2. N'utilisez jamais cet appareil dans un rayon de 10 pieds (3 m) de toute structure, de tout matériau combustible ou d'une autre bouteille de gaz.
3. N'utilisez jamais cet appareil dans un rayon de 25 pieds (7,5 m) de tout liquide inflammable.
4. En cas d'incendie, restez éloigné de l'appareil et appelez immédiatement les pompiers. N'essayez pas d'éteindre un feu d'huile ou de graisse avec de l'eau.

Le non respect de ces instructions risquerait de provoquer un incendie, une explosion ou un risque de brûlure, susceptible d'entraîner des dégâts matériels, des blessures voire un décès.

- ⚠ Le présent mode d'emploi contient des informations importantes nécessaires pour le montage correct et l'utilisation sans danger de cet appareil.
- ⚠ Lisez et suivez la totalité des mises en garde et des instructions avant d'assembler et d'utiliser l'appareil.
- ⚠ Suivez la totalité des mises en garde et des instructions lorsque vous utilisez l'appareil.
- ⚠ Conservez ce manuel pour une consultation ultérieure.



DANGERS ET MISES EN GARDE

- ⚠ Suivez la totalité des procédures de détection des fuites de ce manuel avec attention avant d'utiliser le barbecue. Faites-le même si le barbecue a été assemblé par le revendeur.
- ⚠ Ne stockez pas une bouteille de propane de rechange ou une bouteille de propane débranchée sous ou à proximité de ce barbecue.
- ⚠ Un assemblage incorrect peut s'avérer dangereux. Veuillez suivre avec attention les instructions pour l'assemblage de ce manuel.
- ⚠ Après une période de stockage, et/ou d'inutilisation, le barbecue à gaz Weber® devrait faire l'objet d'une détection des fuites et des obstructions du brûleur avant utilisation. Voir les instructions de ce manuel pour les procédures correctes.
- ⚠ N'utilisez pas le barbecue à gaz Weber® en cas de fuite de gaz.
- ⚠ N'utilisez pas de flamme nue pour détecter les fuites de gaz.
- ⚠ Aucun matériau combustible ne devrait jamais se situer à moins de 24 pouces (63,5 cm) de l'arrière ou des côtés de votre barbecue à gaz Weber®.
- ⚠ Votre barbecue à gaz Weber® ne devrait jamais être utilisé par des enfants. Les pièces accessibles de ce barbecue peuvent atteindre des températures très élevées. Maintenez les jeunes enfants éloignés pendant son utilisation.
- ⚠ Vous devriez faire preuve d'une prudence raisonnable lorsque vous utilisez votre barbecue à gaz Weber®. Il atteindra une température élevée pendant la cuisson ou le nettoyage et il ne devrait jamais être laissé sans surveillance, ou déplacé pendant son utilisation.
- ⚠ Si le brûleur s'éteint pendant son fonctionnement, fermez la valve de gaz. Ouvrez le couvercle et patientez cinq minutes avant de tenter de le rallumer, à l'aide des instructions pour l'allumage.
- ⚠ N'utilisez pas de charbon de bois ou de pierre de lave dans votre barbecue à gaz Weber®.
- ⚠ Ne vous penchez pas au-dessus d'un grill ouvert ou ne placez pas les mains ou les doigts sur l'extrémité avant du boîtier de cuisson.
- ⚠ Si un feu de graisse se produisait, fermez le brûleur et maintenez le couvercle fermé jusqu'à l'extinction du feu.
- ⚠ N'élargissez pas l'orifice de la valve ou les ports du brûleur pendant que vous nettoyez la valve ou le brûleur.
- ⚠ Le barbecue à gaz Weber® devrait être régulièrement nettoyé de manière approfondie.
- ⚠ Utilisez le régulateur qui est fourni avec votre barbecue à gaz Weber®.
- ⚠ Le gaz propane n'est pas du gaz naturel. La conversion ou la tentative d'utilisation de gaz naturel dans un appareil à propane ou de gaz propane dans un appareil à gaz naturel est dangereuse et cela annulera votre garantie.
- ⚠ Ne tentez de débrancher aucun raccord de gaz pendant le fonctionnement du barbecue.
- ⚠ Utilisez des maniques pour barbecue résistantes à la chaleur ou des gants lorsque vous utilisez le barbecue.
- ⚠ Maintenez tout cordon d'alimentation électrique à l'écart de toute surface chauffée.
- ⚠ Les sous-produits de combustion émis lors de l'utilisation de ce produit contiennent des agents chimiques reconnus par l'état de Californie comme étant à l'origine du cancer, de malformations à la naissance ou d'autres troubles de la reproduction.
- ⚠ N'utilisez ce barbecue que si toutes les pièces sont en place. Cet appareil doit être correctement assemblé conformément aux instructions présentées dans les instructions intitulées "Assemblage" du Mode d'emploi.
- ⚠ N'utilisez pas le grill Weber® Q® dans un coffre de véhicule, dans un wagon ferroviaire, dans un mini-van, dans un véhicule SUV (Sport Utility Vehicle), ou dans un véhicule de loisir (Recreational Vehicle - RV).
- ⚠ Ne tentez pas de déconnecter le régulateur de gaz ou tout autre raccord de gaz pendant le fonctionnement de votre barbecue.
- ⚠ N'encastrez pas ce modèle de grill à l'intérieur d'une structure à encastrement ou à glissière. Le fait de ne pas respecter cette mise en garde pourrait provoquer un incendie ou une explosion susceptible d'entraîner des dégâts matériels et des blessures graves voire un décès.
- ⚠ Proposition 65 Mise en garde : La manipulation du matériau en cuivre sur ce produit vous expose à du plomb, agent chimique reconnu par l'état de Californie comme étant à l'origine de cancers, de malformations à la naissance ou d'autres troubles de la reproduction. (Lavez-vous les mains après avoir manipulé ce produit.)
- ⚠ Si vous voyez, sentez ou entendez le sifflement du gaz qui s'échappe de la bouteille de gaz :
 1. Eloignez-vous de la bouteille de propane.
 2. Ne tentez pas de corriger le problème vous-même.
 3. Appelez les pompiers.

TABLE DES MATIERES

VUE ECLATEE Q100	4	AVANT D'UTILISER LE BARBECUE	34
VUE ECLATEE Q120	5	EGOUTTOIR ET EGOUTTOIR JETABLE	34
VUE ECLATEE Q200	6	INSPECTION DE L'ALLUMEUR POUR LES MODELES AVEC ALLUMAGE ELECTRONIQUE	34
VUE ECLATEE Q220	7	INSTRUCTIONS POUR L'ALLUMAGE	35
LISTE DES PIECES	8	ALLUMAGE	35
ASSEMBLAGE	8	POUR ETEINDRE	35
DANGERS ET MISES EN GARDE	30	ALLUMAGE MANUEL	36
TABLE DES MATIERES	31	POUR ETEINDRE	36
GARANTIE	32	CONSEILS & ASTUCES POUR LA GRILLADE	36
GENERALITES	32	PRECHAUFFAGE DU BARBECUE	36
INSTALLATION AU CANADA	32	CUISSON	36
UTILISATION	32	DEPANNAGE	37
STOCKAGE ET/OU INUTILISATION	32	MAINTENANCE	38
INSTRUCTIONS CONCERNANT LE GAZ	33	NETTOYAGE	38
FIXER LA BOUTEILLE DE PROPANE	33	NETTOYAGE OU REMPLACEMENT DU TUBE DU BRULEUR	38
DETECTION DES FUITES DE GAZ	33	GRILLES ANTI-ARAIGNEES/INSECTES WEBER®	38
		UTILISATION DU DISPOSITIF D'ALLUMAGE PAR BOUTON-POUSOIR	39
		UTILISATION DU DISPOSITIF D'ALLUMAGE ELECTRONIQUE	39
		MAINTENANCE ANNUELLE	39

GARANTIE

Weber-Stephen Products LLC (Weber®) garantit par le présent document à L'ACHETEUR D'ORIGINE de ce grill à gaz Weber® que celui-ci ne comportera pas de défaut de pièces ni de main d'oeuvre à compter de la date d'achat comme suit :

Roulettes en aluminium	5 ans, 2 ans pour la peinture à l'exception de la décoloration
Pièces thermoplastiques	5 ans à l'exception de la décoloration
Chariot	2 ans
Toutes les autres pièces	2 ans

Weber peut exiger une preuve raisonnable de votre date d'achat. PAR CONSEQUENT, VOUS DEVRIEZ CONSERVER VOTRE TICKET DE CAISSE OU VOTRE FACTURE.

La présente Garantie limitée sera limitée à la réparation ou au remplacement des pièces qui s'avèrent défectueuses dans des conditions normales d'utilisation et d'entretien et dont l'examen indiquera, à la satisfaction de Weber, qu'elles sont défectueuses. Avant de retourner toute pièce, veuillez contacter le représentant du Service clientèle de votre région à l'aide de la fiche de contact fournie avec votre manuel. Si Weber confirme le défaut et approuve la demande, Weber choisira de remplacer ces pièces sans frais. S'il vous est demandé de retourner les pièces défectueuses, les frais de transport doivent être prépayés. Weber renverra les pièces à l'acheteur franco de port.

La présente Garantie limitée ne prend pas en charge les défaillances ou difficultés d'utilisation résultant d'accidents, d'une utilisation abusive, d'une mauvaise utilisation, d'une altération, d'une mauvaise application, d'un vandalisme, d'une installation incorrecte ou d'une maintenance ou d'un entretien incorrects, ou du fait de n'avoir pas effectué la maintenance normale et régulière, y compris mais pas uniquement les dégâts provoqués par des insectes à l'intérieur des tubes du brûleur, comme indiqué dans le présent mode d'emploi.

La détérioration ou les dégâts provoqués par des conditions météorologiques graves comme de la grêle, des ouragans, des séismes ou des tornades, une décoloration résultant d'une exposition à des agents chimiques, directement ou dans l'atmosphère, ne sont pas couverts par la présente Garantie limitée.

Il n'existe pas d'autre garantie expresse à l'exception de ce qui est énoncé ici et toute garantie induite en vigueur concernant la possibilité de commercialiser cet appareil et de l'adapter à un usage particulier a une durée limitée à la période de couverture par cette Garantie limitée écrite expresse. Certaines régions n'autorisent pas la limitation de la durée d'une garantie induite, il est donc possible que cette limitation ne s'applique pas dans votre cas.

Weber n'est pas responsable de tout dommage particulier, indirect ou secondaire. Certaines régions n'autorisent pas l'exclusion ou la limitation des dégâts induits ou secondaires, il est donc possible que cette limitation ne s'applique pas dans votre cas.

Weber n'autorise aucune personne ou société à assumer en son nom toute obligation ou responsabilité en relation avec la vente, l'installation, l'utilisation, le retrait, le retour ou le remplacement de ses équipements ; et aucune représentation de ce type n'engage Weber®.

Cette Garantie s'applique uniquement aux produits vendus au détail.

Afin de valider votre garantie, veuillez enregistrer votre grill en ligne.

Visitez www.weber.com ♦

WEBER-STEPHEN PRODUCTS LLC
Centre de Service clientèle
1890 Roselle Road, Suite 308
Schaumburg, IL, USA 60195
www.weber.com ♦

GENERALITES

Votre grill à gaz Weber® est un appareil de cuisson en extérieur portable. Avec le grill à gaz Weber® vous pouvez griller, rôtir et cuire avec des résultats qui sont difficiles à reproduire avec des appareils de cuisine d'intérieur. Le couvercle fermé produit cette saveur "d'extérieur" dans les aliments.

Ce grill à gaz Weber® est portable de sorte que vous pouvez facilement modifier son emplacement dans votre cour ou dans votre patio. L'aspect transportable signifie que vous pouvez emmener avec vous votre grill à gaz Weber®, si vous vous déplacez.

L'alimentation en gaz propane est facile à utiliser et elle vous donne davantage de contrôle sur la cuisson que du charbon de bois.

- Ces instructions vont vous indiquer le minimum nécessaire pour l'assemblage de votre grill à gaz Weber®. Veuillez lire les instructions avec attention avant d'utiliser votre grill à gaz Weber®. Un assemblage incorrect peut s'avérer dangereux.
- Ne convient pour une utilisation par des enfants.
- S'il existe des codes régionaux qui s'appliquent aux grills à gaz portatifs, vous devrez vous y conformer. En l'absence de codes régionaux, vous devrez être en conformité avec la dernière édition du Code national du gaz combustible : ANSI Z 223.1/ NFPA54.
- Le régulateur de pression fourni avec le grill à gaz Weber® doit être utilisé. Ce régulateur est paramétré pour 11 pouces de colonne d'eau (pression).
- Ce grill à gaz Weber® est conçu pour une utilisation avec du gaz propane uniquement. Ne l'utilisez pas avec du gaz naturel (gaz de ville). La valve et le régulateur sont conçus pour du gaz propane uniquement.
- Ne pas utiliser de charbon de bois comme combustible.
- Ce grill à gaz Weber® n'est pas conçu pour une utilisation commerciale.
- L'utilisation d'alcool, de médicaments avec ou sans ordonnance peut altérer la capacité du consommateur à assembler correctement ou à utiliser l'appareil sans danger.
- Ce grill à gaz Weber® n'est pas conçu pour être utilisé en tant que chauffage et il ne devrait jamais être utilisé de cette manière.
- Ne laissez pas le grill à gaz Weber® sans surveillance. Maintenez les enfants et les animaux domestiques éloignés du grill à gaz Weber® tout le temps.
- Vérifiez que la zone située sous le panneau de commande et l'égouttoir ne comporte pas de débris susceptibles de faire obstruction au flux de l'air nécessaire à la combustion ou à la ventilation. ♦

INSTALLATION AU CANADA

Ces instructions, bien qu'elles soient généralement acceptables, ne sont pas nécessairement conformes aux codes pour une installation au Canada, en particulier en ce qui concerne les canalisations au-dessus et au-dessous du sol.

Au Canada, l'installation de cet appareil doit respecter les codes régionaux et/ou la Norme CAN/CGA-B149.1 Code pour les installations au gaz naturel et au propane. ♦

UTILISATION

- ▲ **MISE EN GARDE : Utilisez ce grill uniquement en extérieur dans une zone bien ventilée. Ne l'utilisez pas dans un garage, un bâtiment, sous un passage couvert ou toute autre zone confinée.**
- ▲ **MISE EN GARDE : Votre grill à gaz Weber® ne doit pas être utilisé sous une structure inflammable.**
- ▲ **MISE EN GARDE : Votre grill à gaz Weber® n'est pas conçu pour être installé dans ou sur un véhicule de loisir et/ou des bateaux.**
- ▲ **MISE EN GARDE : N'utilisez pas le grill dans un rayon de 24 pouces par rapport à tout matériau inflammable.**
- ▲ **MISE EN GARDE : La totalité du boîtier de cuisson atteint une température élevée pendant l'utilisation. Ne pas laisser sans surveillance.**
- ▲ **MISE EN GARDE : Maintenez tout cordon d'alimentation électrique éloigné de toute surface chauffée.**
- ▲ **MISE EN GARDE : Maintenez la zone de cuisson dégagée de toute vapeur inflammable et de tout liquide comme de l'essence, de l'alcool, etc., et de tout matériau inflammable.**
- ▲ **MISE EN GARDE : Ne conservez jamais une Bouteille de propane (de rechange) au-dessous ou à proximité du grill à gaz Weber®.**
- ▲ **MISE EN GARDE : Pendant la cuisson, l'appareil doit se trouver sur une surface plane et stable, dans une zone ne contenant aucun matériau combustible. Une surface en asphalte (noire) ne peut pas être acceptable pour cet usage.** ♦

STOCKAGE ET/OU INUTILISATION

- Lorsque le grill à gaz Weber® n'est pas utilisé, la bouteille de propane doit être DECONNECTEE et la bouteille de propane rangée à l'extérieur dans un espace bien ventilé. Placez des caches anti-poussière sur les sorties de la valve de la bouteille lorsque celle-ci n'est pas utilisée.
- Le grill à gaz Weber® devrait faire l'objet d'une détection des fuites et des obstructions à l'intérieur des tubes du brûleur avant utilisation. Voir "MAINTENANCE."
- La grille anti-araignées/insectes devrait également être vérifiée afin de détecter toute obstruction. Voir "MAINTENANCE." ♦

INSTRUCTIONS CONCERNANT LE GAZ

FIXER LA BOUTEILLE DE PROPANE

Utilisez des bouteilles de propane jetables d'une capacité de 14,1 oz. ou 16,4 oz. équipées d'un raccord CGA N° 600.

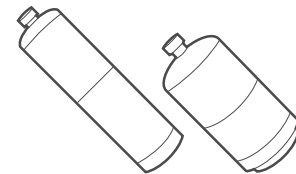
⚠ ATTENTION : Utilisez uniquement des bouteilles portant l'inscription "Combustible propane".

Remarque : Votre grille à gaz Weber® est équipée d'un dispositif d'alimentation de la bouteille conçu pour l'élimination de la vapeur.

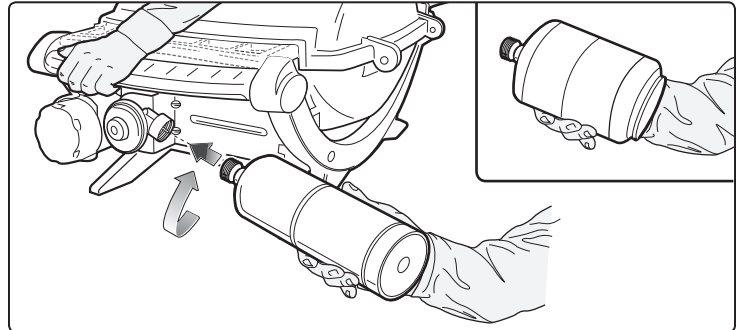
Assurez-vous que le brûleur est en position d'arrêt.

Tout en maintenant la poignée de transport au plus près de la bouteille de propane d'une main, enfoncez la bouteille de propane à l'intérieur du régulateur et tournez dans le sens des aiguilles d'une montre jusqu'à ce que cela soit bien serré.

⚠ MISE EN GARDE : N'utilisez pas de clé pour serrer le raccord. L'utilisation d'une clé risquerait de détériorer le couplage du régulateur et pourrait provoquer une fuite.



14.1 oz 16.4 oz



⚠ DANGER

Ne conservez pas une bouteille de gaz PL de recharge sous cet appareil ou à proximité de celui-ci. Si les instructions ne sont pas suivies exactement, un incendie provoquant un décès ou une blessure grave pourrait se produire. ♦

DETECTION DES FUITES DE GAZ

⚠ DANGER

N'utilisez pas de flamme nue pour détecter les fuites de gaz. Assurez-vous qu'il n'y a pas d'étincelles ou de flammes nues dans la zone pendant que vous détectez les fuites. Des étincelles ou des flammes vont provoquer un incendie ou une explosion susceptible de provoquer des blessures graves voire un décès ainsi que des dégâts matériels.

Remarque : Tous les raccords réalisés en usine ont été testés de manière approfondie afin de détecter les fuites de gaz. Les brûleurs ont été testés à la flamme. Par mesure de précaution toutefois, vous devriez vérifier la totalité des raccords afin de détecter les fuites avant d'utiliser votre grill à gaz Weber®. L'expédition et la manipulation ont peut-être desserré ou détérioré un raccord de gaz.

⚠ MISE EN GARDE : Effectuez ces détections des fuites même si votre grill a été assemblé par un revendeur ou en boutique.

Vous aurez besoin d'une solution d'eau savonneuse et d'un chiffon ou d'une brosse pour l'appliquer. Pour effectuer la détection des fuites assurez-vous que le brûleur est à l'arrêt.

⚠ MISE EN GARDE : N'allumez pas le brûleur pendant que vous détectez les fuites.

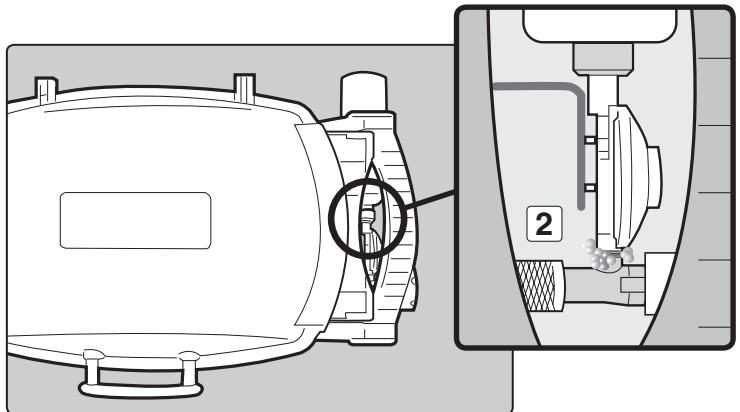
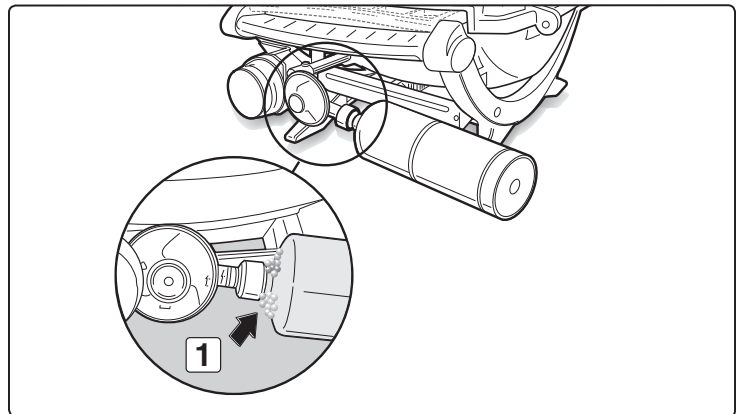
Détectez les fuites en humidifiant les raccords à l'aide d'une solution d'eau savonneuse, et en observant si des bulles se forment. Si des bulles se forment, ou si une bulle grossit, il y a une fuite.

Vérifiez :

A) Raccord entre le régulateur et la bouteille de propane (1).

⚠ MISE EN GARDE : En cas de fuite au niveau du raccord (1), retirez la bouteille de propane. N'utilisez pas le grill. Utilisez une bouteille de propane différente et détectez à nouveau les fuites à l'aide d'une solution d'eau savonneuse. Si une fuite persiste une fois que vous avez resserré la bouteille de propane, retirez la bouteille de propane. N'UTILISEZ PAS LE GRILL. Contactez le représentant du Service clientèle de votre région à l'aide des coordonnées à votre disposition sur notre site Internet.

Connectez-vous sur www.weber.com®.



B) Raccords entre la valve et le régulateur (2).

⚠ MISE EN GARDE : En cas de fuite au niveau du raccord (2), retirez la bouteille de propane. N'UTILISEZ PAS LE GRILL. Contactez le représentant du Service clientèle de votre région à l'aide des coordonnées à votre disposition sur notre site Internet. Connectez-vous sur www.weber.com®.

C) Lorsque la détection des fuites est terminée, rincez les raccords à l'eau.

Remarque : Dans la mesure où certaines solutions de détection des fuites, y compris l'eau savonneuse, peuvent être légèrement corrosives, la totalité des raccords devrait être rincée à l'eau après la détection des fuites.

⚠ MISE EN GARDE : Vous devriez détecter les fuites de gaz à chaque fois que vous déconnectez puis reconnectez un raccord de gaz. ♦

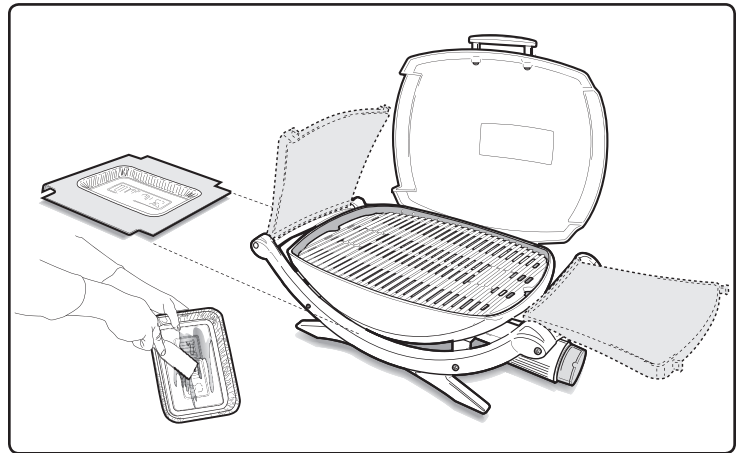
AVANT D'UTILISER LE BARBECUE

EGOUTTOIR ET EGOUTTOIR JETABLE

Votre grill a été fabriqué avec un dispositif de recueil des graisses. Vérifiez l'égouttoir et l'égouttoir jetable pour détecter toute accumulation de graisses à chaque fois que vous utilisez le grill.

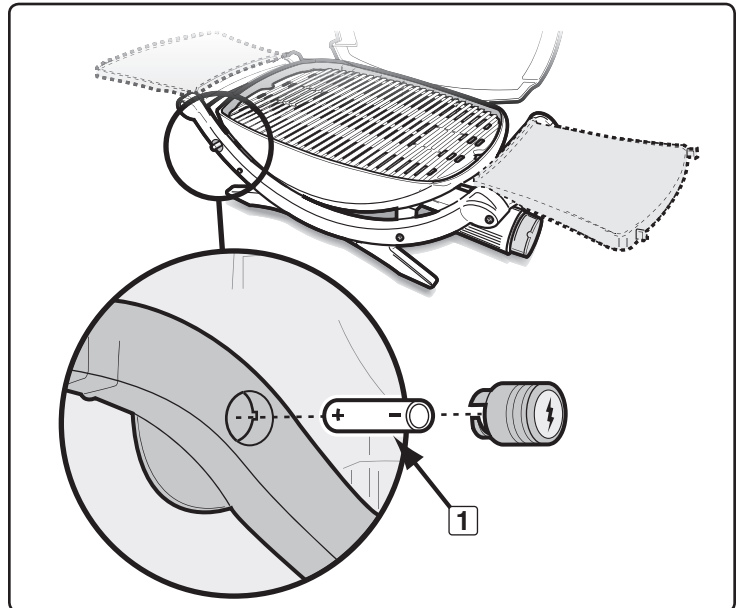
Retirez l'excès de graisse à l'aide d'une spatule en plastique ; voir l'illustration. Lorsque cela s'avère nécessaire, lavez l'égouttoir et l'égouttoir jetable à l'aide d'une solution d'eau savonneuse, puis rincez à l'eau claire. Remplacez l'égouttoir jetable lorsque c'est nécessaire.

- ⚠ **MISE EN GARDE : Vérifiez l'égouttoir et l'égouttoir jetable pour détecter toute accumulation de graisse avant chaque utilisation. Retirez l'excès de graisse pour éviter un embrasement des graisses. Un feu de graisses risque de provoquer une blessure physique grave ou des dégâts matériels.**
- ⚠ **ATTENTION : Ne recouvrez pas le boîtier de cuisson avec du papier aluminium.** ♦



INSPECTION DE L'ALLUMEUR POUR LES MODELES AVEC ALLUMAGE ELECTRONIQUE

Vérifiez que votre pile AAA est en bon état et qu'elle est installée correctement (1). Certaines piles sont protégées par un emballage plastique. Ce plastique doit être retiré. Ne confondez pas cette protection avec l'étiquette de la pile. ♦



INSTRUCTIONS POUR L'ALLUMAGE

ALLUMAGE

Vous trouverez des consignes d'allumage résumées sur la tablette latérale pliante (Q120, 200, 220).

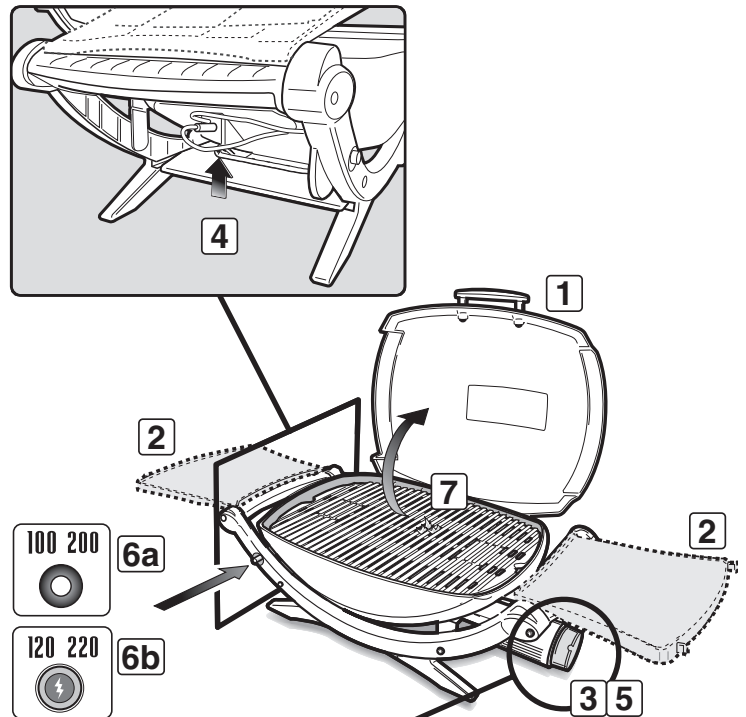
- A) Ouvrez le couvercle (1).
- B) Dépliez les tablettes latérales (2) (Q120, 200, 220).
- C) Assurez-vous que le bouton de commande est en position d'arrêt (OFF) (3).
(Enfoncez le bouton de commande et tournez dans le sens des aiguilles d'une montre pour vous assurer qu'il est en position d'arrêt.)

⚠ MISE EN GARDE : Ne vous penchez pas au-dessus du barbecue ouvert. Maintenez le visage et le corps à au moins 30 cm (12 po) d'écart par rapport au trou pour allumettes lorsque vous allumez le barbecue (4).

- D) Enfoncez le bouton de commande du brûleur et tournez-le vers START/HI (5).
- E) Enfoncez le bouton d'allumage rouge plusieurs fois, de sorte qu'il produise un déclic à chaque fois (6a) (Q100, 200).
- F) Enfoncez le bouton d'allumage électronique plusieurs fois. Vous entendrez la production d'étincelles (6b) (Q120, 220).
- G) Vérifiez que le brûleur est allumé en regardant à travers la grille de cuisson. Vous devriez voir une flamme (7).

⚠ MISE EN GARDE : Si le brûleur ne s'allume pas, positionnez le bouton de commande du brûleur en position d'arrêt (OFF) et patientez 5 minutes pour laisser le gaz se dissiper avant d'essayer à nouveau ou d'essayer d'allumer avec une allumette.

⚠ ATTENTION : Ne repliez pas les tablettes latérales avant que le barbecue soit refroidi (Q120, 200, 220).

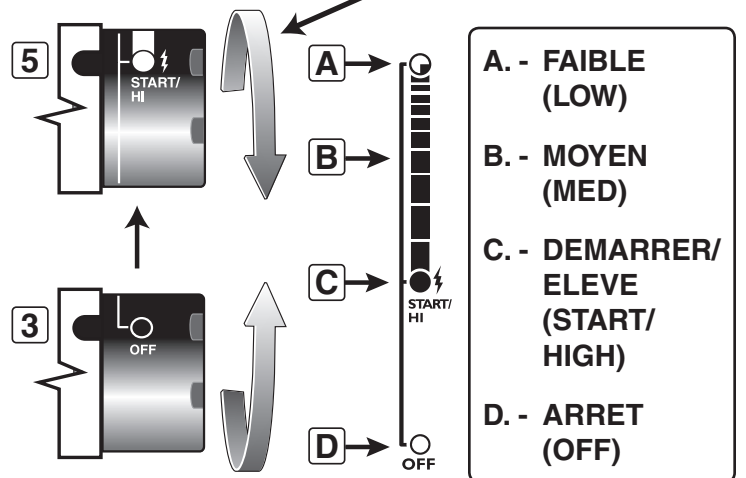


⚠ DANGER

Le fait de ne pas ouvrir le couvercle pendant l'allumage du brûleur du grill, ou de ne pas patienter 5 minutes pour laisser le gaz se dissiper si le grill ne s'allume pas, risque de provoquer un embrasement explosif susceptible d'entraîner des blessures graves voire un décès.

POUR ETEINDRE

Enfoncez et tournez le bouton de commande du brûleur dans le sens des aiguilles d'une montre vers la position d'arrêt (OFF). ♦



INSTRUCTIONS POUR L'ALLUMAGE

ALLUMAGE MANUEL

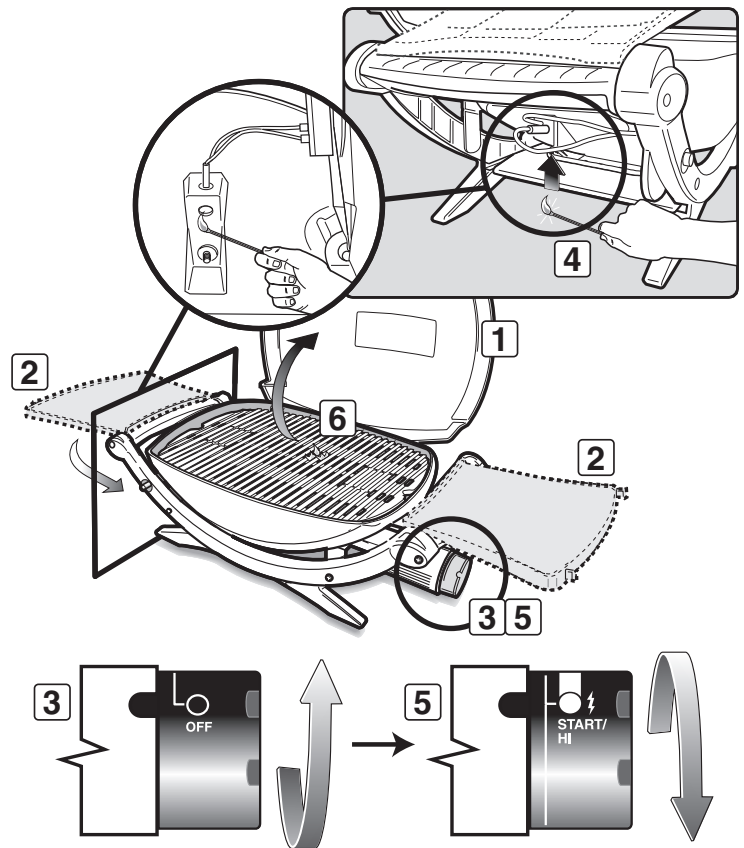
- A) Ouvrez le couvercle (1).
- B) Dépliez les tablettes latérales (2) (Q120, 200, 220).
- C) Assurez-vous que le bouton de commande est en position fermée (OFF) (3).
- D) Frottez une allumette et placez la flamme à l'intérieur du trou pour allumettes au-dessous de l'allumeur (4).

⚠ MISE EN GARDE : Ne vous penchez pas au-dessus du grill ouvert. Maintenez le visage et le corps à au moins un pied de distance par rapport au trou d'allumage avec allumette lorsque vous allumez le grill (4).

- E) Enfoncez le bouton de commande du brûleur puis tournez-le sur START/Hi (5).
- F) Vérifiez que le brûleur est allumé en regardant à travers la grille de cuisson. Vous devriez voir une flamme (6).

⚠ MISE EN GARDE : Si le brûleur ne s'allume pas, positionnez le bouton de commande du brûleur sur ARRET (OFF) puis patientez pendant 5 minutes pour laisser le gaz se dissiper avant d'essayer d'allumer le brûleur avec une allumette.

⚠ ATTENTION : Ne repliez pas les tablettes latérales vers l'intérieur tant que le barbecue n'a pas refroidi (Q120, 200, 220).



⚠ DANGER

Le fait de ne pas ouvrir le couvercle pendant que vous allumez le brûleur du barbecue, ou de ne pas patienter 5 minutes pour laisser le gaz se dissiper si le barbecue ne s'allume pas, peut provoquer un embrasement explosif, qui peut entraîner des blessures graves voire un décès.

POUR ETEINDRE

Enfoncez et tournez le bouton de commande dans le sens des aiguilles d'une montre vers la position d'ARRET (OFF). ♦

CONSEILS & ASTUCES POUR LA GRILLADE

PRECHAUFFAGE DU BARBECUE

Allumez le Weber® Q® en suivant les instructions pour l'allumage de ce mode d'emploi. Fermez le couvercle et tournez le bouton de commande du brûleur vers START/Hi. Préchauffez le grill pendant 10-15 minutes (en fonction de conditions comme la température ambiante et le vent). Une fois que le grill est préchauffé, réglez le bouton de Commande du brûleur au paramètre spécifié dans la recette.

⚠ MISE EN GARDE : Ne déplacez pas le Weber® Q® pendant son fonctionnement ou pendant que le grill est chaud.

Remarque : Le vent et les conditions météorologiques peuvent nécessiter un réglage du bouton de commande du brûleur pour obtenir la température de cuisson correcte.

Si le brûleur s'éteint pendant la cuisson, ouvrez le couvercle, fermez le brûleur, puis patientez cinq minutes avant de rallumer. ♦

CUISSON

Veuillez consulter les recettes du guide de grillade fourni avec ce barbecue.

Un léger revêtement d'huile aidera à dorer vos aliments de façon uniforme et les empêchera d'adhérer à la grille de cuisson. Brossez ou aspergez toujours l'huile sur vos aliments, pas directement sur la grille de cuisson.

Nous vous suggérons d'utiliser le barbecue avec le couvercle fermé. Pourquoi ? Parce que cela réduit le risque d'embrasements, et cuit vos aliments plus rapidement et de manière plus homogène.

Lorsque vous utilisez une marinade, de la sauce ou un glaçage avec une teneur élevée en sucre ou d'autres ingrédients qui brûlent facilement, brossez-les uniquement sur la viande pendant les dernières 10 à 15 minutes de cuisson au barbecue.

N'oubliez pas de broser régulièrement votre grille de cuisson et de nettoyer l'égouttoir au-dessous du barbecue.

Pour plus d'astuces et de recettes sur les barbecues, visitez www.weber.com. ♦

DEPANNAGE

PROBLEME	VERIFIER	SOLUTION
Le brûleur brûle avec une flamme jaune ou orange, associée à une odeur de gaz.	Inspectez la grille anti-araignées/insectes Weber® pour des obstructions éventuelles. (Trous bloqués.	Nettoyez la grille anti araignées/insectes Weber®. Voir "MAINTENANCE ANNUELLE".
Le brûleur ne s'allume pas, ou la flamme est faible en position HI.	Le niveau de combustible dans la bouteille de propane est-il faible ou la bouteille est-elle vide ?	Remplacez la bouteille de propane. Voir "INSTRUCTIONS CONCERNANT LE GAZ".
Le brûleur ne s'allume pas lorsque vous enfoncez le bouton de l'allumeur	Assurez-vous que du gaz circule en direction des brûleurs en tentant d'allumer vos brûleurs avec une allumette. Voir "ALLUMAGE MANUEL.	Si l'allumage avec une allumette réussit, le problème provient du dispositif d'allumage. Voir "MAINTENANCE".
	Une pile neuve est-elle en place ?	Vérifiez que la pile est en bon état et qu'elle a été installée correctement. Voir "AVANT D'UTILISER LE BARBECUE".
	Les câbles sont-ils raccordés correctement au boîtier d'allumage ?	Assurez-vous que les câbles sont correctement insérés dans les terminaux sur le boîtier d'allumage. Voir "MAINTENANCE".
	Y a-t-il un emballage plastique autour de la pile neuve ?	Retirez l'emballage plastique. Ne confondez pas avec l'étiquette de la pile.
	Le tube du brûleur est-il positionné trop loin de l'électrode de l'allumeur ?	Vérifiez que le tube du brûleur est positionné correctement par rapport à l'électrode de l'allumeur. Voir "MAINTENANCE".
En cas d'embrasements : ⚠ ATTENTION : Ne couvrez pas le boîtier de cuisson avec du papier aluminium.	Préchauffez-vous le barbecue selon la méthode recommandée ?	Tous les brûleurs sur HI pendant 10 à 15 minutes pour le préchauffage.
	La grille de cuisson est-elle couverte d'une couche épaisse de graisse carbonisée ?	Nettoyez de manière approfondie. Voir "NETTOYAGE".
	Le boîtier de cuisson est-il sale et empêche-t-il la graisse de s'écouler vers l'égouttoir ?	Nettoyez le boîtier de cuisson. Voir "NETTOYAGE".
L'aspect de la flamme du brûleur est irrégulier. La flamme est faible lorsque le brûleur est réglé sur HI. Les flammes ne brûlent pas sur toute la longueur du tube du brûleur.	Les brûleurs sont-ils propres ?	Nettoyez le brûleur. Voir "MAINTENANCE".
L'intérieur du couvercle semble s'écailler." (Ressemble à des éclats de peinture.)	Le couvercle est en fonte d'aluminium, il n'est pas peint. Il ne peut pas "s'écailler". Ce que vous voyez, c'est de la graisse carbonisée qui se détache en formant des flocons. CE N'EST PAS UN DEFAUT.	Nettoyez de manière approfondie. Voir "NETTOYAGE".
Si les problèmes ne peuvent pas être corrigés en utilisant ces méthodes, veuillez contacter le représentant du Service clientèle de votre région à l'aide des coordonnées à votre disposition sur notre site Internet. Connectez-vous sur www.weber.com .		

NETTOYAGE

⚠ **MISE EN GARDE : Eteignez votre barbecue à gaz Weber® (OFF) et attendez qu'il refroidisse avant de le nettoyer.**

Surfaces externes - Utilisez une solution d'eau savonneuse tiède pour le nettoyage, puis rincez à l'eau.

⚠ **ATTENTION : N'utilisez pas de nettoyant pour four, de produits de nettoyage abrasifs (produits de nettoyage pour la cuisine), de détergents contenant des produits à bas d'agrumes, ou de tampons à récurer abrasifs sur le barbecue.**

Grille de cuisson - Nettoyez à l'aide d'une brosse métallique en acier inoxydable adaptée. Si nécessaire, retirez la grille du barbecue et lavez-la à l'eau savonneuse chaude, ensuite rincez à l'eau.

Pour connaître la disponibilité des grilles de cuisson de rechange, veuillez contacter le représentant du Service clientèle de votre région à l'aide des coordonnées à votre disposition sur notre site Internet. Connectez-vous sur www.weber.com.

Égouttoir - Des plateaux jetables en aluminium sont disponibles, ou vous pouvez recouvrir l'égouttoir avec du papier aluminium. Pour nettoyer l'égouttoir, lavez-le à l'eau savonneuse chaude, ensuite rincez.

Boîtier de cuisson intérieur - Brossez les tubes du brûleur pour éliminer tous les débris. **N'ÉLARGISSEZ PAS LES PORTS DU BRÛLEUR (OUVERTURES).** Lavez l'intérieur du boîtier de cuisson à l'eau savonneuse chaude puis rincez à l'eau.

Intérieur du couvercle - Pendant que le couvercle est chaud, essuyez l'intérieur avec une serviette en papier pour empêcher toute accumulation de graisses. Les flocons de graisse accumulée ressemblent à de la peinture qui s'écaille.

Tablettes latérales (Q120, 200, 220) - Lavez à l'aide d'un chiffon doux et d'une solution d'eau savonneuse.

N'utilisez pas de détergents contenant de l'acide, de l'alcool minéral ou du xylène. Rincez bien après le nettoyage.

Les tablettes latérales (Q120, 200, 220) ne doivent pas être utilisées comme des planches à découper. ♦

NETTOYAGE OU REMPLACEMENT DU TUBE DU BRÛLEUR

Il vous faudra : un tournevis à tête plate.

- Votre barbecue Weber® Q® doit être arrêté (OFF) et refroidi.
- Fermez le gaz (OFF) à la source.
- Ouvrez le couvercle.
- Retirez la grille de cuisson.

Retrait du tube du brûleur

- Retirez la vis de ¼-20 x ½ pouces qui maintient le tube du brûleur contre le boîtier de cuisson (1).
- Faites glisser avec soin le tube du brûleur vers l'extérieur du boîtier de cuisson.

Nettoyage du tube du brûleur

- Regardez à l'intérieur du brûleur à l'aide d'une lampe torche (2).
- Nettoyez l'intérieur du brûleur à l'aide d'un fil de fer (un cintre déplié fonctionnera) (3).
- Vérifiez et nettoyez l'ouverture du clapet à air aux extrémités du brûleur. Vérifiez et nettoyez l'orifice de la valve à la base de la valve. Utilisez une brosse métallique en acier inoxydable pour nettoyer l'extérieur du brûleur. Cette opération permet de s'assurer que tous les ports du brûleur sont complètement ouverts.

⚠ **ATTENTION : N'élargissez pas les ports du brûleur lorsque vous les nettoyez.**

- Tapotez légèrement le brûleur pour faire sortir les débris et la saleté du tube du brûleur. Une fois que la grille anti-araignées/insectes et le brûleur sont propres, remettez en place le brûleur.

Remise en place du tube du brûleur

⚠ **ATTENTION : L'ouverture du brûleur (4) doit être positionnée correctement au-dessus des orifices de la valve (5).**

- Pour remettre en place le brûleur, inversez les étapes E) à F). ♦

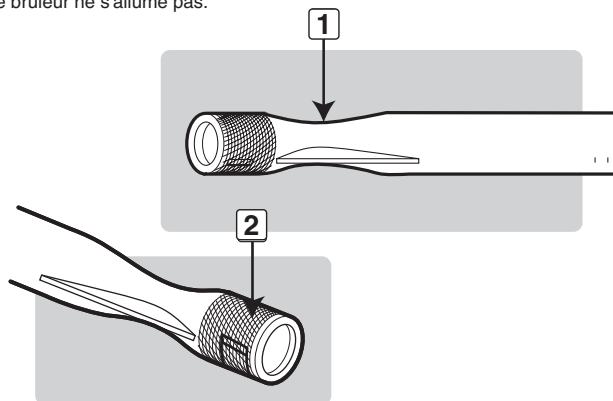
GRILLES ANTI-ARAIGNÉES/INSECTES WEBER®

Votre grill à gaz Weber®, comme tout appareil à gaz d'extérieur, est une cible pour les araignées et les autres insectes. Ils peuvent nicher dans la section venturi (1) du tube du brûleur. Ceci bloque le débit de gaz normal, et cela peut provoquer un reflux du gaz vers l'extérieur du clapet à air. Ceci pourrait entraîner un incendie dans et autour du clapet à air, provoquant de sérieux dégâts pour votre grill.

Le clapet à air du tube du brûleur est équipé d'une grille anti-araignées/insectes en acier inoxydable (2) pour empêcher les araignées et les autres insectes d'accéder au tube du brûleur à travers les ouvertures du clapet à air.

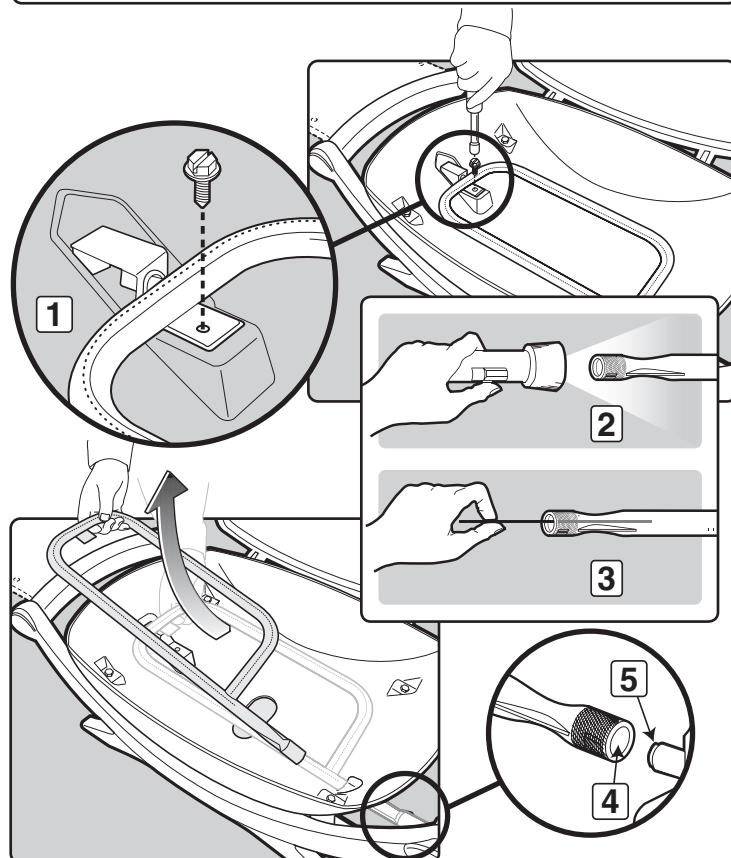
Nous vous recommandons d'inspecter la grille anti-araignées/insectes au moins une fois par an. Voir "MAINTENANCE ANNUELLE". Inspectez et nettoyez également la grille anti-araignées/insectes si l'un des symptômes suivants survient :

- Une odeur de gaz associée à l'aspect jaune et faible des flammes du brûleur.
- Le grill n'atteint pas la température.
- Le grill ne chauffe pas de manière uniforme.
- Le brûleur ne s'allume pas.



⚠ DANGER

Le fait de ne pas corriger les symptômes indiqués ci-dessus risque de provoquer un incendie, susceptible d'entraîner une blessure grave voire un décès ainsi que des dégâts matériels. ♦



UTILISATION DU DISPOSITIF D'ALLUMAGE PAR BOUTON-POUSSOIR

Si le Dispositif d'allumage par bouton-poussoir (une fonctionnalité sur certains de nos barbecues) ne parvient pas à allumer le brûleur, assurez-vous de la présence d'un débit de gaz en tentant d'allumer vos brûleurs à l'aide d'une allumette. Voir "ALLUMAGE MANUEL". Si l'allumage avec une allumette réussit, le problème provient du dispositif d'allumage.

⚠ MISE EN GARDE : La totalité des commandes de gaz et des valves d'alimentation devrait être en position fermée (OFF).

- Vérifiez que les câbles d'allumage blanc (1) et noir (2) sont correctement fixés.
- Vérifiez que le bouton d'allumage s'enfonce, émet un dé clic et revient en position sortie.

Si le dispositif d'allumage ne parvient pas à allumer le brûleur, veuillez contacter le représentant du Service clientèle de votre région à l'aide des coordonnées à votre disposition sur notre site Internet. Connectez-vous sur www.weber.com. ♦

UTILISATION DU DISPOSITIF D'ALLUMAGE ELECTRONIQUE

Si le dispositif d'allumage électronique (une fonctionnalité sur certains de nos barbecues) ne parvient pas à allumer le brûleur, assurez-vous de la présence d'un débit de gaz en tenant d'allumer les brûleurs à l'aide d'une allumette. Voir "ALLUMAGE MANUEL". Si l'allumage à l'aide d'une allumette réussit, le problème provient du Dispositif d'allumage électronique.

⚠ MISE EN GARDE : La totalité des commandes de gaz et des valves d'alimentation devrait être en position fermée (OFF).

- Vérifiez que les deux câbles d'allumage sont correctement fixés aux électrodes de l'allumeur sur le module d'allumage. Câble noir sur l'électrode (1), câble blanc sur l'électrode (2).
- Vérifiez que la pile AAA (alcaline uniquement) est en bon état et correctement installée. Certaines piles sont protégées par un emballage plastique. Ce plastique doit être retiré. Ne confondez pas ce plastique avec l'étiquette de la pile.
- Assurez-vous que le bouton d'allumage électronique fonctionne en écoutant et en détectant visuellement les étincelles au niveau du brûleur.

Si le Dispositif d'allumage électronique est toujours défaillant, veuillez contacter le représentant du Service clientèle de votre région à l'aide des coordonnées à votre disposition sur notre site Internet. Connectez-vous sur www.weber.com. ♦

MAINTENANCE ANNUELLE

Inspection et nettoyage de la grille anti-araignées/insectes

S'il y a de la poussière ou des impuretés sur la grille anti-araignées/insectes, retirez le brûleur pour nettoyer la grille. Voir "NETTOYAGE OU REMPLACEMENT DU TUBE DU BRULEUR".

Brossez la grille anti-araignées/insectes, doucement, à l'aide d'une brosse souple (par exemple une vieille brosse à dents).

⚠ ATTENTION : Ne nettoyez pas la grille anti-araignées/insectes à l'aide d'un ustensile dur ou aiguisé. Ne déplacez pas la grille anti-araignées/insectes ou n'élargissez pas les ouvertures de la grille.

Tapotez légèrement le brûleur pour faire sortir les débris et les impuretés du tube du brûleur. Une fois que la grille anti-araignées/insectes est propre, remettez le brûleur en place.

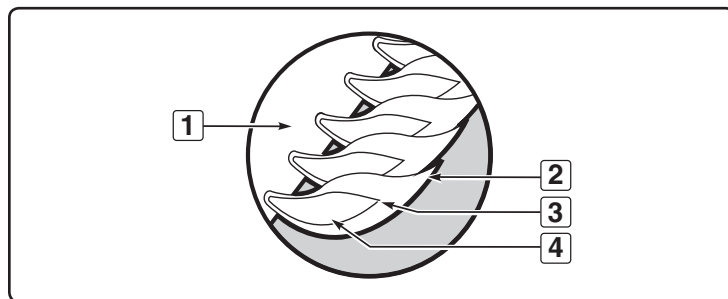
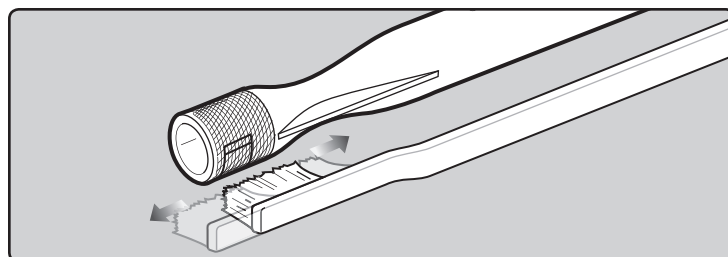
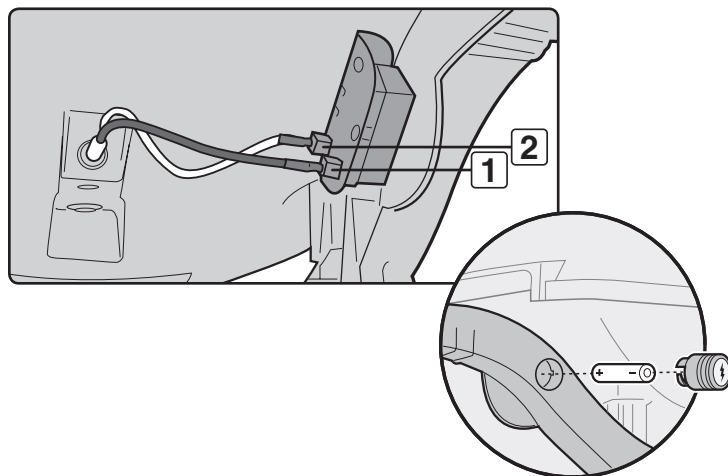
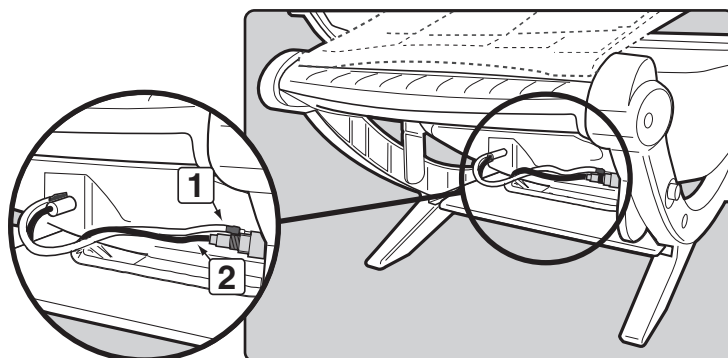
Si la grille anti-araignées/insectes est détériorée ou si elle ne peut pas être nettoyée, veuillez contacter le représentant du Service clientèle de votre région à l'aide des coordonnées à votre disposition sur notre site Internet. Connectez-vous sur www.weber.com.

Aspect de la flamme du brûleur principal

Le brûleur du barbecue à gaz Weber® a été réglé en usine pour le mélange correct d'air et de gaz. L'aspect correct de la flamme est représenté.

- Tube du brûleur (1)
- Les extrémités vacillent occasionnellement en jaune (2)
- Bleu clair (3)
- Bleu foncé (4)

Si les flammes ne semblent pas uniformes à travers le tube du brûleur, suivez les procédures de nettoyage du brûleur. ♦



⚠ ATTENTION: This product has been safety tested and is only certified for use in a specific country. Refer to country designation located on outer carton.

These parts may be gas carrying or gas burning components. Please contact Weber-Stephen Products LLC, Customer Service Department for genuine Weber-Stephen Products LLC replacement part(s) information.

⚠ WARNING: Do not attempt to make any repair to gas carrying, gas burning, igniter components or structural components without contacting Weber-Stephen Products LLC, Customer Service Department. Your actions, if you fail to follow this Product Warning, may cause a fire, an explosion, or structural failure resulting in serious personal injury or death as well as damage to property.

⚠ ATENCIÓN: A este producto se le han realizado pruebas de seguridad y ha sido certificado para usarse en un país específico. Refiérase al país indicado en la parte externa del cartón de empaque.

Estas partes pueden ser componentes que transporten gas o lo quemen. Por favor póngase en contacto con el Departamento de Atención al Cliente de Weber-Stephen Products LLC para obtener información sobre las partes de repuesto Weber-Stephen Products LLC genuinas.

⚠ ADVERTENCIA: No trate de realizar reparación alguna a los componentes que transporten o quemen gas sin antes ponerse en contacto con el Departamento de Atención al Cliente de Weber-Stephen Products LLC. Si no llegase a acatar esta advertencia, sus acciones podrían causar un fuego o una explosión que resulte en lesiones personales serias o la muerte o daños a la propiedad.

⚠ ATTENTION : Ce produit a fait l'objet de tests de sécurité et est certifié pour une utilisation dans un pays particulier uniquement. Vérifiez la désignation de pays située sur le carton d'emballage.

Ces pièces peuvent contenir du gaz ou être des éléments dont la combustion produit du gaz. Veuillez consulter le Service clientèle de Weber-Stephen Products LLC pour des renseignements sur les pièces de rechange originales de Weber-Stephen Products LLC.

⚠ MISE EN GARDE : Ne tentez pas d'effectuer des réparations sur des éléments contenant du gaz ou sur des éléments dont la combustion produit du gaz sans contacter le service clientèle de Weber-Stephen Products LLC. Si vous ne suivez pas la présente Mise en garde relative au produit, vos actions risquent de provoquer un incendie ou une explosion entraînant des blessures physiques graves voire un décès ainsi que des dégâts matériels.



WEBER-STEPHEN PRODUCTS LLC

www.weber.com[®]

© 2011 Designed and engineered by Weber-Stephen Products LLC,
a Delaware limited liability company, located at 200 East Daniels Road, Palatine, Illinois 60067 U.S.A.
Printed in U.S.A.

© 2011 Diseñado por Weber-Stephen Products LLC,
una empresa de responsabilidad limitada de Delaware, ubicada en 200 East Daniels Road, Palatine, Illinois 60067 EE.UU.
Impreso en los EE.UU.

© 2011 Elaboré et conçu par Weber-Stephen Products LLC,
société à responsabilité limitée du Delaware, implantée au 200 East Daniels Road, Palatine, Illinois 60067 U.S.A.
Imprimé aux U.S.A.