

QUICK START GUIDE

Graphics shown below are for illustrative purposes only.

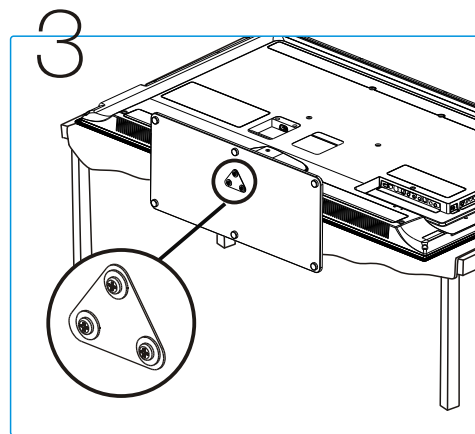
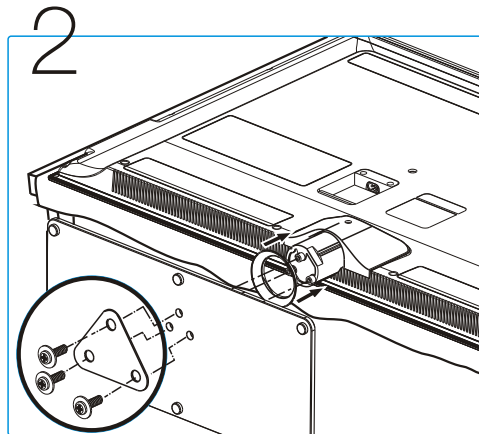
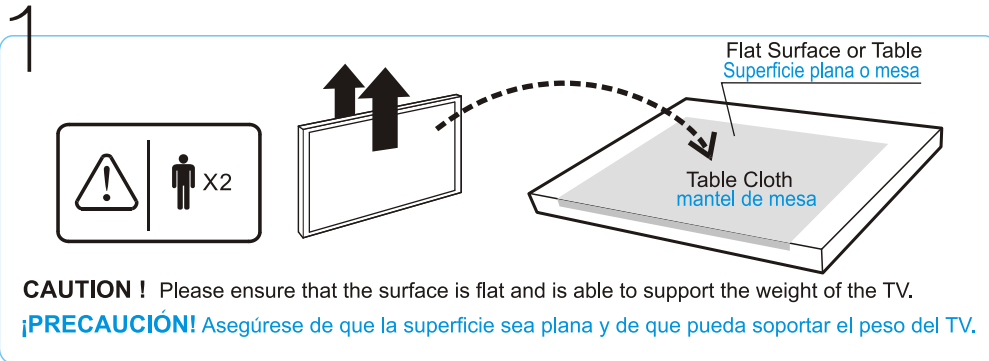
TCL

The Creative Life

Need assistance?
visit our website at www.tclusa.com
or call 1-877-300-8837

Installing the table stand Instalación de la base de mesa

If you do not want to mount the TV to the wall, install the table stand to the TV as follows:
Si no desea montar el televisor en la pared, instale la base de mesa en el televisor de la manera siguiente:



REMINDER:

Please keep the original carton box and packaging in order to protect the TV if moved or stored.

RECORDATORIO:

Conserve la caja de cartón y el material de embalaje originales para proteger el televisor al moverlo o almacenarlo.

Connection & Setup Conexión y configuración

1 **Antenna/cable connection**
Conexión de la antena y el cable

Outdoor or Indoor Antenna
Antena exterior o interior

or

ANTENNA/
CABLE/SAT IN

or

Cable Box,
Satellite
Receiver,
or Wall Outlet

or

RF Coaxial Wire
(75 ohm)

HDMI connection as an
alternative to cable input
**La conexión HDMI es una
alternativa a la entrada de cable**

2 **Power connection**
**Conexión de la
alimentación**

3 **Turn on the TV**
Encienda el TV

4 **Initial Setup**
Configuración inicial

Initial Setup Welcome
Welcome to use the Wizard for Initial Setup!!
Please press [OK] to start the wizard.

Initial Setup Language
Please select your language:
English
Español

Initial Setup TV Location
Please select your TV Location:
Home
Retail

Initial Setup Time Zone
Please select your time zone:
Eastern
Central
Mountain
Pacific
Alaska
Hawaii

Initial Setup Tuner
Please select your tuner mode:
Antenna
Cable/Sat

Initial Setup Channel Scan
First, please connect Cable/Sat or Antenna. Scan now? If you skip this step,
the Channel Scan could be performed in Setup menu later.
Scan
Skip Scan

◀ Back Select ▶ Next CANCEL Exit

External Component Connection Conexión de componentes externos

