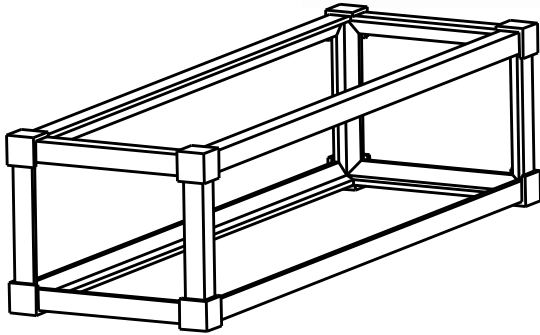


SHERLE



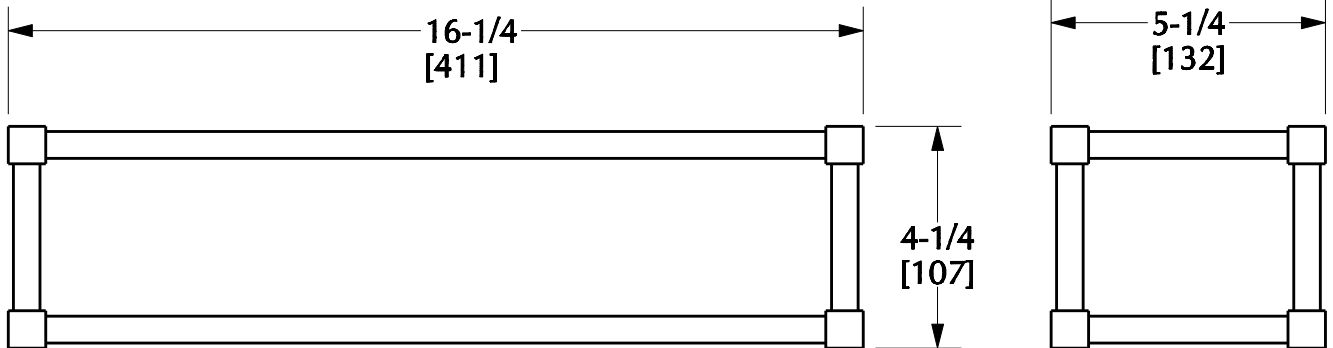
WAGNER
INTERNATIONAL



Product Features

- Available in all Sherle Wagner finishes
- Solid brass construction
- Bulb type: (E25) Max. 60W
- Compatible with ANSI/UL standards
- Includes mounting hardware

SQUARE KNUCKLE FROSTED GLASS PANEL LIGHT | 7114FG-16



Rev A