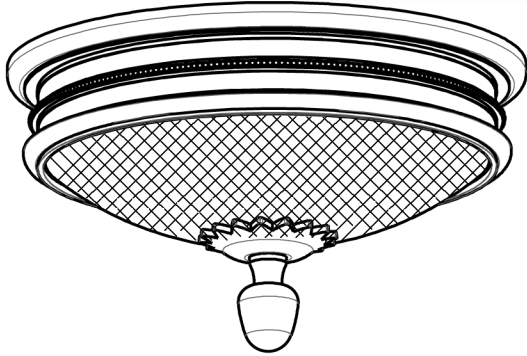


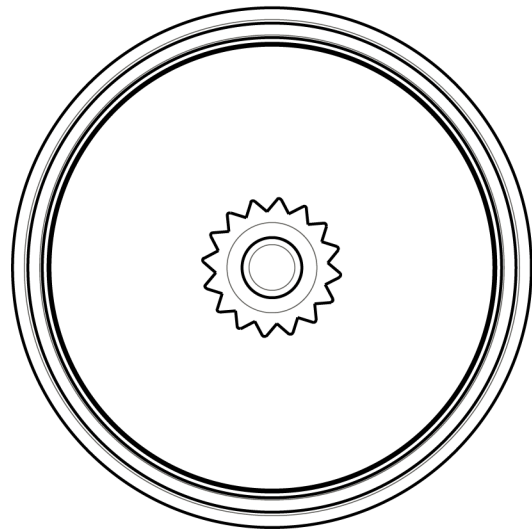
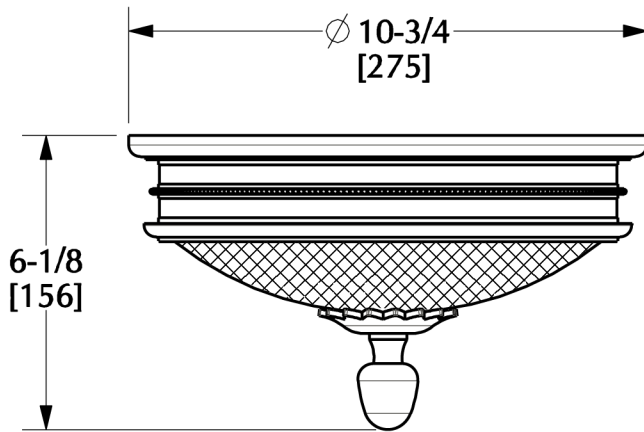
SHERLE WAGNER



Product Features

- Available in all Sherle Wagner finishes
- Bulb type: 2x (E25) Max. 60W
- Solid brass/bronze construction
- Compatible with ANSI/UL standard
- Includes mounting hardware

KNURLED CEILING LIGHT | 7132



Rev A