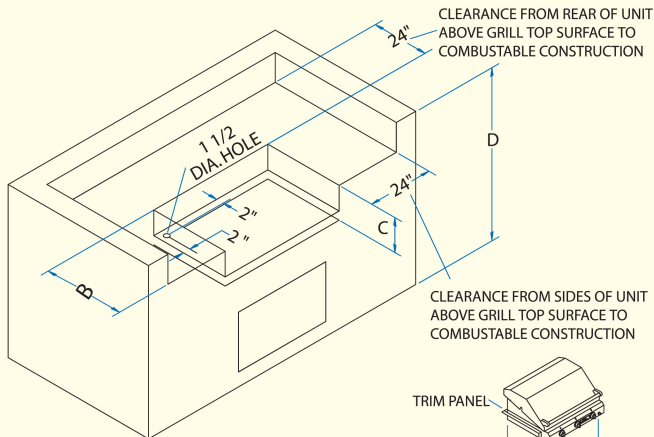


Sterling II, Sterling III & Sterling IV FR Build-In Specifications

ALL BUILD-IN DIMENSIONS BELOW FACTOR IN USE WITH THE CORRECT TEC MOUNTING TRIM KIT FOR TOP MOUNT INSTALLATIONS. IT IS NOT RECOMMENDED TO BUILD IN A TEC STERLING FR SERIES GRILL WITHOUT ONE. IF YOU CHOOSE TO NOT USE THE MOUNTING TRIM KIT FOR BOTTOM MOUNT INSTALLATIONS, IT IS RECOMMENDED TO PURCHASE YOUR GRILL FIRST AND HAVE IT ON SITE (to measure exactly) BEFORE PREPARING YOUR CUTOUT.



DESCRIPTION OF MEASUREMENT	STERLING II FR	STERLING III FR	STERLING IV FR
A HORIZONTAL WIDTH OF OPENING	25 3/4"(65.5 CM)	35 1/4"(89.5 CM)	44 3/4"(113.7 CM)
B HORIZONTAL DEPTH OF OPENING	22 1/16"(56.1 CM)	22 1/16"(56.1 CM)	22 1/16"(56.1 CM)
C VERTICAL DEPTH OF OPENING	8"(20.32 CM)	8"(20.32 CM)	8"(20.32 CM)
D VERTICAL DEPTH OF OPENING	34 1/4"(87.0 CM)	34 1/4"(87.0 CM)	34 1/4"(87.0 CM)

Minimum clearance from sides and back of unit to combustible construction below top of unit: 0" from sides and 0" from back.

Minimum clearance from sides and back of unit to vertical combustible construction extending above top of unit: 24" from sides and 24" from back.

DO NOT USE THIS GAS APPLIANCE UNDER OVERHEAD COMBUSTIBLE CONSTRUCTION.

5" WIDE AREA UNDER FACE PANEL MUST REMAIN UNOBSTRUCTED FOR VENTILATION.

