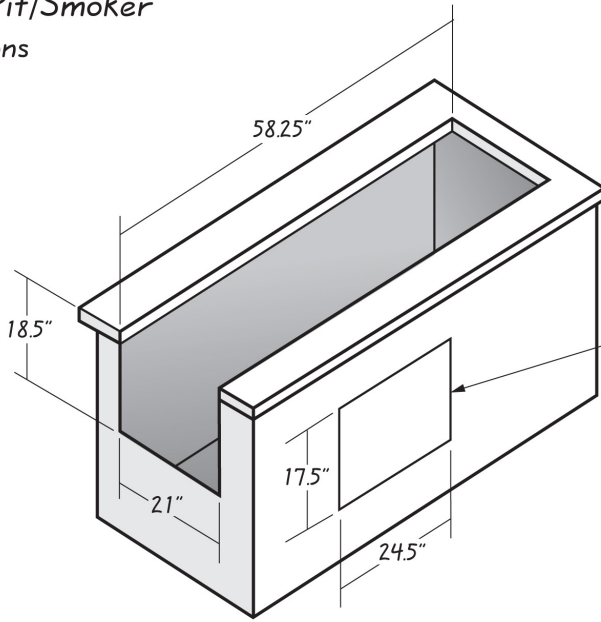


PM 500 U & PM 500 S U  
 Built-In BBQ Pit/Smoker  
 Cut-Out Dimensions



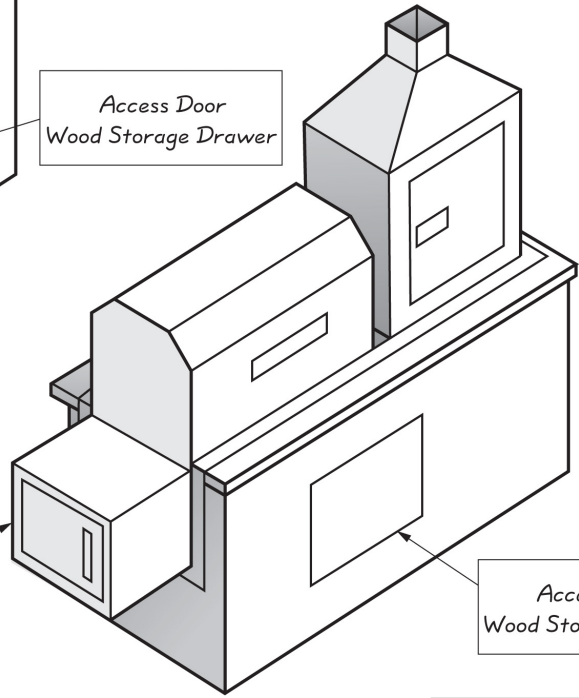
Access Door  
 Wood Storage Drawer

If Back splash or wall is located behind unit, a minimum of 11" clearance is required

Allow 3" around cut-outs for supporting trim

**WARNING: Island and structures should always be constructed of noncombustable materials with adequate ventilation**

Drop-In Pit  
 Fire Box



Access Door  
 Wood Storage Drawer

Allow 3" around each component for trim