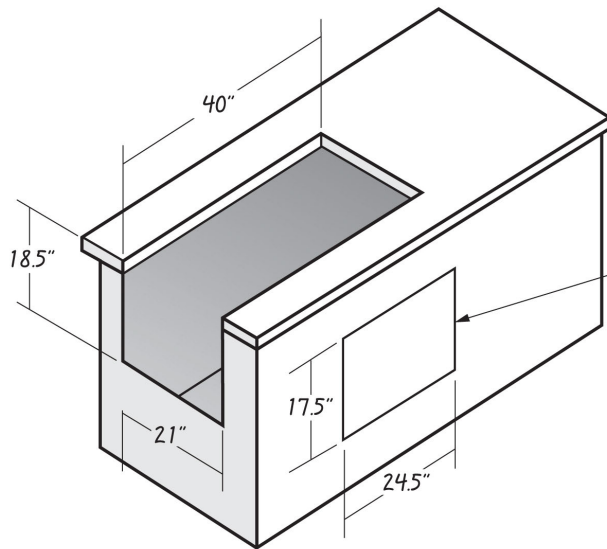
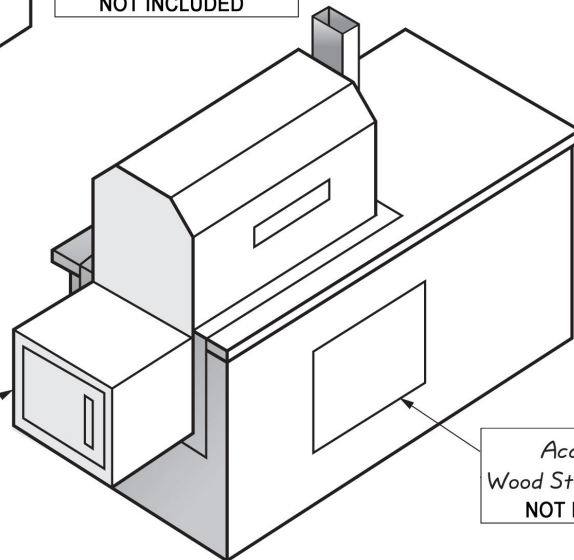


PM 500 & PM 500 S  
Built-In BBQ Pit/Smoker  
Cut-Out Dimensions



Access Door  
Wood Storage Drawer  
NOT INCLUDED



If Back splash or wall is located  
behind unit, a minimum of  
11" clearance is required

Allow 3" around cut-outs  
for supporting trim

**WARNING: Island and structures  
should always be constructed of  
noncombustable materials with  
adequate ventilation**

Allow 3" around each  
component for trim