

26" ELITE SERIES GRILL



Product Shown: E26BQ with optional cart



Feature Shown: Drip tray designed to make clean up fast and easy so you can spend more time with your guests.



Feature Shown: Large Non-Stick Porcelain coated grates for grilling your favorite surf and turf combo.



Feature Shown: Ergonomically designed stay cool handle allows for safe opening and closing of grill lid.

Product Features

- (2) 17,000 BTU Stainless Steel burners
- Stainless Steel W radiants
- 9-Volt Battery Ignition
- Heavy duty Non stick Porcelain Enameled Grill Grates
- Stainless Steel easy slide drip pan
- Balanced grill lid
- **470** square inches of grilling area

Optional Cart Features

- 3 Sided stainless steel cart
- Rear opening for LP tank and storage
- (2) Stationary Casters and (2) rotating casters (1 locking)
- Large 18.75" X 14" fixed side shelf
- Cart shipped non assembled (approx. 20 min. assembly time)

Models Available

- E26BQL - ELITE 26" BQ - LP
- E26BQN - ELITE 26" BQ - NAT

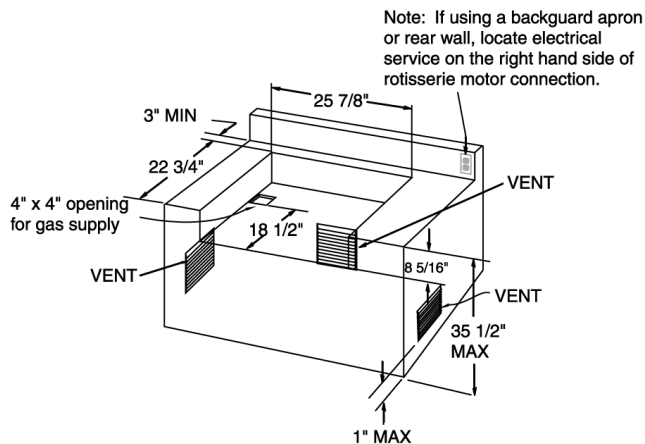
Recommended Accessories

- Stainless Steel Grill Cart (E26C)
- Optional Warming rack (E26WR)
- Heavy Duty vinyl cover
- Removable Maple cutting boards (EMCB)
- Removable Corian cutting boards (ECCB)
- Rotis kit (E26RK)
- Drop-on Stainless Steel Griddle Plate (EGP)
- Additional side shelf (E26SK)
- Double Side Burner Cart Mount (E15SB)
- Built-In Double Side Burner (E15SB-BI)
- Built-In Infrared Sear Side Burner (E15IRB-BI)
- **Grill head shipping weight is 130 LBS**
- **Cart shipping weight is 50 LBS**

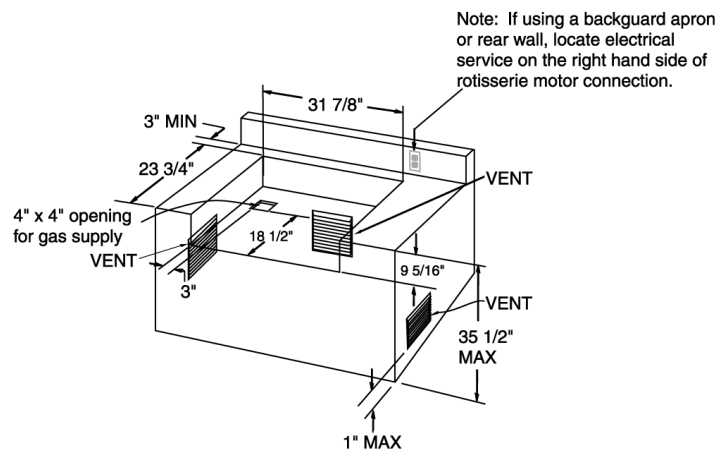


SPECIFICATIONS FOR OCIE26BQ

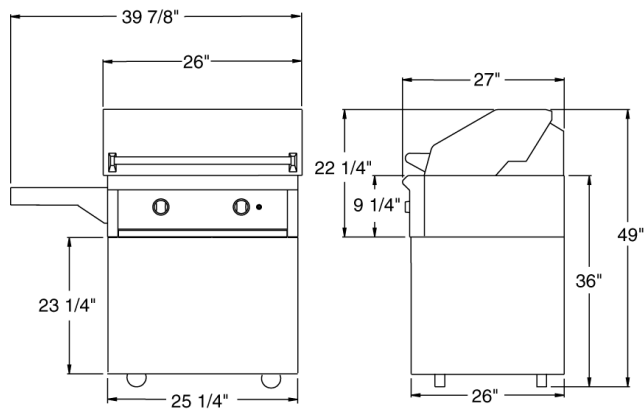
STANDARD CUTOUT DIMENSIONS FOR NON-COMBUSTIBLE ENCLOSURE:



INSULATED JACKET CUTOUT DIMENSIONS FOR COMBUSTIBLE ENCLOSURE:



Dimensions for OCIE26BQ with optional cart (OCIE26C)



OCI manufactures a complete line of stainless steel grills and accessories to enhance your outdoor kitchen. We have worked with world class chefs to design the most efficient, ergonomic, products for your entertaining needs. We offer a complete line of outdoor stainless steel grills to fit anyone's culinary appetite. Our grills range in sizes from our portable table top 19" unit to a 48" grill suitable for large entertaining. The 36" and 48" products are both manufactured with the gourmet cook in mind. We offer both our 36" & 48" grills with an adjustable low to high sear zone section for searing your favorite meat. The rotis motor will hold up to 50 pounds and incorporates a 50-watt halogen light for evening cooking. The grates are all made of thick 3/8" stainless steel. For those customers that would like to have the added benefit of portability we offer a complete line of grill carts that accommodate all sizes of our *OCI* grills.



Warranty

All grills are covered by a (1) year comprehensive parts and labor warranty. In addition, a five (5) year limited parts warranty covers specific parts that vary by model. Please see the product Use and Care Manual for the specified parts covered under this warranty. A lifetime warranty covers all stainless steel components against manufacturer related defects. This excludes discoloration or surface corrosion resulting from improper use and care as well as normal use discoloration. Please refer to product use and care manual for proper care and maintenance.

*Because of continuing product improvement these specifications are subject to change without notice.

For more information on our complete line of outdoor products or to find out where to get them, please call 1.714.903.1885 or visit www.ociproducts.com