

Mountings

Built-in Mounting Assembly Instructions (NMS-GS, NMS2-GS Enclosure Sleeve and NMS-DS Door Set)

- The WNK or TJK model grills may be mounted as a built-in with the NMS-GS enclosure sleeve.
- The WRG4, WHRG4, TRG2 and THRG2 requires the NMS2-GS enclosure sleeve.
- For use with natural or hard-plumbed propane gas.
- Do not place or store a spare LP gas cylinder under or near the grill.
- Enclosure must be constructed from non combustible materials and with adequate ventilation.
- The Built-In kit and grill head connection will be assembled upside down.
- Refer to appropriate section for grill head assembly.

Please check to be sure that all parts are included before proceeding. Contact your dealer if any parts are missing.

Parts	Quantity
GRILL HEAD ENCLOSURE SLEEVE	
Front Face Plate for NMS (26" W x 11"H x 1 1/2" D)	1
Right Side "L" Bracket 19" x 11"	1
Left Side "L" Bracket 19" x 11"	1
Rear Support Bracket 26 1/8" long	1
Grease Tray	1
Heat Shield	1
Hardware Kit	
1/4 - 20 x 3/4" Hex Its	12 1/4
20x1 1/4 "H ex Bolts	4
1/4" Nuts	4
1/4" Flat Washers	4
1/4" Lock Washers	16
NMS-DS DOOR SET	
Frame for Door Set	1
Left Hand Door	1
Right Hand Door	1
Magnetic Catches	2
Door Handles	2

Important Notes:

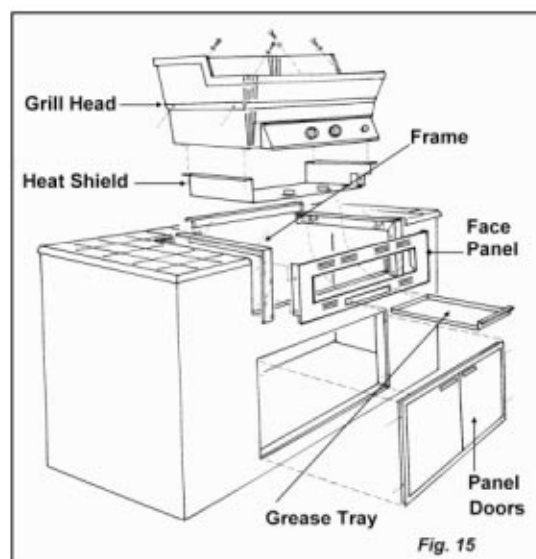
Your structure should have a 3" to 4" concrete base on a sand footing.

The panel doors must have a 4" to 6" minimum elevation from the ground.

If your structure includes a back splash, allow 11" to the back edge of grill opening to allow the lid to open completely.

Combustible material should never be within 18 inches of the bottom, back or sides of your Grill.

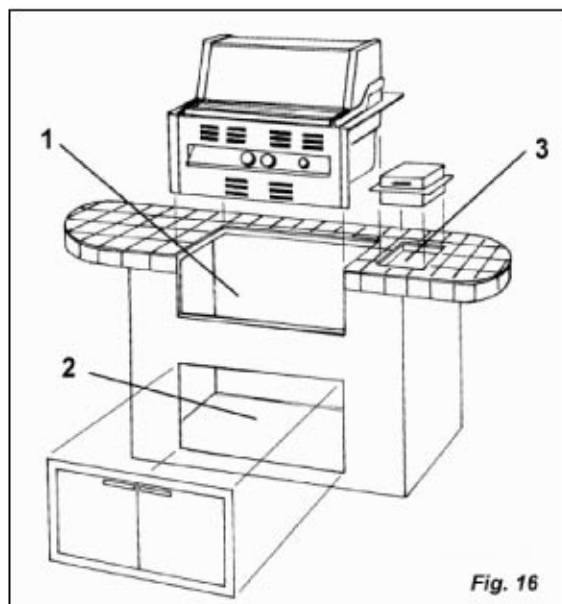
Complete View Of Built-In



Step 1: Required Dimensions For Built-In (Fig. 16)

1. The grill head fits into an opening of 27 1/2" wide by 11" high by 18" deep.
2. The Panel doors fit into an opening of 27 1/4" wide by 16 3/4" tall.
3. The side burner fits a surface opening of 10 1/4" wide by 11 1/4" front to back. It should be at least 5" away from the grill opening.

(The front face flanges on the mounting and the panel doors overlap the required opening surfaces by 1 5/8" and provide a clean look.)



Mountings

Step 2: Built-In Mounting Assembly

IMPORTANT: Since the mounting is attached directly to the grill, you must first partially assemble your grill by attaching the control panel to the grill head (refer to the appropriate grill section for a assembly instructions).

Then the built-in mounting heat shield must be attached to the bottom of the grill head using four 1/4-20 x 3/4" bolts, see *fig. 14* "Complete View" illustration.

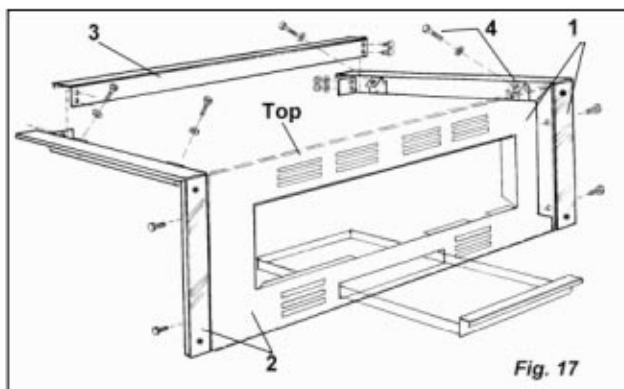
Do not forget to remove the protective film from all stainless steel parts of your built-in mount.

To assemble the built-in frame (*Fig. 17*)

1. Align the holes of the right hand "L" bracket with the face panel (the face panel's 12 vent slots should be on the top) and insert two 1/4 - 20 x 3/4" Hex bolts and fasten with flat washer, lock washer and nut, do not tighten at this time. When properly connected the grill support tabs on the "L" bracket should be facing up and inward.
2. Repeat procedure to connect the left hand "L" bracket.
3. Attach the rear bracket to both the right and left "L" brackets using two 1/4 - 20 x 3/4" Hex bolts at each end. Secure bolts with a flat washer, lock washer and nut.
4. Attach the frame to the bottom grill head by aligning the frame support tabs with the grill head bottom holes. Insert the 1/4- 20 x 1 1/4" Hex bolt from inside the grill head and screw it into the threaded frame support tab.

To connect the full assembly to the enclosure.

5. Slide the grill head into the opening 3/4 of the way in. Connect the gas supply using an approved outdoor connector.
Check for gas leaks. (See Gas Leaks page 23.)



Note: Be certain that the gas pressure is between 6.5" and 7.5" water column. Excess gas pressure can cause warping and damage to grill head.

6. When finished connecting gas supply, slide grill all the way into to opening so that the "L" bracket face flanges fit snugly to your enclosure face. Drill a hole in the masonry to match up with the "L" bracket face flange holes and fasten with lag bolts (not supplied).

Do not build a shelf below the bottom of the grill. The grill requires an open area for proper ventilation and service access.

7. Install the pre-assembled door kit by securing with a suitable fastening method. (Anchors and/or screws not included.)

When you complete the mount assembly go to the appropriate Grill Assembly Section and finish assembling the grill head.