

HASTY-BAKE® MODELS 131 & 132



131 (POWDER-COATED FINISH)



132 (STAINLESS STEEL)

“*Hasty-Bake Oven:
This ‘Cadillac’ of outdoor
ovens is well worth the
investment.*”

THE KANSAS CITY BARBECUE
SOCIETY COOKBOOK

THE ORIGINAL HASTY-BAKE DESIGN AND OUR MOST POPULAR MODEL, THE LEGACY IS THE PERFECT SIZE FOR LARGER FAMILIES OR ANYONE WHO TRULY ENJOYS ENTERTAINING. THIS CROWD PLEASER OFFERS ALL OF THE STANDARD HASTY-BAKE FEATURES, OVERSIZED DIRECT COOKING SPACE WITH ROOM TO COOK BURGERS FOR THE WHOLE BALL TEAM. THERE IS ALSO AMPLE ROOM TO SMOKE A HAM AND A TURKEY – AT THE SAME TIME! THIS HASTY-BAKE CHARCOAL OVEN IS HANDCRAFTED WITH ONLY THE FINEST MATERIALS AVAILABLE.

SPECIFICATIONS FOR ALL LEGACY MODELS

- SURFACE COOKING SPACE: 523 square inches
- BASE DIMENSIONS: 30"W x 21"D x 42"H
- WEIGHT: 163 lbs.

MODEL 131 SPECIFICATIONS (DUAL FINISH)

- MATERIALS: Stainless steel front work table
Heavy 1/4" dia. nickel-plated cooking grills
18 gauge powder-coated hood and base
18 and 12 gauge galvanized lift and fire box
- WARRANTY: 5 year parts/workmanship
1 year finish

MODEL 132 SPECIFICATIONS (STAINLESS STEEL)

- MATERIALS: Stainless steel front and side work tables
Heavy 1/4" dia. stainless steel cooking grills
18 gauge polished 304 stainless steel hood and base
18 and 12 gauge stainless steel lift and fire box
- WARRANTY: 10 year parts/workmanship

HASTY-BAKE®

LEGACY

LEGACY INSTALLATION INSTRUCTIONS AND RECOMMENDATIONS

LOCATION:

- Locate the Legacy grill only in a well-ventilated area.
- Never locate the grill in a building, garage, breezeway, shed or other such enclosed area without an approved ventilation system.
- The grill is not to be located under any overhead unprotected combustible construction.
- The grill may be placed adjacent to non-combustible construction.

CLEARANCES:

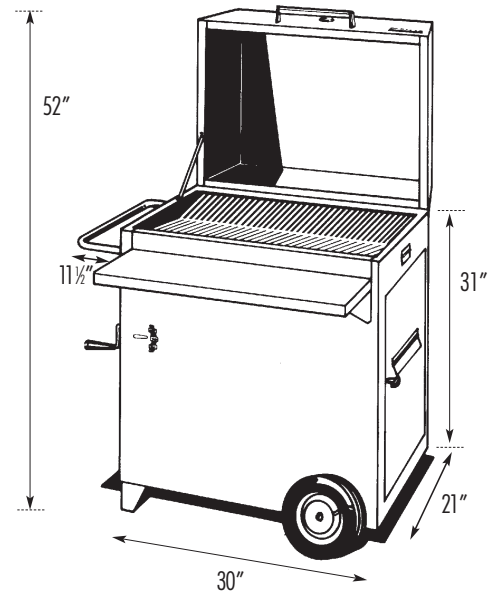
- A minimum of 19" is required above the top of unit to open and close the lid.

RECOMMENDED ACCESSORIES:

- Legacy Cover
- Large Hasty-Bake Rotisserie Kit
- Large Hasty-Bake Baster Pan
- Hasty-Bake Grill Brush
- Hasty-Bake Hardwood Charcoal
- Hasty-Bake Firestarter
- Firelighters
- Hasty-Bake Grilling Towel
- Hasty-Bake Cutting Board
- Hasty-Bake Grill Lifter

Don't Forget the Hasty-Bake Seasonings:

- Hasty-Bake BBQ Sauce
- Gourmet Greek
- Lemon Pepper and
- Award-winning Rub N' Spice



Total Height: 42"
Total Height with Hood Open: 52"
Total Width: 30"
Front Table: 9"x28"

HASTY-BAKE®

P.O. Box 4609 Tulsa, OK 74159
(918) 665-8220 or 1-800-4AN OVEN (1-800-426-6836)
Fax: (918) 665-8225
www.hastybake.com © Hasty-Bake, 2007