

Specifications

Power Base

Motor 600 watt

Motor speed settings:

1. 7000 RPM
2. 9000 RPM
3. 14000 RPM
4. 16000RPM
5. 18000 RPM

Pulse 18000 RPM

Weight 9.8 lbs

Height 7 ¼"

Width 4 9/16"

Depth 10"

Blender

Height 11"

Width 7"

Weight (stainless steel jar) 2.4 lbs
(glass jar) 4.6 lbs

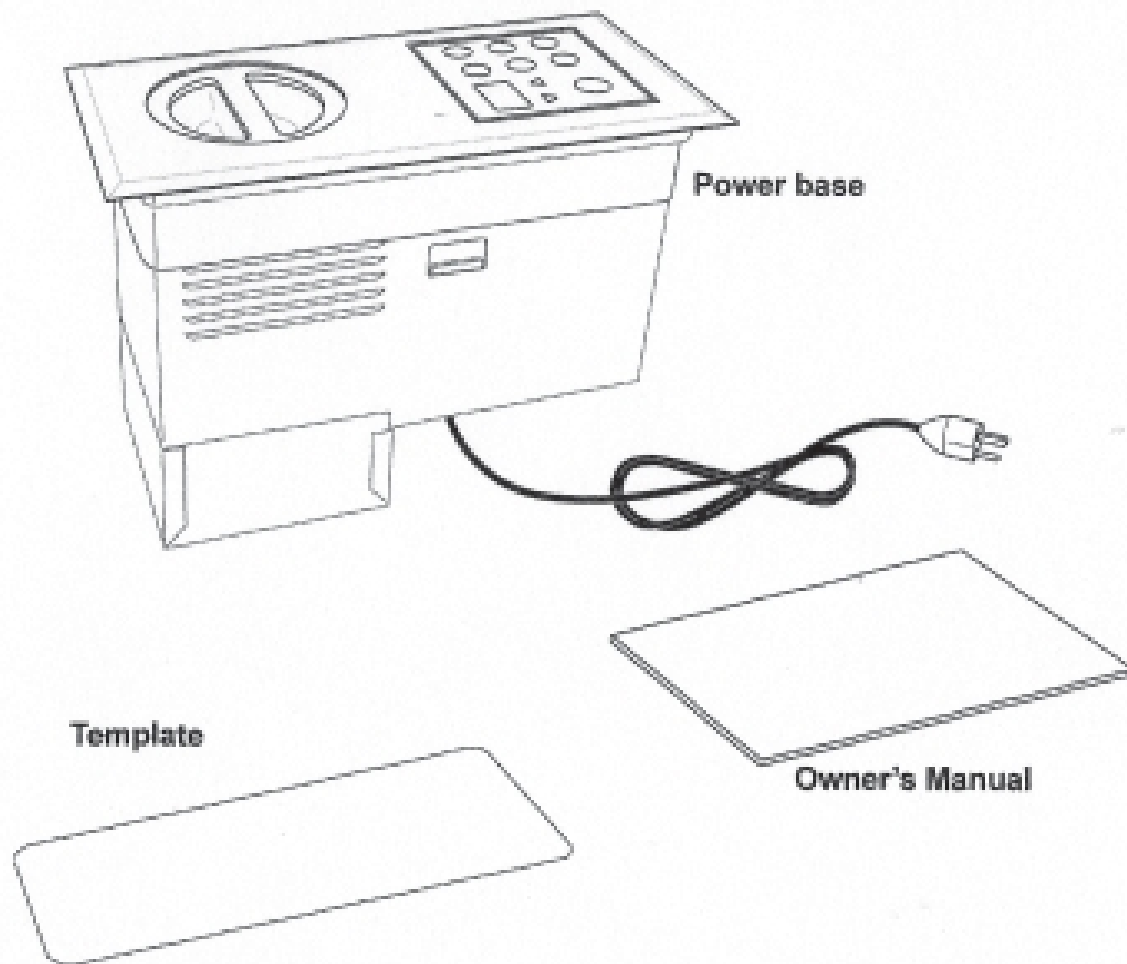
Capacity 6 cups



Unpacking and Setup

Items you should receive

When you receive your Kitchen Center, unpack it and check that the items shown below are included.



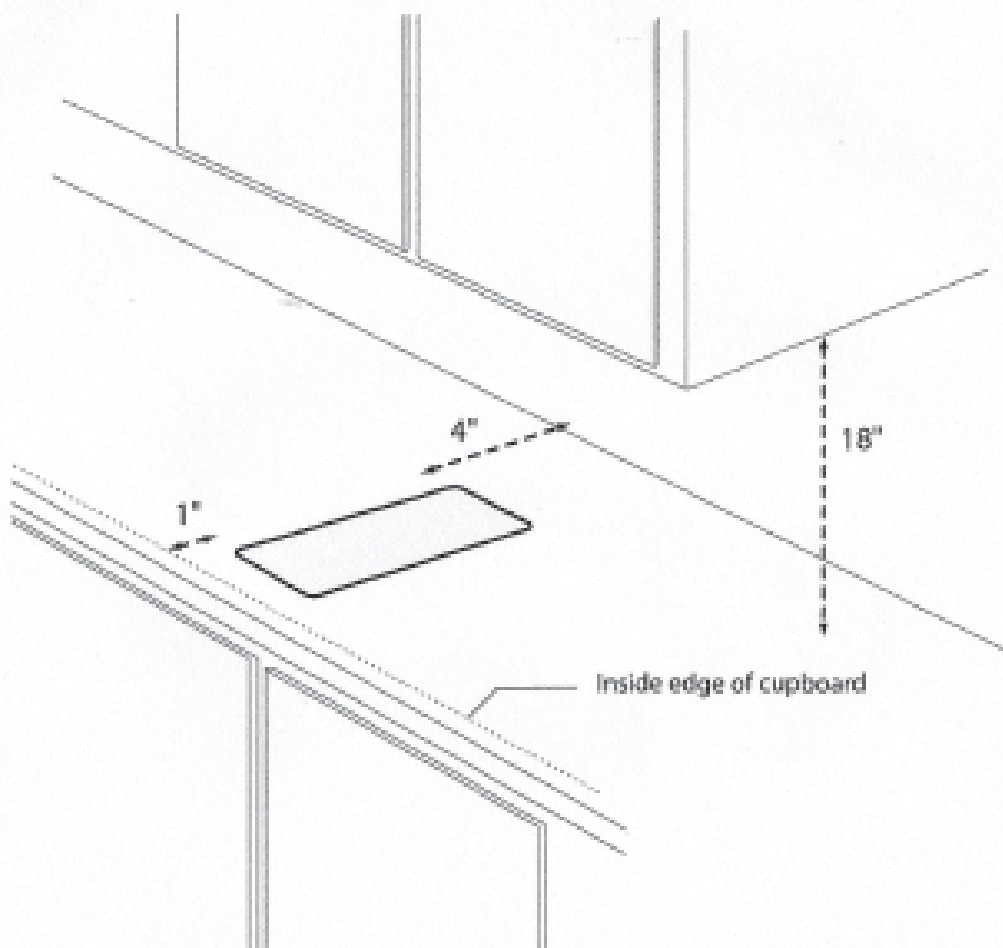
Tools and supplies required for installation

- Kitchen Center power base
- Template
- Installation instructions
- Suitable cutting tool
- Carpenters pencil

Installation

Positioning the template

Position the template as shown below and draw a line around it.



- At least 1" back from the inside edge of the base cabinet beneath the countertop
- Keep at least 4" from any adjacent walls
- Allow at least 18" clearance between the countertop and any overhanging cabinets
- Allow for a minimum depth of 8.0" beneath the bottom of the counter to accommodate the power base

Note

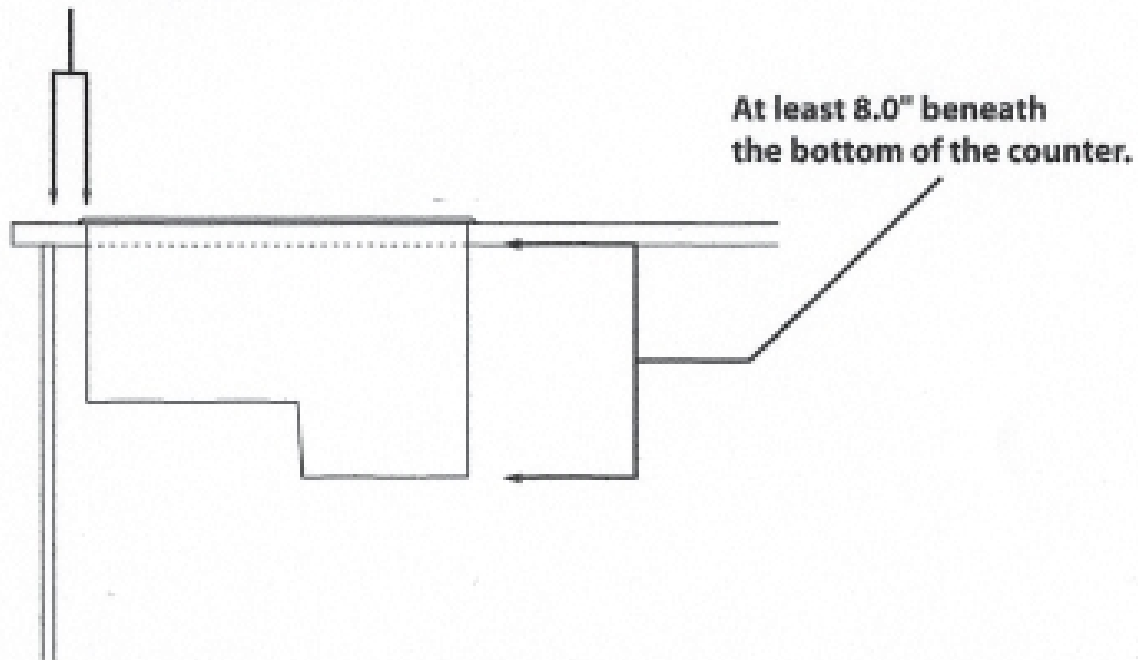
A 15A125V AC outlet must be pre-wired beneath the chosen location prior to installation.

CAUTION

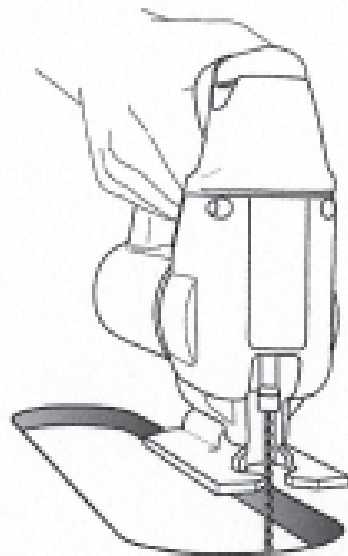
All electrical wiring must comply with local electrical codes.

Making the cut

At least 1" from the
inside edge of cabinet



Drill a pilot hole if necessary then, using a suitable cutting tool, cut along the inside edge of the template line. Your choice of tool should be dictated by the material of your counter top.



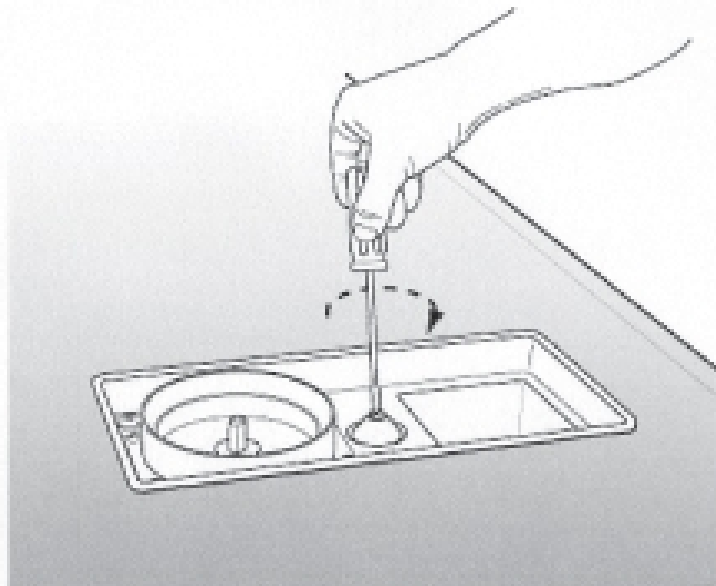
Make sure that the outside edge of the cutting tool follows the inside edge of the cut line at all times. It is very important that you do not exceed the dimensions of the template.

Mounting the Power Unit

1. Remove the top plate from the power base by gently prying it up until you can squeeze and release the springs from the slots and set the top plate aside.
2. Lower the Power Unit into the cutout so that the keypad is towards the front of the countertop. Center the unit within the cutout. **Be very careful not to create the rubber sealing gasket as you slide the power unit into place.**

3. Using a flat blade screwdriver, turn the central mounting screw clockwise. The clamp bracket beneath the counter will extend to secure the unit tight against the countertop.

Do not over tighten the screw!

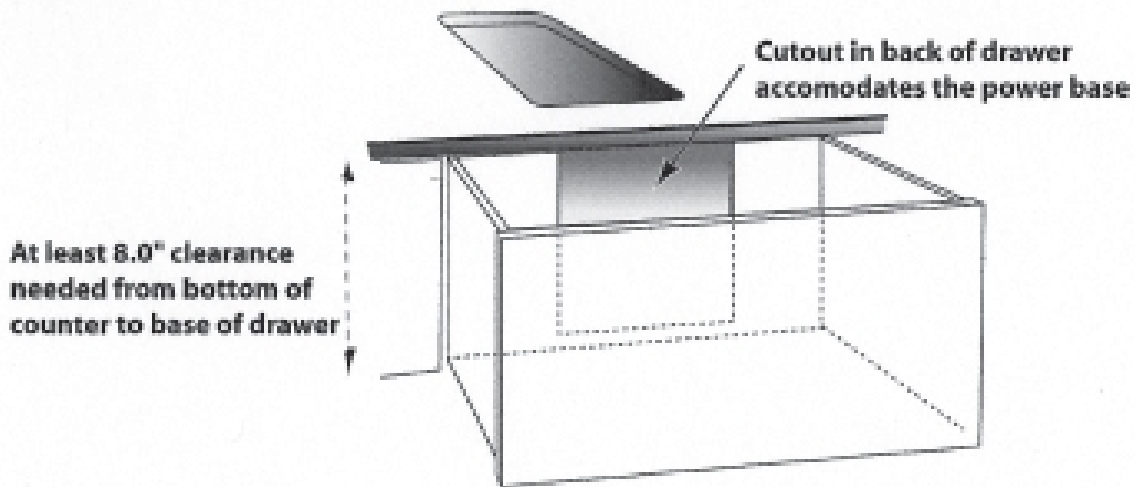


Replace the Top Plate and Key Pad

1. Align the top plate with the power base.
2. Squeeze the tension springs on the top plate until they slide smoothly into the slots at each end of the power base.
3. Gently press the top plate into position .
5. Plug in the Power Base.

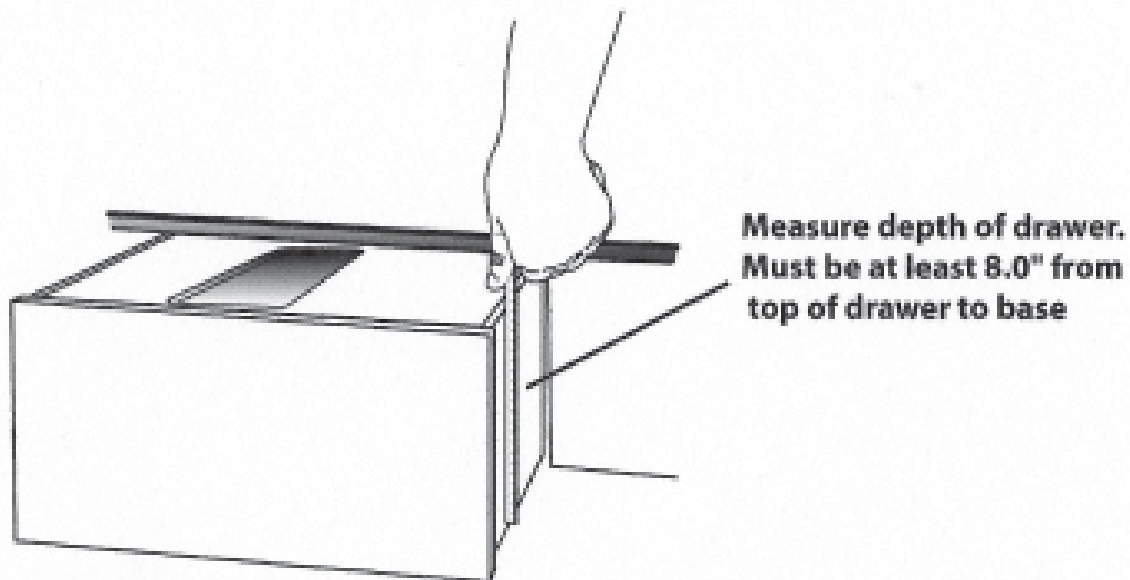
Installation above a drawer

The Power base can be installed above a drawer if required. Check that the drawer is deep enough to clear the power base before cutting. If necessary, make a cutout in the back of the drawer as shown so that it will clear the power base when the drawer is opened.



Installation inside a drawer

The power base can also be installed inside a deep drawer so that the keypad is flush with the top of the drawer as shown. Consult with your installer to make sure that the drawer has the minimum necessary dimensions and airflow and that a suitable insert can be placed into the top of the drawer to support the weight of the power base. The drawer must extend at least 16" inches past the counter top.



CAUTION

Make sure that the power cord has space to move freely without snagging when the drawer is opened and closed.

Using your Kitchen Center

The keypad



ON/OFF

The On/Off button powers the base. A red LED in the upper left corner of the Timer indicates power is being supplied to the unit. For safety, activation of an appliance requires the power button first and then second key be pressed, the power button alone will not activate the appliance.

Pulse

The Pulse key is active only when pressed and allows you to apply a short burst of power, for instance when crushing ice or chopping.

Speed Keys

The speed keys incrementally increase the speed of an appliance to suit your particular recipe or process.

Timer

The timer and digital readout allow you to set a duration of up to three minutes. If no time is set the motor will shut off automatically after two minutes of continuous operation.

Attachments

Together, the attachments for the Kitchen Center replace many small appliances.

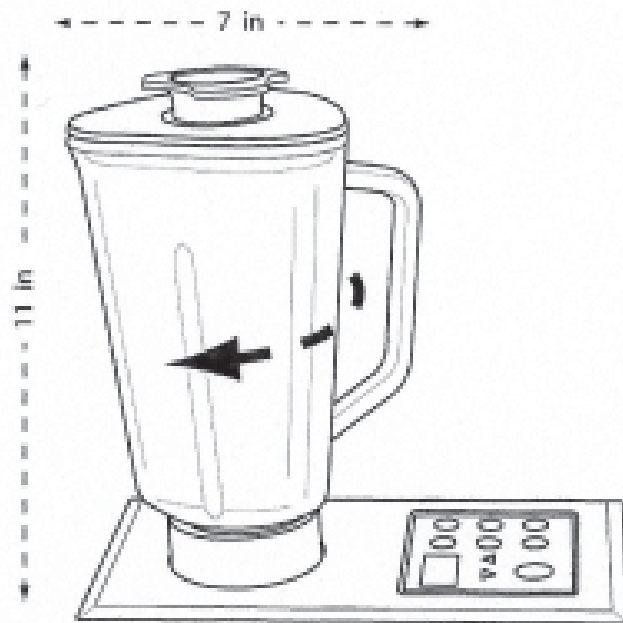
The Blender

You can order the blender in glass or stainless steel. Move smoothly through the five speeds on the keypad or use the pulse key for a short burst of power.

To assemble the blender:

1. Place the blades and gasket into the blender base.
2. Attach the jar by turning clockwise until snug.
3. Press the two part lid onto the jar.

To attach to the power base, place the blender into the power base and turn clockwise until fully seated.



The blender has an integral stable base which allows you to stand it on the counter. It is easily cleaned in your dish washer. The plastic base and the gasket should be placed on the top shelf. Dry thoroughly before use or storage.

CAUTION

Do not run continuously for more than three minutes at a time.

Keep hands and utensils out of the blender jar when in use to reduce the risk of severe injury to persons or damage to the blender. A scraper may be used but only when the blender is not running.

Blades are sharp. Handle carefully. Always operate the blender with the cover in place. When blending hot liquids, remove the centerpiece of the two piece cover

Introduction

Congratulations on your purchase of a Kitchen Center. Before you try it out, take a few moments to read this Owners Manual and familiarize yourself with the easy, convenient functioning of the power base and attachments.

IMPORTANT SAFEGUARDS

It is important to understand and observe the safety warnings and cautions in this section and throughout the manual. If you do not have installation and electrical experience, we suggest that you employ a professional installer to ensure that the work is performed in accordance with required safety codes.

Before using the Kitchen Center, read all the instructions and be sure to follow the basic safety precautions listed below:

- The Kitchen Center power base and attachments are for household use only
- Never leave an appliance running un-supervised
- Close supervision is necessary when any appliance is used by or near children
- Make sure the appliance is turned OFF when not in use, before changing accessories or cleaning
- Do not remove the lid or place your hands near moving parts when the appliance is operating
- Do not attempt to operate an attachment if it has been dropped or damaged in any way. Contact your local distributor for repair or replacement
- Do not attempt to use parts or attachments not approved for use by the manufacturer. Use of attachments not recommended or sold by the manufacturer may cause fire, electric shock or injury
- Do not use outdoors
- Keep hands, hair and clothing well away from moving parts
- Always remove accessories from the power base before cleaning
- Never feed food into accessories by hand when operating; always turn off the appliance before removing the lid
- **SAVE THESE INSTRUCTIONS**

Care and Maintenance

Your Kitchen Center power base and appliances are designed for ease of use and minimal maintenance and should provide you with years of trouble free use with the following easy care.

Maintenance

The power base is a self contained unit; no oil is required. Keep all liquids away from the center shaft and clean the well if food should accidentally spill into it.

Cleaning

Cleaning your Power Base

The power base keypad should be wiped clean with a soft damp cloth. Do not spray cleaning fluids directly onto the power base and do not allow fluids to puddle on the key pad or leak into the drive mechanism.

CAUTION:

Do not use harsh abrasive cleaners anywhere on the power base. They will destroy the finish and damage the keypad.

Cleaning the Appliances

Do not use scouring pads or harsh abrasives on any of your Kitchen Center appliances. When you have finished using each appliance, turn off the power base and remove the appliance from the power base.

Separate the parts of each appliance. The non moving parts, e.g. bowls and jars, can be placed in the dishwasher. The bases, containing the gear mechanism, and the blades should be gently hand washed in a mild detergent solution and warm water. Be careful when washing and drying the blades, they are extremely sharp!

Make sure the appliances are completely dry before storing.