

HASTY-BAKE® MODELS 256 & 257



256 (DUAL FINISH)



257 (STAINLESS STEEL)

“For the fanatical — I mean, serious — backyard cooks like myself, who quibble about inadequacies of most grills, there is only one answer: the original Hasty-Bake Gourmet Charcoal Oven.”

BOSTON MAGAZINE

THIS IS OUR ULTIMATE CHARCOAL OVEN! TWO LEVELS OF COOKING SURFACE MAKE IT POSSIBLE TO CREATE AWARD-WINNING FEASTS FOR ONE OR 100. WHILE ALL OF OUR FULL-SIZED UNITS WILL ACCOMMODATE A ROTISSERIE, THIS HOOD IS SPECIFICALLY DESIGNED FOR ROTISSERIE COOKING AND EVEN ALLOWS THE SERIOUS BACKYARD CHEF THE OPPORTUNITY TO RUN TWO ROTISSERIES AT THE SAME TIME. ALL HASTY-BAKE CHARCOAL OVENS ARE HANDCRAFTED WITH ONLY THE FINEST MATERIALS AVAILABLE.

SPECIFICATIONS FOR ALL GOURMET MODELS

- SURFACE COOKING SPACE: 834 square inches (including warming shelf)
- BASE DIMENSIONS: 30”L x 21”D x 47”H
- WEIGHT: 170 lbs.

MODEL 256 SPECIFICATIONS (DUAL FINISH)

- MATERIALS: Stainless steel front and side work tables
Heavy 1/4” dia. nickel-plated cooking grills
20 gauge steel hood with 3/16” tempered glass and bi-fold door
18 and 12 gauge galvanized lift and fire box
18 gauge powder-coated base
- WARRANTY: 5 year parts/workmanship
1 year finish
10 year on stainless steel components

MODEL 257 SPECIFICATIONS (STAINLESS STEEL)

- MATERIALS: Stainless steel front and side work tables
Heavy 1/4” dia. stainless steel primary cooking surface
20 gauge steel hood with 3/16” tempered glass and bi-fold door
18 and 12 gauge stainless steel lift and fire box
18 gauge polished 304 stainless steel base
- WARRANTY: 10 year parts/workmanship

HASTY-BAKE®

GOURMET

GOURMET INSTALLATION INSTRUCTIONS AND RECOMMENDATIONS

LOCATION:

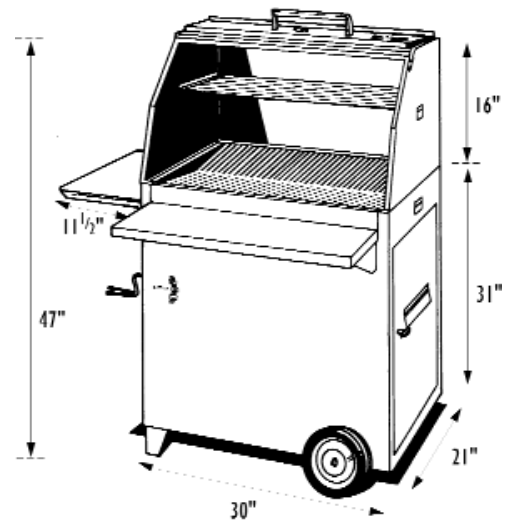
- Locate the Gourmet grill only in a well-ventilated area.
- Never locate the grill in a building, garage, breezeway, shed or other such enclosed area without an approved ventilation system.
- The grill is not to be located under any overhead unprotected combustible construction.
- The grill may be placed adjacent to non-combustible construction.

CLEARANCES:

- A minimum of 6" clearance is required on the left side of the lid to allow for rotisserie motor attachment. A 110/120 V outlet is also recommended on the left side of the grill to power the rotisserie motor.
- A minimum of 18" is required above the top of unit to open and close the lid.

RECOMMENDED ACCESSORIES:

- Gourmet Cover
 - Large Hasty-Bake Rotisserie Kit
 - Large Hasty-Bake Baster Pan
 - Hasty-Bake Grill Brush
 - Hasty-Bake Hardwood Charcoal
 - Hasty-Bake Firestarter
 - Firelighters
 - Hasty-Bake Grilling Towel
 - Hasty-Bake Cutting Board
 - Hasty-Bake Grill Lifter
- Don't Forget the Hasty-Bake Seasonings:*
- Hasty-Bake BBQ Sauce
 - Gourmet Greek
 - Lemon Pepper and
 - Award-winning Rub N' Spice



Total Height: 47"
Total Width: 30"
Side Table Width: 11 1/2"

HASTY-BAKE®

P.O. Box 4609 Tulsa, OK 74159
(918) 665-8220 or 1-800-4AN OVEN (1-800-426-6836)
Fax: (918) 665-8225

www.hastybake.com

© Hasty-Bake, 2007