

FIREMAGIC

AURORA INSULATING LINER INSTRUCTIONS

Read these instructions and the safety and installation portions of the grill instructions before liner installation.

The Aurora insulating liner kit includes the pre-assembled liner and two support hangers. Liner cutout dimensions are given in Table 1. A nominal $\frac{1}{16}$ " gap around the back and sides of the liner is recommended for ease of installation. A minimum of a 20" airspace from combustible material is required directly below the insulating liner, as shown in Fig. 1-2. The countertop material may be placed up to the insulating liner on the back and sides. **DO NOT** cover the liner. If the countertop thickness exceeds 2", new screw holes must be made in the support hangers.

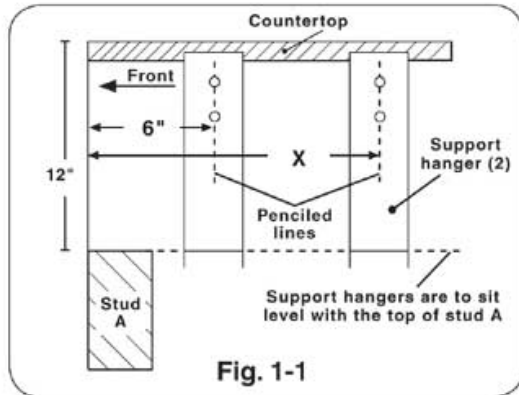
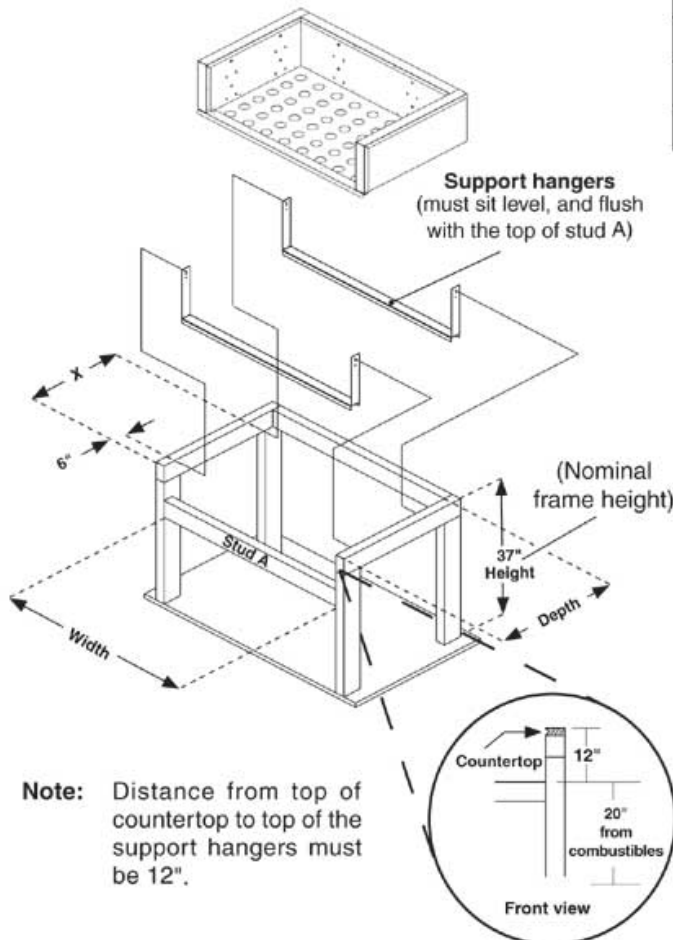


Fig. 1-1

Note: Drawings not to scale.

Fig. 1-2
Installation



Note: Distance from top of countertop to top of the support hangers must be 12".

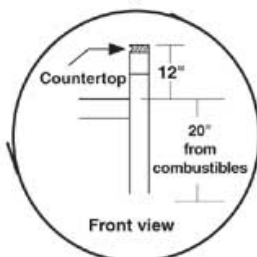


Table 1 - Cutout dimensions

Model	Height*	Width	Depth	Hanger setback †	
				Front	Rear (X)
A430i	12"	30 $\frac{1}{8}$ "	22 $\frac{1}{8}$ "	6"	15 $\frac{1}{2}$ "
A530i	12"	30 $\frac{1}{8}$ "	26"	6"	18 $\frac{1}{2}$ "
A540i	12"	36 $\frac{5}{8}$ "	22 $\frac{1}{8}$ "	6"	15 $\frac{1}{2}$ "
A660i	12"	36 $\frac{3}{8}$ "	26"	6"	18 $\frac{1}{2}$ "
A790i	12"	42 $\frac{1}{8}$ "	26"	6"	18 $\frac{1}{2}$ "

*Add 1" for support extension below.
† See Fig. 1-1 for rear (X) hanger setback.

INSTALLATION

Note: Additional framing may be necessary to properly anchor the support hangers.

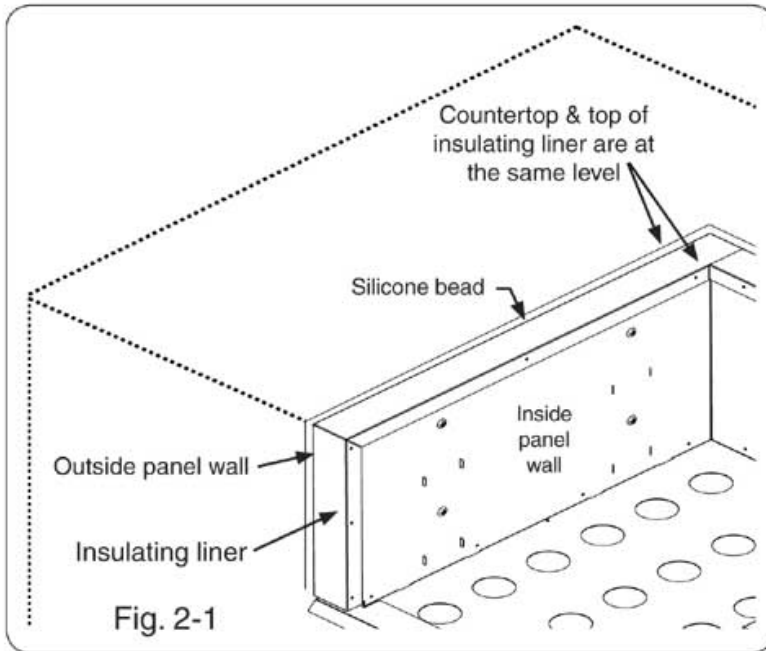
Step 1: On the inside of the grill opening, pencil in two vertical lines a distance of 6" and "X" (see Table 1) from the front of the enclosure (see Fig. 1-1). Do the same on the opposite side as well.

Step 2: Align the top of the support hangers level and flush with the opening 12" down from the countertop (i.e., the top of stud A). Line up hanger holes with your penciled lines (see Fig. 1-1 & 1-2) and screw into position.

Step 3: Install the insulating liner as shown in Fig. 2-1. **Top of liner must be flush with countertop.**

Refer to the grill safety precautions and installation instructions to install the grill and for special propane gas venting requirements.

IMPORTANT INFORMATION



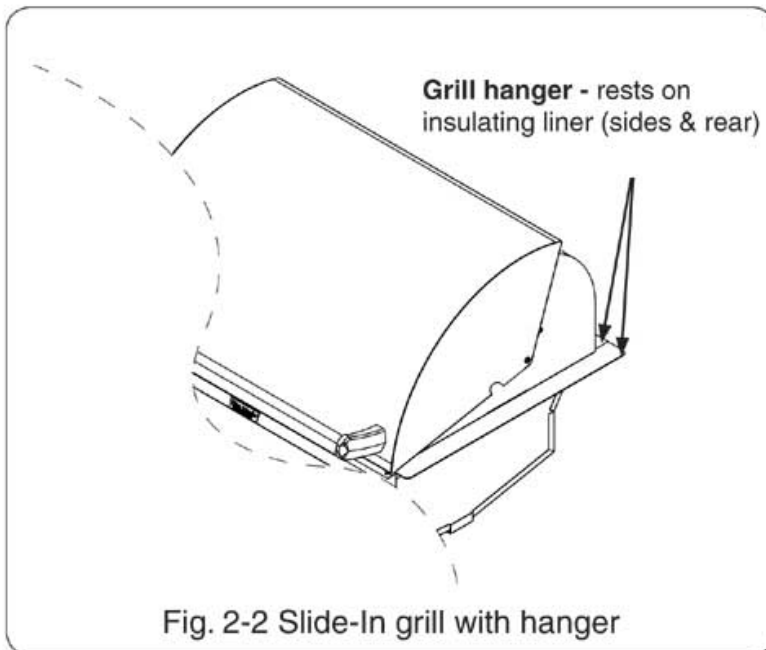
Countertops and cabinet faces made of combustible material, such as wood, Formica, and Corian, can extend up against the outside walls of the insulating liner and be joined by a bead of high temperature silicone sealer, as shown in Fig. 2-1. Never build over the insulating liner with combustible materials, as this will interfere with the grill hanger.

CAUTION: Do not extend countertop or cabinet face materials beyond the outside wall of the liner panels. Seal the space between the insulating liner and the countertop with silicone sealer.

DO NOT ALLOW THE GRILL HANGER TO COME IN CONTACT WITH THE COUNTERTOP OR ANY COMBUSTIBLE SURFACE (Fig. 2-2). IN SOME INSTALLATIONS THE HANGER WILL EXTEND SLIGHTLY OVER THE COUNTERTOP. UNDER THESE CONDITIONS, HIGH TEMPERATURE SILICON SEALER MUST BE USED AS AN INSULATOR BETWEEN THE HANGER AND THE COUNTERTOP COVERING THE FULL AREA OF THE OVERLAP.

Enclosures built of wood or other combustible materials must include the proper space for the insulating liner. A support shelf or ledge below the countertop is not needed to support the grill and insulating liner. The two support hangers provided will support the liner and grill.

Replacement parts may be obtained from your nearest Robert H. Peterson Co. dealer. For assistance in locating a dealer, you may contact the factory at the address listed below.



ECHELON INSULATING LINER INSTRUCTIONS

Read these instructions and the safety and installation portions of the grill instructions before liner installation.

The Echelon insulating liner kit includes the pre-assembled liner and two support hangers. Liner cutout dimensions are given in Table 1. A nominal $\frac{1}{16}$ " gap around the back and sides of the liner is recommended for ease of installation. A minimum of a 20" airspace from combustible material is required directly below the insulating liner, as shown in Fig. 1-2. The countertop material may be placed up to the insulating liner on the back and sides. **DO NOT** cover the liner. If the countertop thickness exceeds 2", new screw holes must be made in the support hangers.

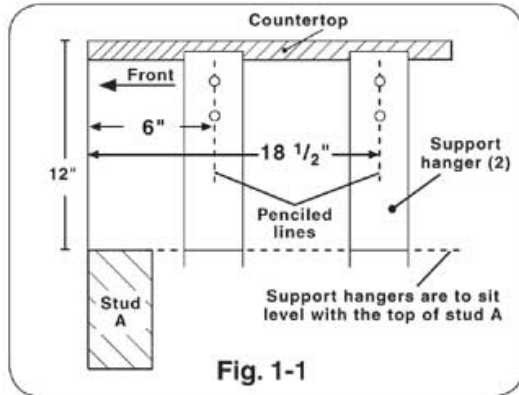
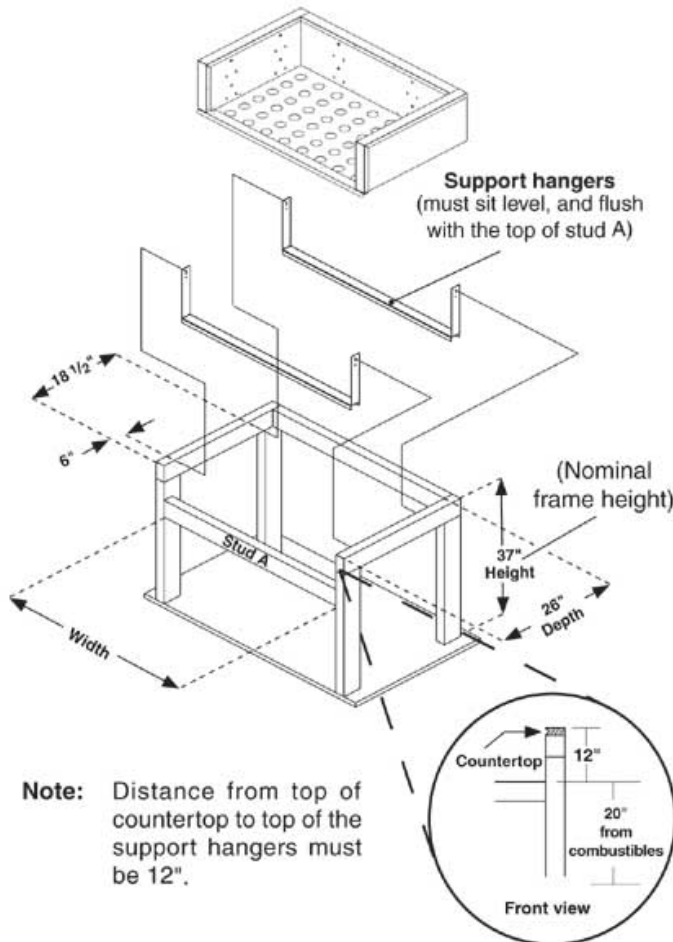


Fig. 1-1

Note: Drawings not to scale.

Fig. 1-2
Installation



Note: Distance from top of countertop to top of the support hangers must be 12".

Table 1 - Cutout dimensions

Model	Height*	Width	Depth
E660i	12"	36 $\frac{3}{8}$ "	26"
E790i	12"	42 $\frac{1}{8}$ "	26"
E1060i	12"	55"	26"

*Add 1" for support extension below.

INSTALLATION

Note: Additional framing may be necessary to properly anchor the support hangers.

Step 1: On the inside of the grill opening, pencil in two vertical lines 6" and 18 $\frac{1}{2}$ " from the front of the enclosure (see Fig. 1-1). Do the same on the opposite side as well.

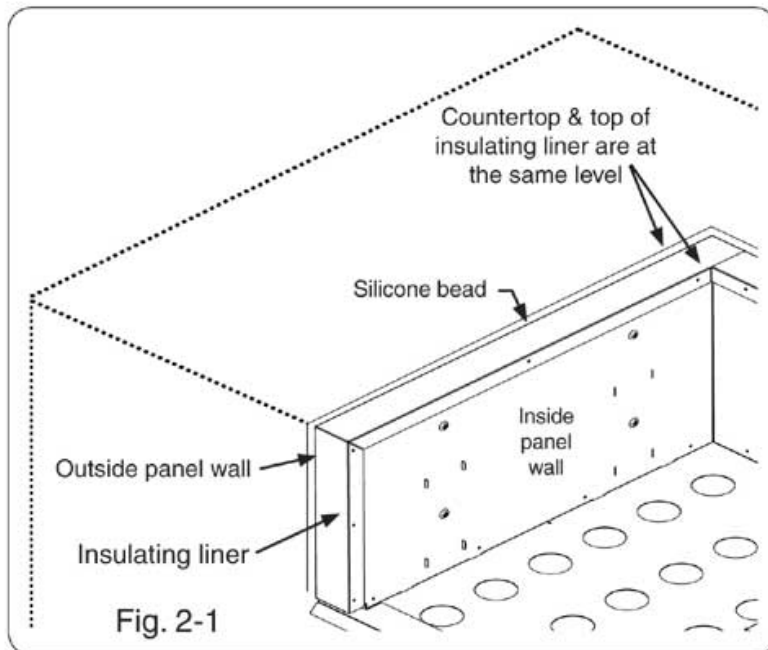
Step 2: Align the top of the support hangers level and flush with the opening 12" down from the countertop (i.e., the top of stud A). Line up hanger holes with your penciled lines (see Fig. 1-1 & 1-2) and screw into position.

Step 3: Install the insulating liner as shown in Fig. 2-1. **Top of liner must be flush with countertop.**

Refer to the grill safety precautions and installation instructions to install the grill and for special propane gas venting requirements.

For Echelon E1060i units with the powerhood option shift the grill to the left in the liner as required by the powerhood motor and gearbox on the right.

IMPORTANT INFORMATION



Countertops and cabinet faces made of combustible material, such as wood, Formica, and Corian, can extend up against the outside walls of the insulating liner and be joined by a bead of high temperature silicone sealer, as shown in Fig. 2-1. Never build over the insulating liner with combustible materials, as this will interfere with the grill hanger.

CAUTION: Do not extend countertop or cabinet face materials beyond the outside wall of the liner panels. Seal the space between the insulating liner and the countertop with silicone sealer.

DO NOT ALLOW THE GRILL HANGER TO COME IN CONTACT WITH THE COUNTERTOP OR ANY COMBUSTIBLE SURFACE (Fig. 2-2). IN SOME INSTALLATIONS THE HANGER WILL EXTEND SLIGHTLY OVER THE COUNTERTOP. UNDER THESE CONDITIONS, HIGH TEMPERATURE SILICON SEALER MUST BE USED AS AN INSULATOR BETWEEN THE HANGER AND THE COUNTERTOP COVERING THE FULL AREA OF THE OVERLAP.

Enclosures built of wood or other combustible materials must include the proper space for the insulating liner. A support shelf or ledge below the countertop is not needed to support the grill and insulating liner. The two support hangers provided will support the liner and grill.

Replacement parts may be obtained from your nearest Robert H. Peterson Co. dealer. For assistance in locating a dealer, you may contact the factory at the address listed below.

