

Del Rey Comfort Heater



Del Rey Comfort Heater DRH48N

Standard Features

- **Infrared mounted patio heater:**
Mounts easily to eaves or patio awnings; extensions come standard.
- **58,000 BTUs/hr:**
High heat output that prolongs the outdoor seasons.
- **Fueled by natural gas:**
Easily hooks up to a natural gas line.
- **Weatherproof:**
Quality stainless steel construction provides a rustproof product.
- **Size: 48" W x 10" D**

Don't let chilly weather prevent outdoor dining. DCS offers an infrared mounted patio heater that hooks up to a natural gas line. It is constructed of quality stainless steel that provides a weatherproof exterior. This heater is easily controlled with a wall-mount switch and comes standard with extensions, mounting kit, and transformer. The Del Rey emits 58,000 BTUs of heat from eaves or awnings to provide a comfortable atmosphere.



PERFECT HEAT.

Specifications

Standard Models

- DCS-DRH48N

Gas Requirements

- 58,000 btu/hr input @
5" w.c. Natural Gas Only

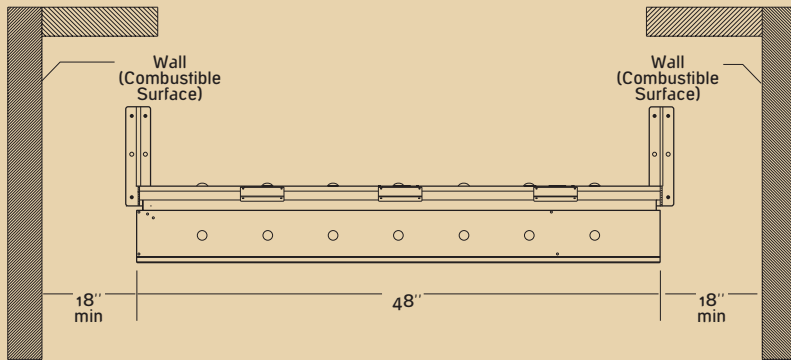
Shipping Dimensions/Weight

- | | L | W | H | LBS. |
|------------|-------|-------|-------|------|
| DCS-DRH48N | 53.25 | 14.33 | 11.85 | 51.6 |

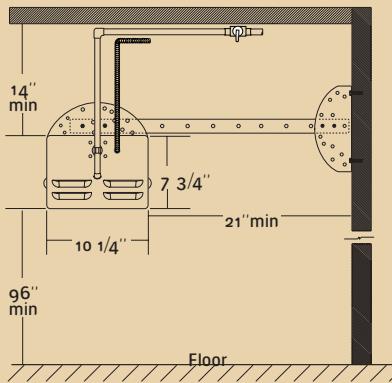
Installation Clearances

Standard Clearances:

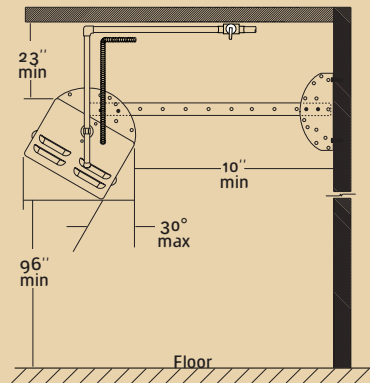
- to combustible material



FRONT VIEW

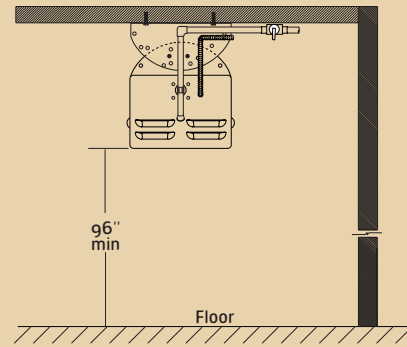


SIDE VIEW

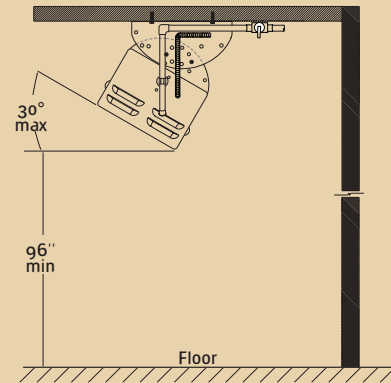


SIDE VIEW

- to non-combustible material



SIDE VIEW



SIDE VIEW

One Del Rey Heater will raise the ambient temperature of a 10'x14' area up to 22° maximum.

Warranty

One (1) Year full parts and labor covers the entire product.

Five (5) Year limited warranty on all stainless steel components (not including surface corrosion and discoloration).



PERFECT HEAT.

©2002 DCS
5800 Skylab Road, Huntington Beach, CA 92647. For more information, visit our web site at www.dcsappliances.com or ask your manufacturer's rep.
Tel: 800-433-8466 714-372-7000
Fax: 714-372-7001