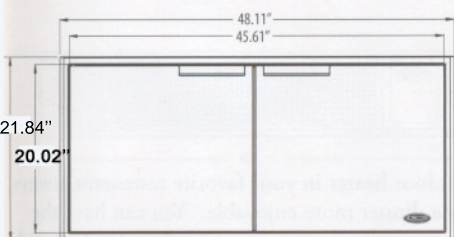
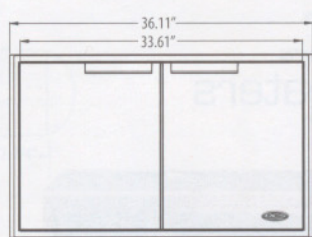


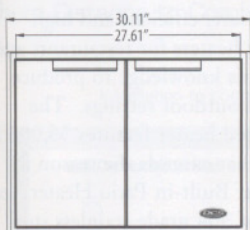
# Access door dimensions



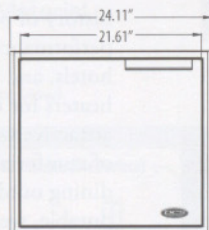
MODEL: ADN20x48



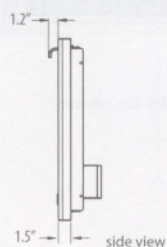
MODEL: ADN20x36



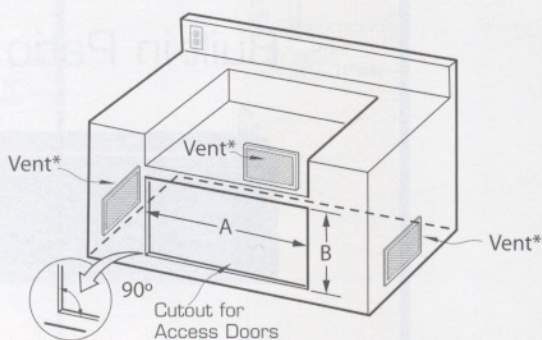
MODEL: ADN20x30



MODEL: ADN20x24



# Cutout dimensions



NOTE: The cutout of each corner should be 90° angle in order for the access drawers to fit properly.

\* Island installation to use minimum of 3 vents, 10 square inches per vent (typical).

MODEL NUMBER	B	A
ADN20x48	46"	20"
ADN20x36	34"	20"
ADN20x30	28"	20"
ADN20x24	22"	20"