

# HASTY-BAKE® MODELS 83 & 84



83 (DUAL FINISH)

“The three Hasty-Bake barbecues were the clear stars of last week’s event.”

DALLAS MORNING NEWS



84 (STAINLESS STEEL)

THE CONTINENTAL IS A SMALLER VERSION OF THE GOURMET, OUR ULTIMATE CHARCOAL OVEN. FOR THOSE WITH A SMALLER PATIO SPACE, THE CONTINENTAL HAS TWO COOKING LEVELS ALLOWING YOU TO PREPARE AN ENTIRE MEAL FOR THE FAMILY OR ENTERTAIN A SMALL GROUP OF FRIENDS. THE CONTINENTAL IS ANOTHER HASTY-BAKE CHARCOAL OVEN HANDCRAFTED WITH ONLY THE FINEST MATERIALS AVAILABLE.

### SPECIFICATIONS FOR ALL CONTINENTAL MODELS

- SURFACE COOKING SPACE: 504 square inches (including warming shelf)
- BASE DIMENSIONS: 23”L x 16”D x 43”H
- WEIGHT: 110 lbs.

#### MODEL 83 SPECIFICATIONS (DUAL FINISH)

- MATERIALS: Stainless steel front and side work tables  
Heavy 1/4” dia. nickel-plated cooking grills  
20 gauge steel hood with 3/16” tempered glass and bi-fold door  
18 and 12 gauge galvanized lift and fire box  
20 gauge powder-coated base
- WARRANTY: 5 year parts/workmanship  
1 year finish  
10 year on stainless steel components

#### MODEL 84 SPECIFICATIONS (STAINLESS STEEL)

- MATERIALS: Stainless steel front and side work tables  
Heavy 1/4” dia. stainless steel primary cooking surface  
20 gauge steel hood with 3/16” tempered glass and bi-fold door  
18 and 12 gauge stainless steel lift and fire box  
20 gauge polished 304 stainless steel base
- WARRANTY: 10 year parts/workmanship

**HASTY-BAKE®**

## CONTINENTAL INSTRUCTIONS AND RECOMMENDATIONS

### LOCATION:

- Locate the Continental grill only in a well-ventilated area.
- Never locate the grill in a building, garage, breezeway, shed or other such enclosed area without an approved ventilation system.
- The grill is not to be located under any overhead unprotected combustible construction.
- The grill may be placed adjacent to non-combustible construction.

### CLEARANCES:

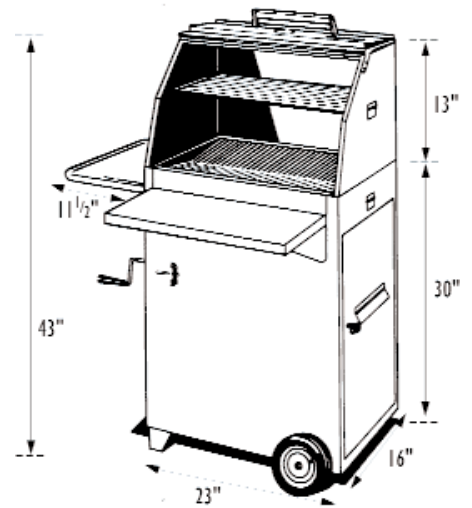
- A minimum of 15" is required above the top of unit to open and close the lid.

### RECOMMENDED ACCESSORIES:

- Continental Cover
- Small Hasty-Bake Rotisserie Kit
- Small Hasty-Bake Baster Pan
- Hasty-Bake Grill Brush
- Hasty-Bake Hardwood Charcoal
- Hasty-Bake Firestarter
- Firelighters
- Hasty-Bake Grilling Towel
- Hasty-Bake Cutting Board
- Hasty-Bake Grill Lifter

### *Don't Forget the Hasty-Bake Seasonings:*

- Hasty-Bake BBQ Sauce
- Gourmet Greek
- Lemon Pepper and
- Award-winning Rub N' Spice



Total Height: 43"  
Total Width: 23"  
Side Table: 9"x20 1/2"

## **HASTY-BAKE®**

P.O. Box 4609 Tulsa, OK 74159  
(918) 665-8220 or 1-800-4AN OVEN (1-800-426-6836)  
Fax: (918) 665-8225

[www.hastybake.com](http://www.hastybake.com)

© Hasty-Bake, 2007