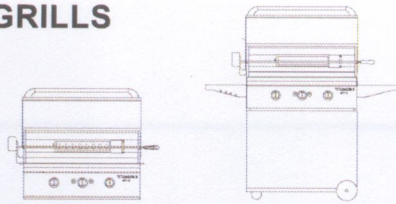


32" TITANIUM X GRILLS

32"



MODEL#	CCE32XBI	CCE32XRBI	CCE32XC	CCE32XRC	CCE32XCBS	CCE32XRCSB	CCE32XCAD
GRILLING AREA SQ. IN.	522	522	522	522	522	522	522
SHIPPING WEIGHT	127	145	210	220	225	225	237
POWER NEEDS	120V 60HZ	120V 60HZ	120V 60HZ	120V 60HZ	120V 60HZ	120V 60HZ	120V 60HZ
FUEL NEEDS	NATURAL GAS OR PROPANE	NATURAL GAS OR PROPANE	NATURAL GAS OR PROPANE	NATURAL GAS OR PROPANE	NATURAL GAS OR PROPANE	NATURAL GAS OR PROPANE	NATURAL GAS OR PROPANE

ORDERING INSTRUCTIONS

Please specify LP or Natural Gas when ordering

AVAILABLE ACCESSORIES

- CCE32ADS 20 X 32 Double Horizontal Access Doors
- CCE24ADVS 17 X 24 Single Vertical Access Door
- CCE20ADVS 14 X 20 Single Vertical Access Door
- CCE24ADHS 24 X 17 Single Horizontal Access Door
- CCE20ADHS 20 X 14 Single Horizontal Access Door
- CCE26-IJS 26" Insulated Jacket
- CCE32-IJS 32" Insulated Jacket
- CCE26CLRBI 26" Stainless Steel Cooler/Cocktail Station
- CCE32BX15 Built In Single Side Burner
- CCE32BX30 Built In Double Side Burner
- CCE-WR Warming Rack
- CCE-GPS SS Griddle Plate

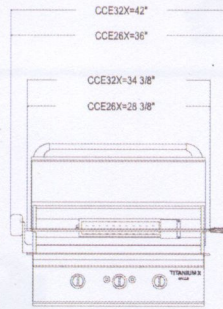
GRILL PLACEMENT

- DO NOT install grill in combustible enclosure.
- DO NOT leave a lit grill unattended.
- For outdoor use only!
- Use only in well ventilated areas.

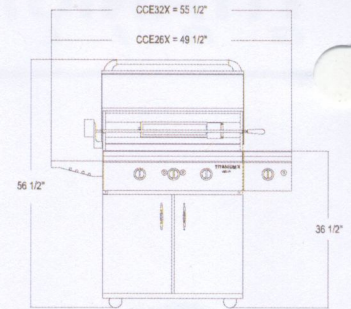
WARRANTY

- **A LIMITED LIFETIME WARRANTY** covers all stainless steel components against manufacturing defects, EXCLUDING discoloration or surface corrosion resulting from improper installation, proximity to chemicals, improper use and/or failure to follow maintenance and care instructions found in the use and care manual accompanying grill.
 - **5 YEAR WARRANTY** covers rotisserie grill burner.
 - **2 YEAR WARRANTY** covers the radiant plates.
 - **1 YEAR FULL WARRANTY** (parts and Labor) covers the entire product.
- * Please read use and care manual thoroughly to learn more about warranty information.

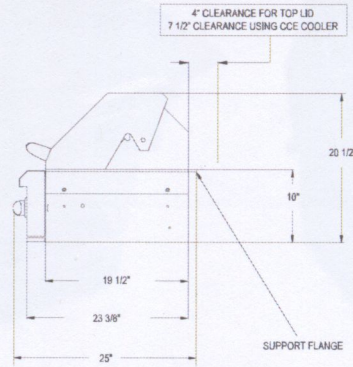
HEAD FRONT VIEW



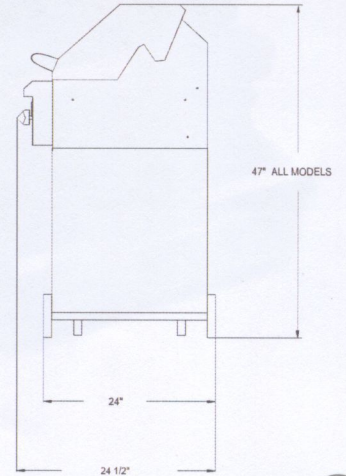
HEAD + CART FRONT VIEW CAD MODEL



HEAD SIDE VIEW



HEAD + CART SIDE VIEW



BBQ's, SIDE BURNERS, COOLERS & ACCESS DOORS CUT-OUT SPECIFICATIONS

MODELS	CUT-OUT DIMENSIONS				
	A	B	C	D (MIN CLEARANCE)	E (MIN)
CCE26XRBI	19.500	26.750	10	7.500	6.0
CCE26XBI	19.500	26.750	10	7.500	N/A
CCE32XRBI	19.500	32.750	10	7.500	6.0
CCE32XBI	19.500	32.750	10	7.500	N/A
CCE26XCH-BI	19.500	26.750	10	7.500	N/A
CCE26XCLR-BI	19.500	26.750	10	7.500	N/A
CCESB15X	12.375	11.750	9	N/A	N/A
CCESB30X	19.500	11.750	9	N/A	N/A
CCE26AD	20.350	23.250	N/A	N/A	N/A
CCE32AD	20.350	29.250	N/A	N/A	N/A
CCE20ADV-S	20.375	14.375	N/A	N/A	N/A
CCE20ADH-S	14.375	20.313	N/A	N/A	N/A
CCE24ADV-S	24.375	17.375	N/A	N/A	N/A
CCE24ADH-S	17.375	24.313	N/A	N/A	N/A

