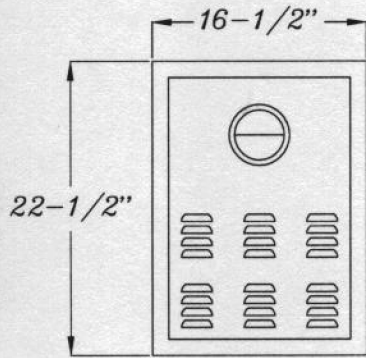
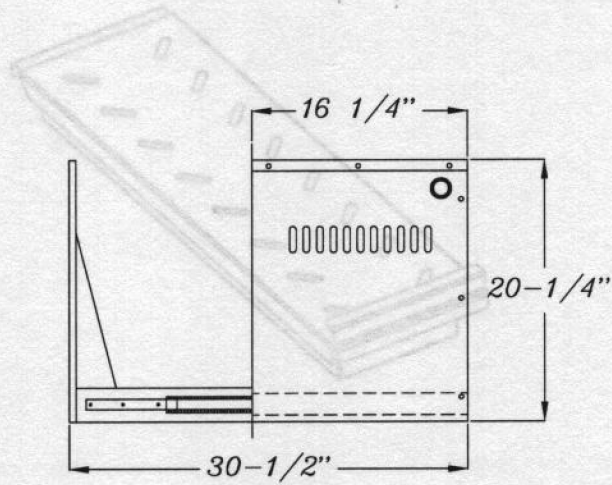


**BAR-B-Q'S
PROPANE TANK ACCESS DOOR**

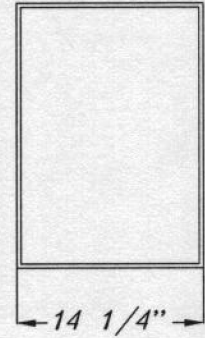
D:\Program Files\MDT\drawings\logos\Cat-Flame logo2.dwg



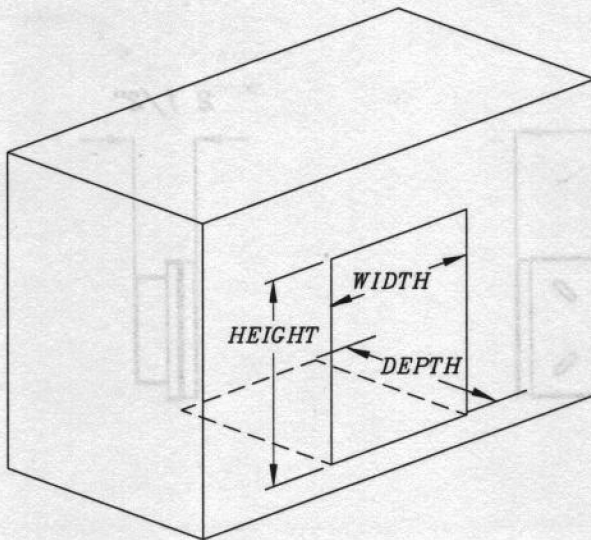
FRONT



SIDE



BACK



CUT OUT DIMENSIONS

TANK ACCESS DOOR	
WIDTH	14 1/2"
HEIGHT	20 1/4"
DEPTH	16 1/4"

**NOTE: DUE TO OUR CONTINUOUS IMPROVEMENT PROGRAM,
ALL MODELS AND SPECIFICATIONS ARE SUBJECT TO
CHANGE WITHOUT PRIOR NOTICE.**