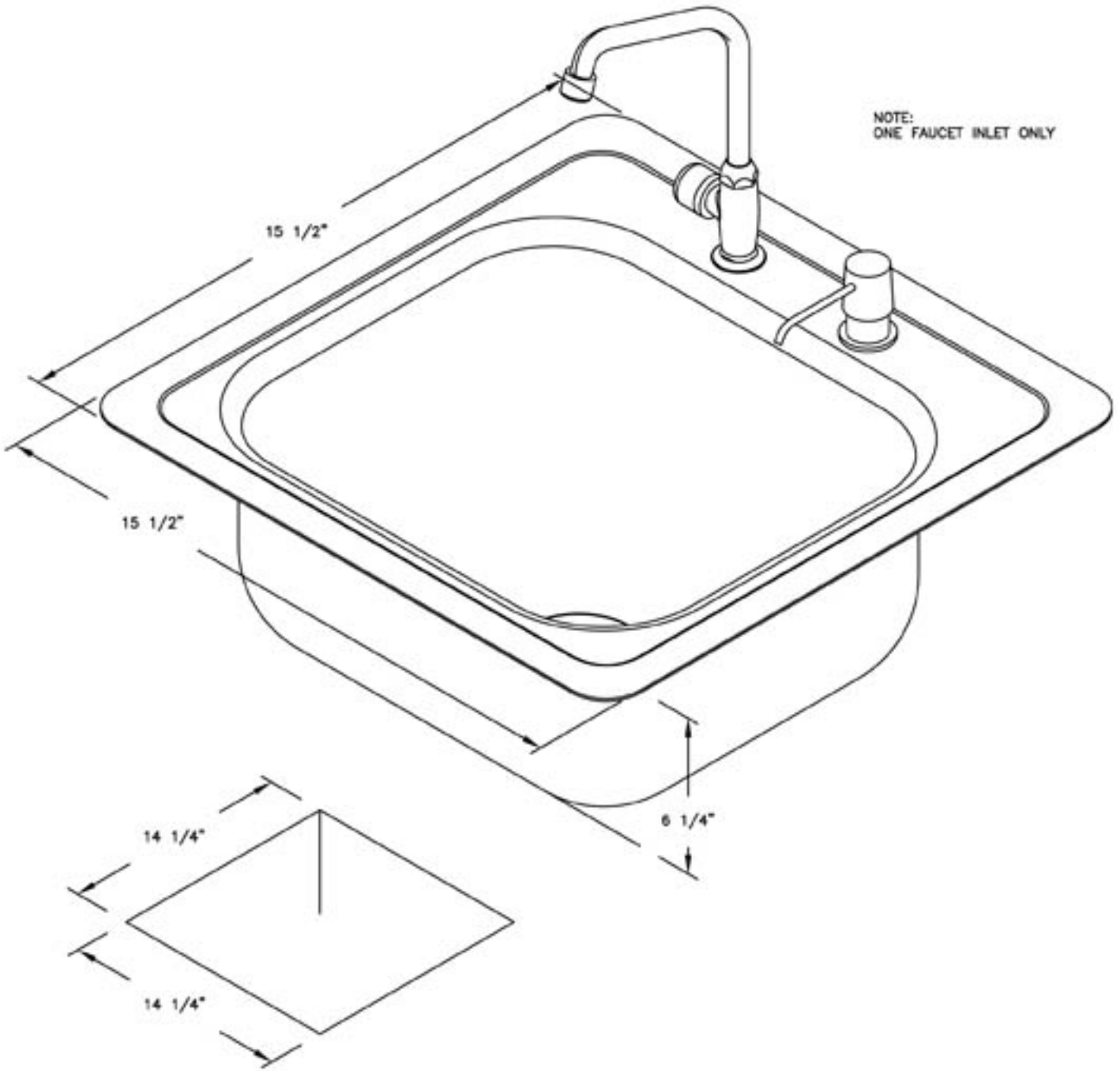


LINE	BARBECUE LINE
MODEL	SINK W/SOAP DISPENSER
NUM	



NOTE:  
ONE FAUCET INLET ONLY

CUT OUT DIMENSIONS

SCALE: NTS



TITLE 2010 BARBECUE LINE  
ACCESSORIES – DROP IN  
SINK W/SOAP DISPENSER

DWG NO. BBQ07963

DWG BY A. MORATAYA

DATE 09/30/09

REVISED

NOTE:  
DUE TO OUR CONTINUOUS IMPROVEMENT PROGRAM, ALL MODELS  
AND SPECIFICATIONS ARE SUBJECT TO CHANGE WITHOUT NOTICE.