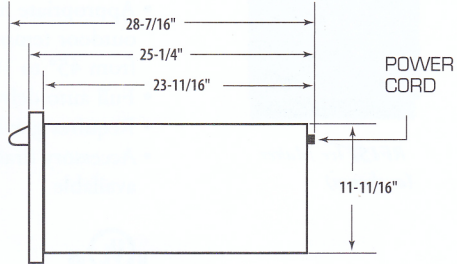
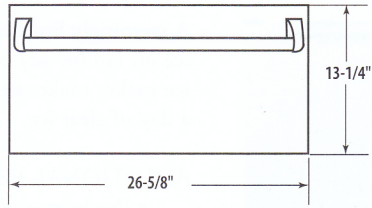
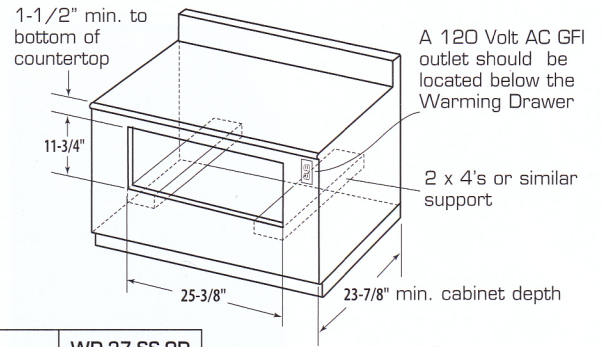


Warming Drawer Dimensions



Warming Drawer Island Preparation



| MODEL NUMBER | WD-27-SS-OD |
|--|-----------------|
| DRAWER SPACE | 1.6 CUBIC FEET |
| REMOVABLE SHELF/SERVING TRAY | ✓ |
| TYPE 304 STAINLESS STEEL | ✓ |
| SHIPPING WEIGHT (LBS) | 67 |
| SHIPPING DIMENSIONS (HT X WIDTH X DEPTH) | 13.25 X 33 X 34 |

Power Requirements:

- 120V 60Hz
- 3 wire
- 15 amp circuit