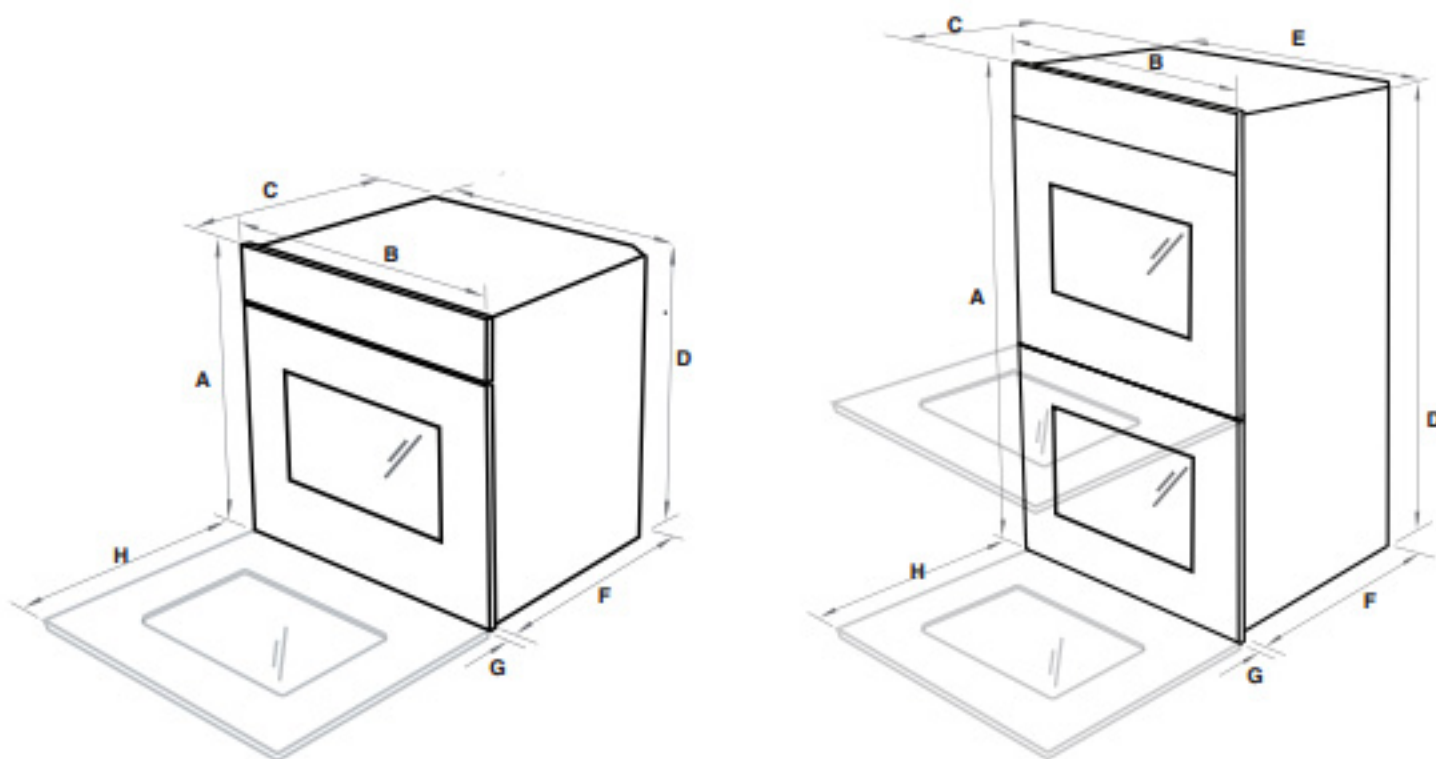




## SINGLE AND DOUBLE OVEN PRODUCT DIMENSIONS

WOSU30 & WODU30



### PRODUCT DIMENSIONS (INCHES)

	WOSU30	WODU30
A Overall height of product	27 <sup>1</sup> / <sub>16</sub> "	48 <sup>7</sup> / <sub>16</sub> "
B Overall width of product	29 <sup>3</sup> / <sub>4</sub> "	29 <sup>3</sup> / <sub>4</sub> "
C Overall depth of product (without handle)	23 <sup>15</sup> / <sub>16</sub> "	23 <sup>15</sup> / <sub>16</sub> "
D Height of chassis	26 <sup>3</sup> / <sub>4</sub> "	47 <sup>15</sup> / <sub>16</sub> "
E Width of chassis	28 <sup>1</sup> / <sub>4</sub> "	28 <sup>1</sup> / <sub>4</sub> "
F Depth of chassis	22 <sup>7</sup> / <sub>16</sub> "	22 <sup>7</sup> / <sub>16</sub> "
G Depth of oven frame and control panel (excl. knobs)	1 <sup>1</sup> / <sub>2</sub> "	1 <sup>1</sup> / <sub>2</sub> "
H Depth of oven door (open) (measured from front of oven frame)	20 <sup>7</sup> / <sub>8</sub> "	20 <sup>7</sup> / <sub>8</sub> "