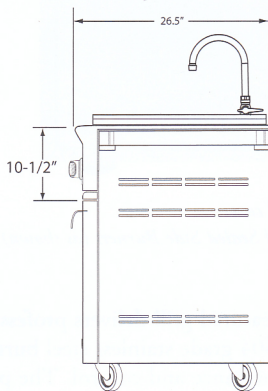
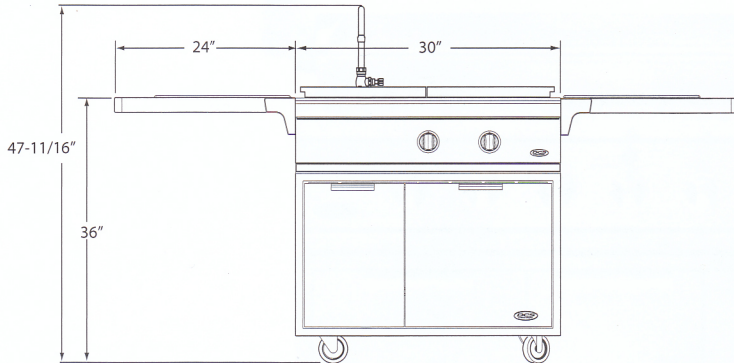


Dual Side Burner/Sink Dimensions (with optional grill cart)

Dual Side Burner/Sink Model: BFG-30BS

Cart Model: CAD-30 (shown with optional side shelves)



MODEL NUMBER	BFG-30BS
SIDE BURNERS	2 @ 17,000 BTU/HR
SHIPPING WEIGHT (SIDE BURNER/SINK HEAD)	120 LBS.
SHIPPING WEIGHT (OPTIONAL CART)	120 LBS.
SHIPPING DIMENSIONS (SIDE BURNER/SINK HEAD) (HEIGHT X WIDTH X DEPTH)	32" X 32" X 16"

Ordering Data:

Please specify gas type (natural or propane) when ordering

Gas Requirements:

Natural

- 1/2" NPT male with a 3/8" flare adapter
- Operational Pressure: 4" W.C.
- Supply Pressure: 6" to 9" W.C.

Propane

- 1/2" NPT male with a 3/8" flare adapter
- LP hose with a quick disconnect & fitting are shipped connected
- Operational Pressure: 10" W.C.
- Supply Pressure: 11" to 14" W.C.

Power Requirements:

- 9V battery

Island Ventilation Requirements:

It is recommended that adequate ventilation holes must be provided in the base of an enclosure in the event of a gas leak.

Side Burner/Sink Placement:

DO NOT build side burner/sink under overhead unprotected combustible construction. Use only in well-ventilated areas. These units are for outdoor use only. If located in a consistently windy area (oceanfront, mountaintop, etc.) a wind break will be required.

Conversion Kits:

NG to LP and LP to NG conversion kits are available from your dealer.

Accessories

- Stainless Steel Cart (CAD-30)
- Dual side burners for built-in application
- Stainless Steel Access Doors for built-in application
- Stainless Steel Access Drawers for built-in application
- Insulated Jacket for built-in application
- Brazilian Cherry Chopping Board that fits in cart optional side-shelf
- Vinyl Grill Cover
- Wok and Wok Ring for use on side burners

We encourage you to find out more about these features and learn how they can make your cooking experience more enjoyable by visiting our learning page at: www.dcsappliances.com.

Because of continuing product improvement these specifications are subject to change without notice.