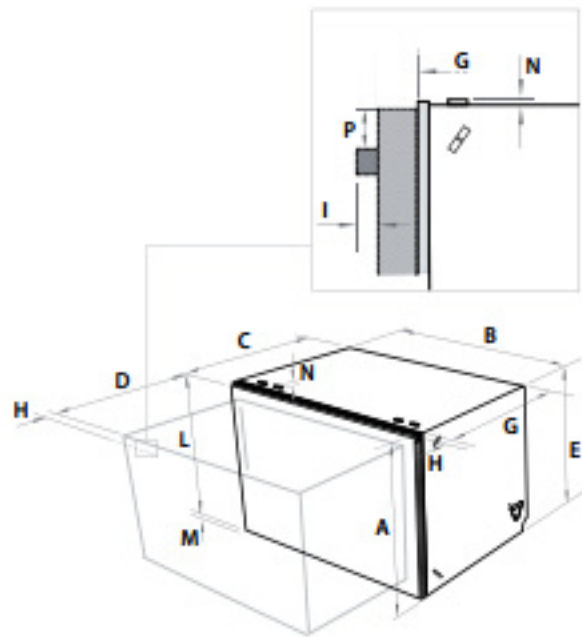




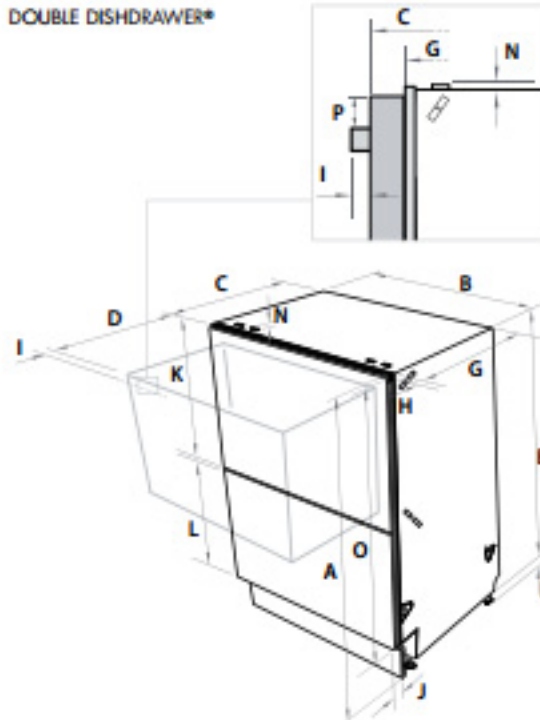
SINGLE AND DOUBLE DISHDRAWER® PRODUCT DIMENSIONS

Stainless Steel DD24SUT, Stainless Steel DD24DUT6, Integrated DD24STI6V2 & Integrated DD24DTI6V2

SINGLE DISHDRAWER*



DOUBLE DISHDRAWER*



PRODUCT DIMENSIONS (INCHES)

	Stainless Steel Flat Door DD24SUT	Stainless Steel Flat Door DD24DUT6	Panel Ready Integrated Door DD24STI6V2	Panel Ready Integrated Door DD24DTI6V2
A Overall height* of product (incl. drawer front height)	17 13/16"	34 - 36 3/8"	18 3/4"	34 - 36 3/8"
B Overall width of product	23 13/16"	23 13/16"	23 9/16"	23 9/16"
C Overall depth of product (excl. handle)	22 11/16"	22 11/16"	22 7/16"***	22 7/16"
D Depth of drawer (open) (excl. handle)	21 7/16"	21 7/16"	21 3/16"	21 7/16"
E Height* of chassis	17 13/16"	33 9/16"	17 13/16"	33 9/16"
F Height range of levelling feet	-	2 3/8"	-	2 3/8"
G Depth of chassis (incl. trimseal)	21 3/4"	21 3/4"	21 3/4"	21 3/4"
H Depth of drawer front panel (excl. handle)	1"	1"	11/16"	11/16"
I Depth of handle	2 5/8"	2 5/8"	n/a	n/a
J Depth of toe kick	-	2 1/4" - 4 3/8"	-	2 5/8" - 5" **
K Height of upper drawer front	-	17 3/8"	-	17 3/8" min
L Height of drawer front / Height of lower drawer front	17 3/8"	12 3/16"	18 1/5" min	12 3/16" min
M Height of venting area at base of product	3/8"	-	3/8"	-
N Height of installation bracket slots (on top of chassis)	1/16"	1/16"	1/16"	1/16"
O Height of drawer fronts	-	30"	-	30" min
P Height from the top of handle to the top of door	2 7/16"	2 7/16"	-	-

*Chassis heights include bracket slots. ** Less the toe kick panel thickness (min panel thickness using supplied screws is 2/8"). *** Panel thickness = 11/16" (18mm)

Product dimensions and specifications are listed as a guide only. For complete installation instructions and specifications, refer to the product Use & Care Guide/Installation Instructions available at www.dcsappliances.com