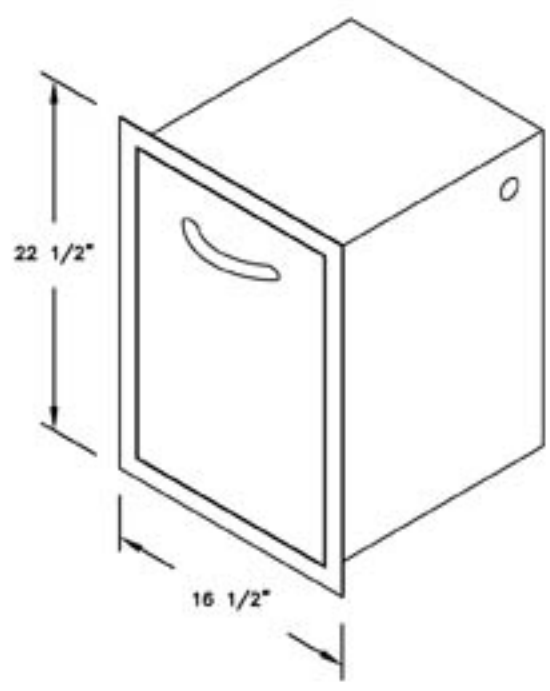
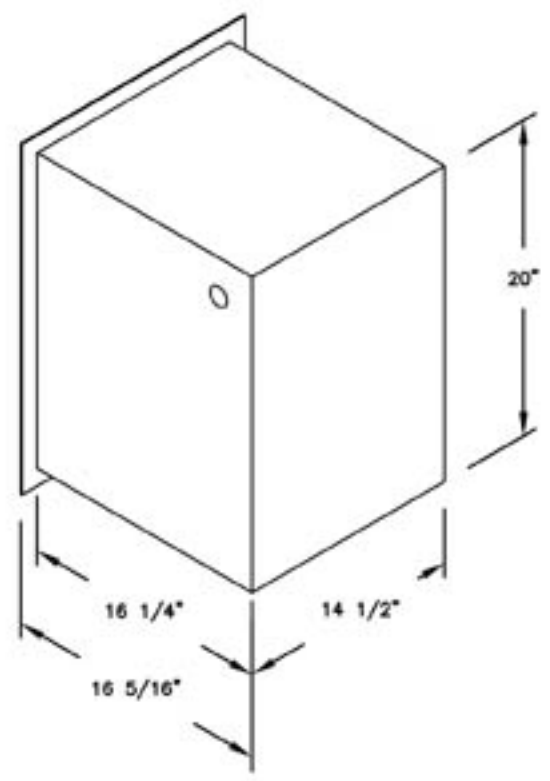


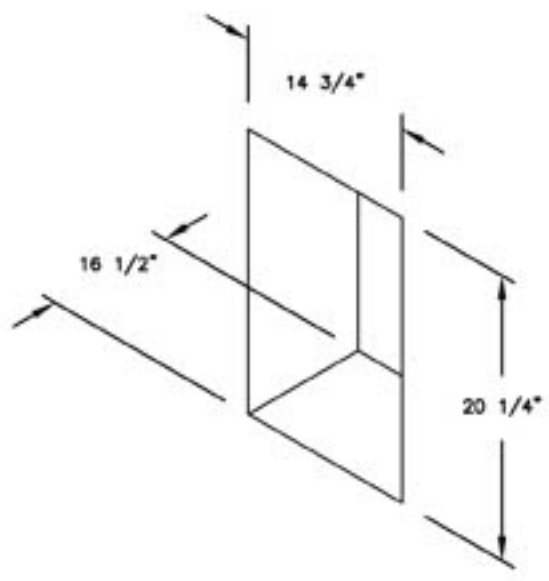
LINE	BARBECUE LINE
MODEL	PROPANE TANK DRAWER
NUM	



ISOMETRIC FRONT VIEW



ISOMETRIC BACK VIEW



CUT OUT DIMENSION

SCALE: NTS



TITLE 2010 BARBECUE LINE DOORS & DRAWERS PROPANE TANK DRAWER	
DWG NO. BBQ07857P	DWG BY A. MORATAYA
DATE 09/30/09	REVISED

NOTE:
DUE TO OUR CONTINUOUS IMPROVEMENT PROGRAM, ALL MODELS
AND SPECIFICATIONS ARE SUBJECT TO CHANGE WITHOUT NOTICE.