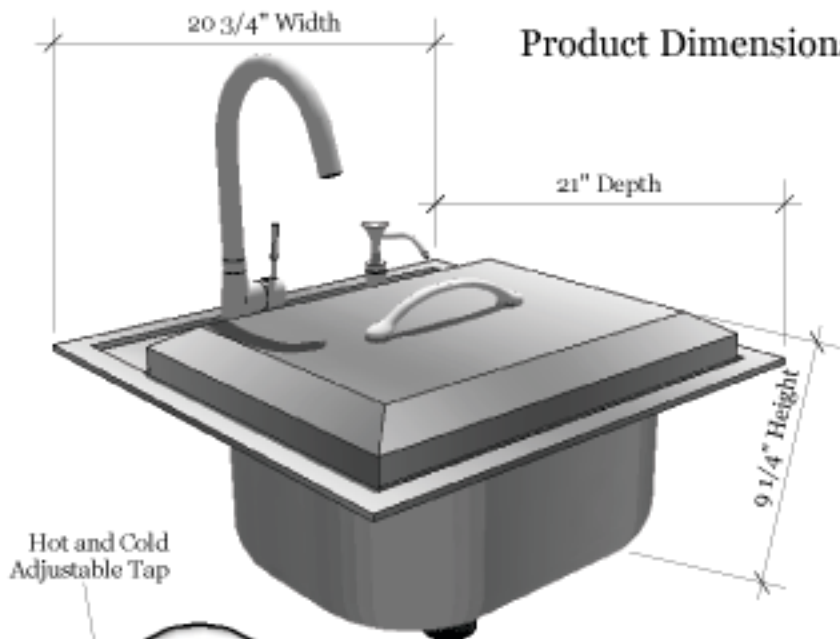
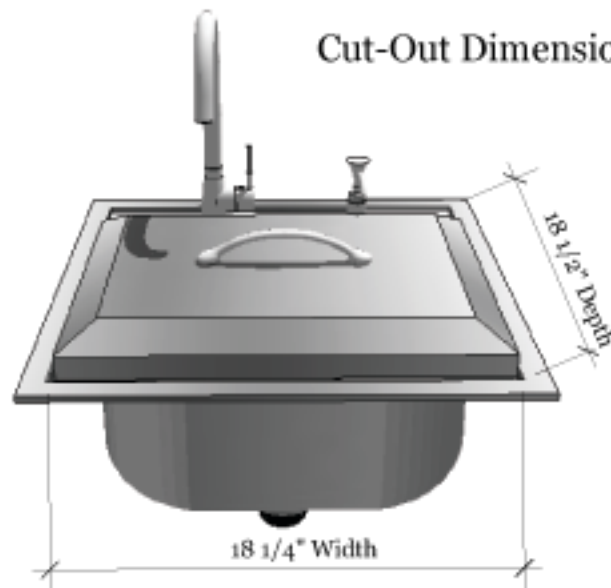


## Product Dimensions



## Cut-Out Dimensions



**PRODUCT**  
**PREMIUM 21" SINK**  
 Item No. D05V54

**DESCRIPTION**  
 PREMIUM DROP-IN 21" GOURMET  
 STYLE SINK, WITH COVER, CUTTING  
 BOARD, BASKET, AND STRAINER

**PREMIUM DROP-IN 21" SINK**  
 20-3/4" W x 21" D x 9-1/4" H (Product Size )  
 18 1/4" W x 18-1/2" D (Cut-out )  
 20 LBS ( Weight )

**Material Specifications:**  
 304 Stainless Steel for Sink,  
 18 Gauge 304 SS for Sink Frame,  
 18 Gauge 304 SS for Sink Lid,  
 14 Gauge 304 SS for Drainer Basket top frame.  
 Tap is made of Brass with Zinc Plating.  
 Soap Dispenser is Zinc-Plated.  
 Sink and Strainer basket is Stainless Steel  
 Handle is made of Zinc Alloy, Chrome Plated.

## Section Cut Views

