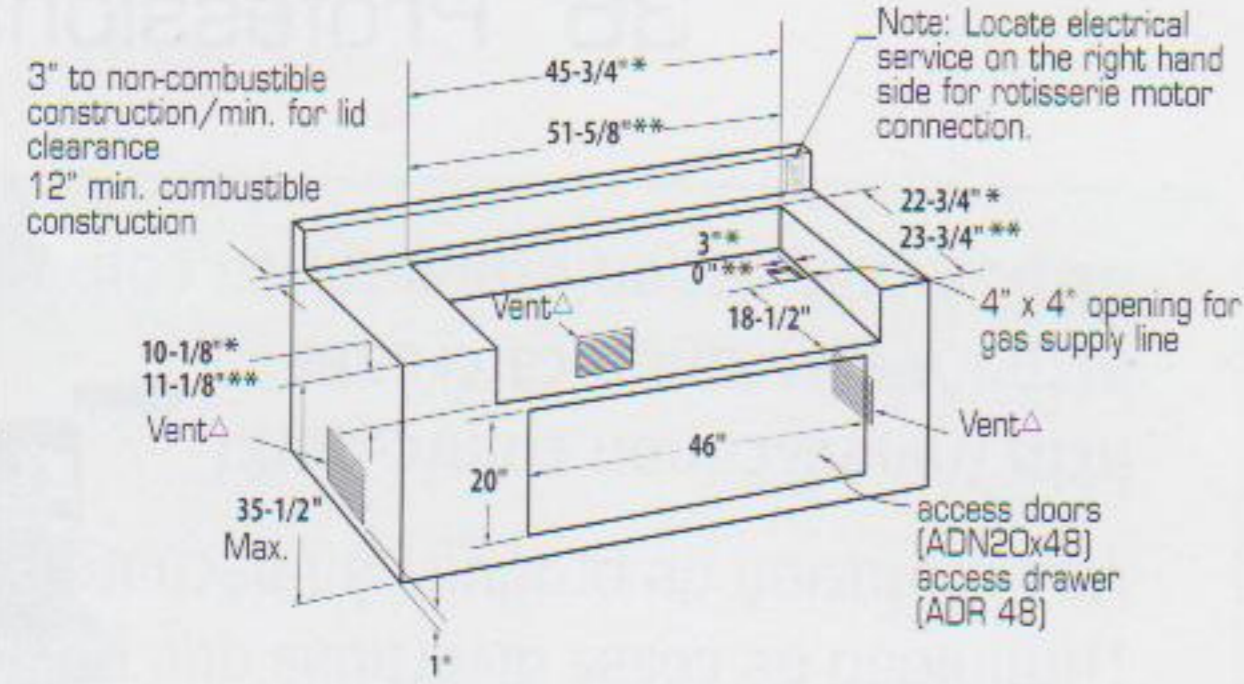


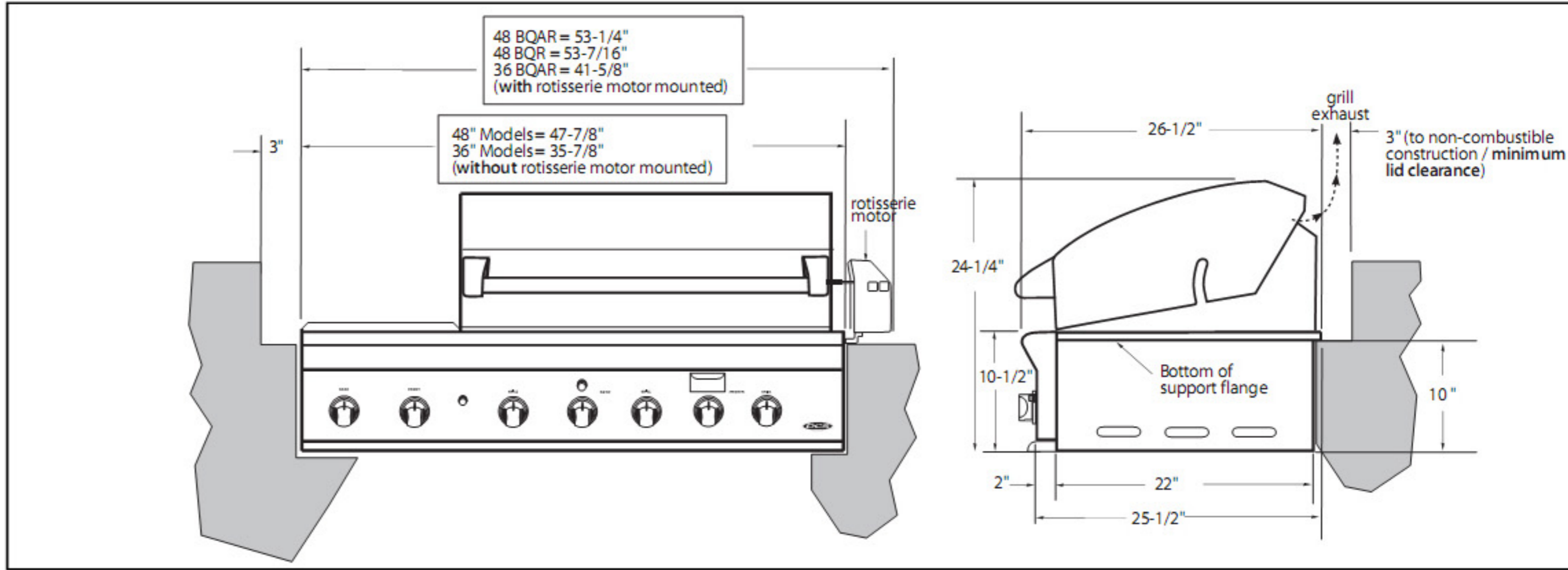
# 48" Grill Island Preparation

Grill Models: BGB48-BQAR/BGB48-BQR



- \* Standard cut-out dimensions for non-combustible enclosure
- \*\* Insulated jacket cut-out dimensions for combustible enclosure
- △ Island installation to use minimum of 3 vents providing 10 square inches per vent (typical)

# Clearances to Non-Combustible Construction\*



## Ordering Data:

Please specify gas type (natural or propane) when ordering

## Gas Requirements:

### Natural

- 1/2" NPT male with a 3/8" flare adapter
- Operational Pressure: 4" W.C.
- Supply Pressure: 6" to 9" W.C.

### Propane

- 1/2" NPT male with a 3/8" flare adapter
- LP hose with a quick disconnect & fitting are shipped connected
- Operational Pressure: 10" W.C.
- Supply Pressure: 11" to 14" W.C.

## Power Requirements:

- 120V 60Hz for models with Rotisserie Motor.

## Island Ventilation Requirements:

It is recommended that adequate ventilation holes must be provided in the base of an enclosure in the event of a gas leak.

## Grill Placement:

DO NOT build grill under overhead unprotected combustible construction. Use only in well-ventilated areas. These units are for outdoor use only. If located in a consistently windy area (oceanfront, mountaintop, etc.) a wind break will be required.