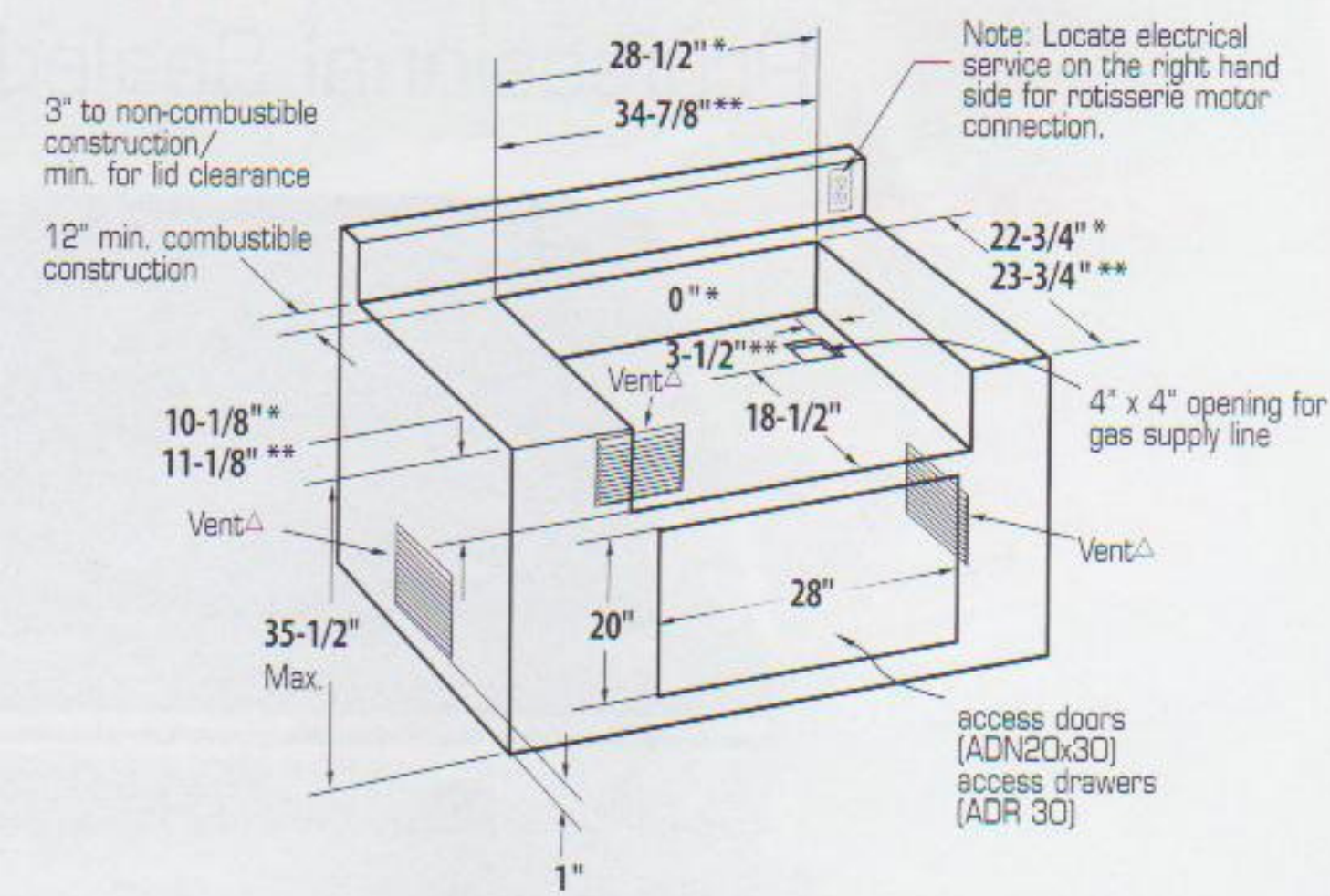


30" Grill Island Preparation

Grill Model: BGB30-BQR



- * Standard cut-out dimensions for non-combustible enclosure
- ** Insulated jacket cut-out dimensions for combustible enclosure
- △ Island installation to use minimum of 3 vents providing 10 square inches per vent (typical).

Ordering Data:

Please specify gas type (natural or propane) when ordering

Gas Requirements:

Natural

- 1/2" NPT male with a 3/8" flare adapter
- Operational Pressure: 4" W.C.
- Supply Pressure: 6" to 9" W.C.

Propane

- 1/2" NPT male with a 3/8" flare adapter
- LP hose with a quick disconnect & fitting are shipped connected
- Operational Pressure: 10" W.C.
- Supply Pressure: 11" to 14" W.C.

Power Requirements:

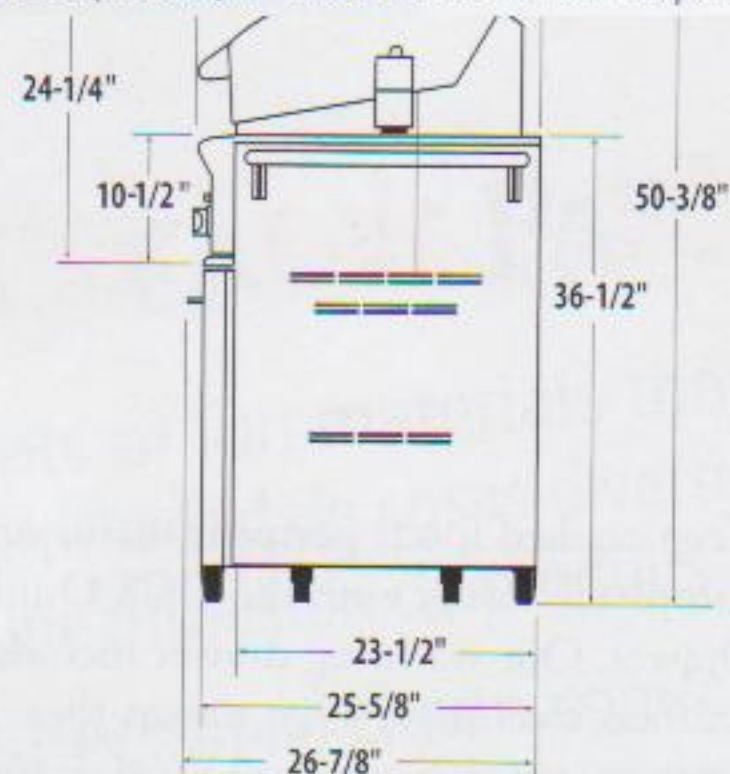
- 120V 60Hz for models with Rotisserie Motor.

Island Ventilation Requirements:

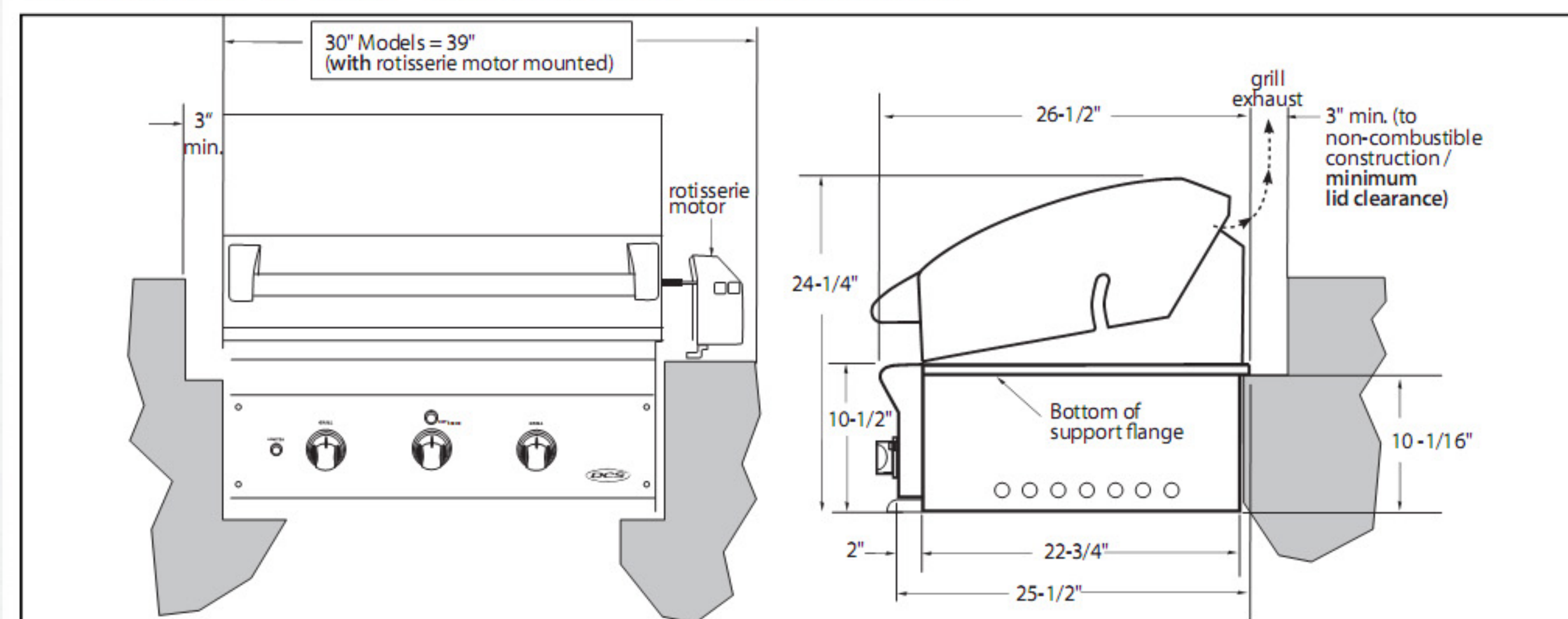
It is recommended that adequate ventilation holes must be provided in the base of an enclosure in the event of a gas leak.

Grill Placement:

DO NOT build grill under overhead unprotected combustible construction. Use only in well-ventilated areas. These units are for outdoor use only. If located in a consistently windy area (oceanfront, mountaintop, etc.) a wind break will be required.



Clearances to Non-Combustible Construction*



MODEL NUMBER	BGB30-BQR
TOTAL COOKING AREA	760 SQ. INCHES
PRIMARY COOKING AREA (GRILL AREA)	565 SQ. INCHES
SECONDARY COOKING AREA (WARMING RACK)	195 SQ. INCHES
GRILL BURNERS	2 @ 25,000 BTU/HR
OPTIONAL SIDE BURNER (CART MOUNT)	1 OR 2 @ 17,000 BTU/HR
INTEGRATED ROTISSERIE BURNER	1 @ 14,000 BTU/HR
GRILL GRATES	STAINLESS STEEL
SHIPPING WEIGHT (GRILL HEAD)	164 LBS.
SHIPPING WEIGHT (OPTIONAL CART)	95 LBS.
SHIPPING DIMENSIONS (HEIGHT X WIDTH X DEPTH)	28" X 32-1/2" X 29-1/2"