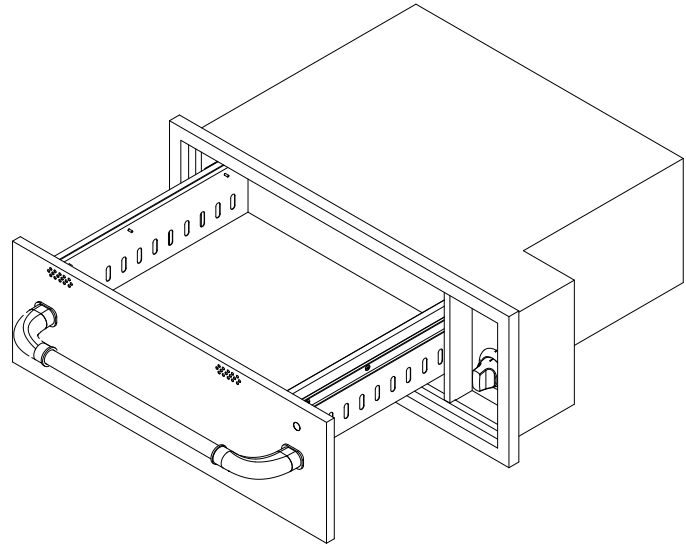


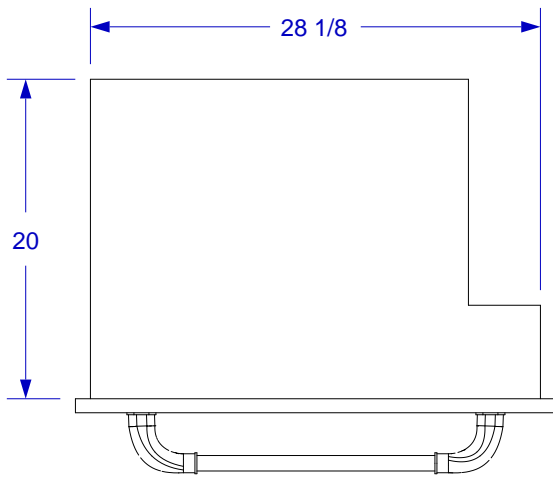


# WARMING DRAWER

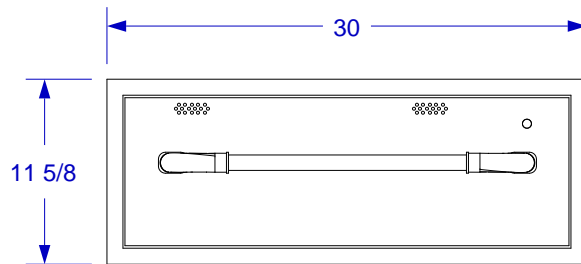
## SPEC SHEET



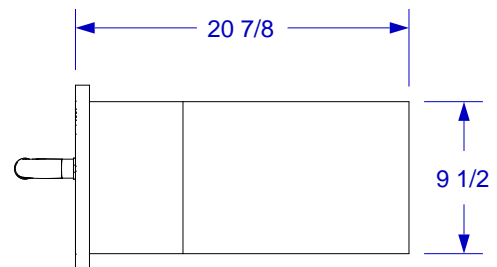
ISOMETRIC VIEW



TOP VIEW



FRONT VIEW



RIGHT SIDE VIEW

- NOTES:**
1. CUTOUT DIMENSIONS: 28 3/4" X 10" X 20 1/4"
  2. SCALE: 1" = 1'-0"
  3. REVISION: 10/2009