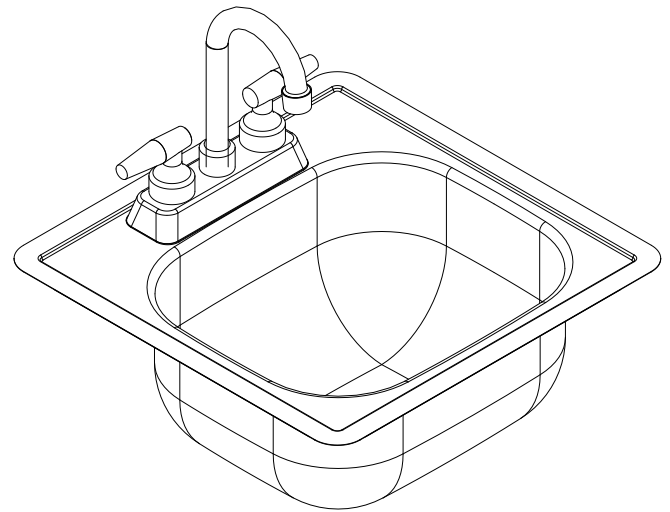
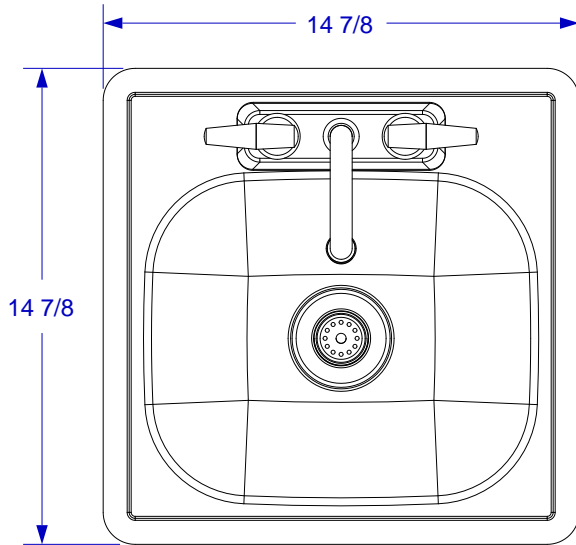




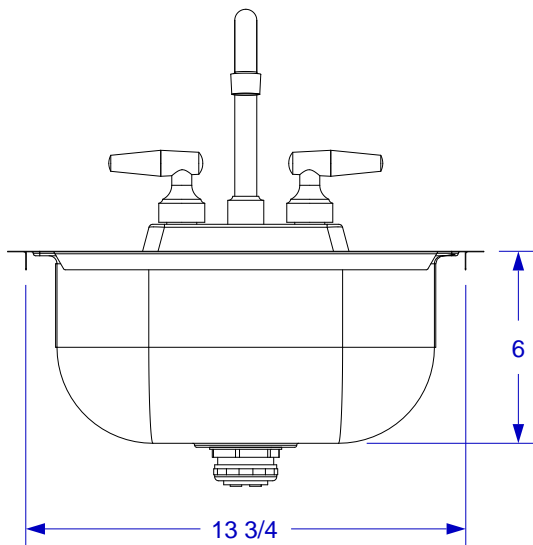
SINK SPEC SHEET



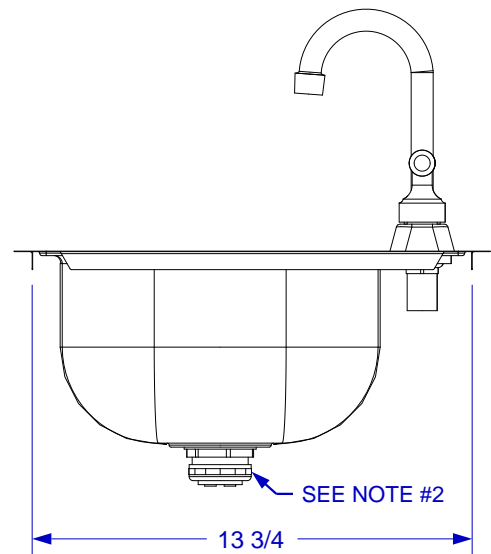
ISOMETRIC VIEW



TOP VIEW



FRONT VIEW



RIGHT SIDE VIEW

- NOTES:
1. CUTOUT DIMENSIONS: 14 1/4" X 14 1/4" X 6"
 2. 1 1/2" DRAIN LINE.
 3. SCALE: 2" = 1'-0"
 4. REVISION: 10/2009