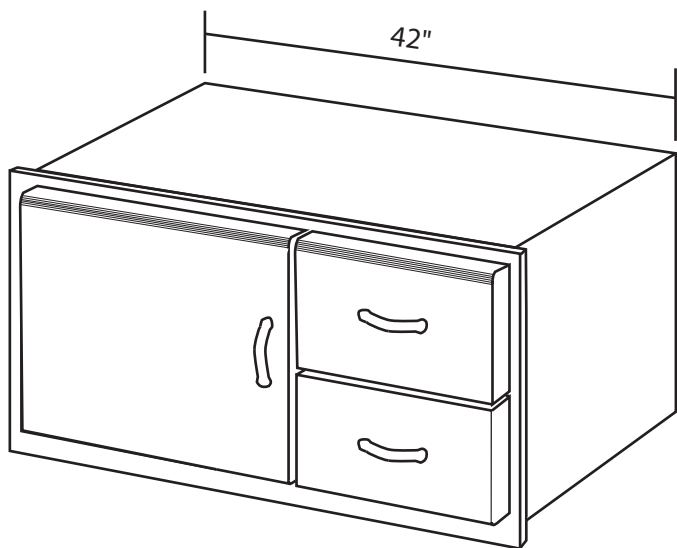


6 Ft. Cord & Plug



Required Cut-Out Size 42-3/8" W By 21-3/8" H

NOTE:

Cabinet requires 25-3/8" Min. Depth and
100 square inches of venting each side of cab.

MODEL ARFG-42 SPECIFICATIONS

Created 7-20-2005 DGS

ELECTRICAL:

115 V

60HZ

1 PHASE

6.0 AMP

Alfresco
Open Air Culinary Systems



ARFG-42 VENTILATION REQUIREMENTS

An adequate source of fresh air must be provided, along with adequate opening to exhaust hot air from the compressor and the island

NOTE: THIS DOCUMENT MUST BE PRINTED IN COLOR.

