

# SPECIFICATIONS

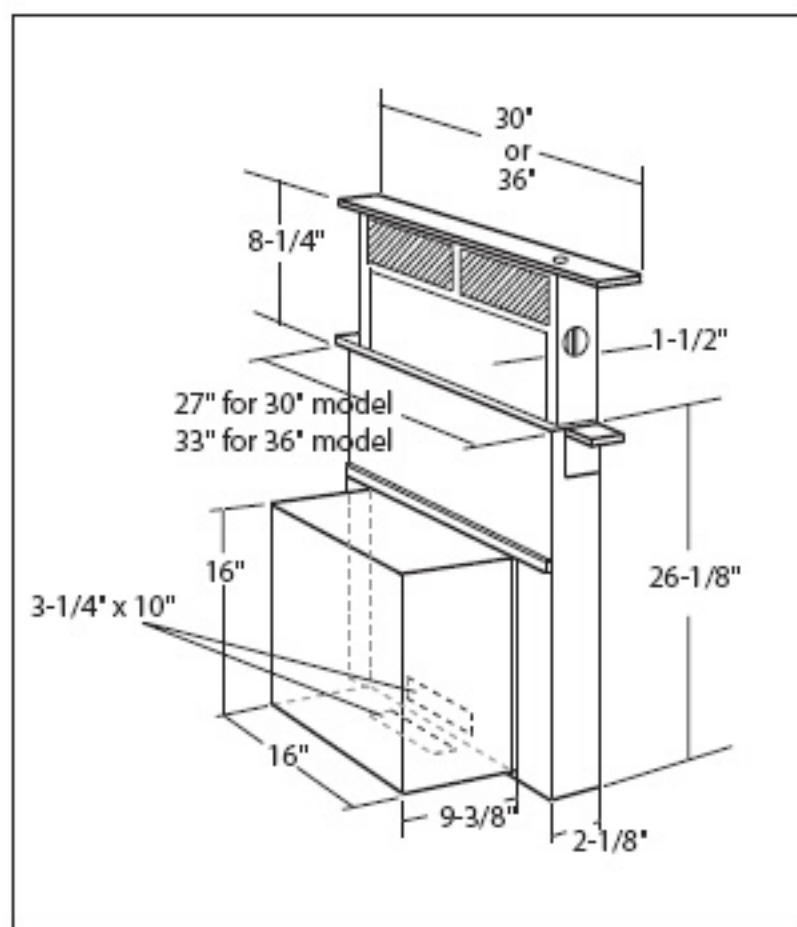


Fig. 01 Downdraft Dimensions

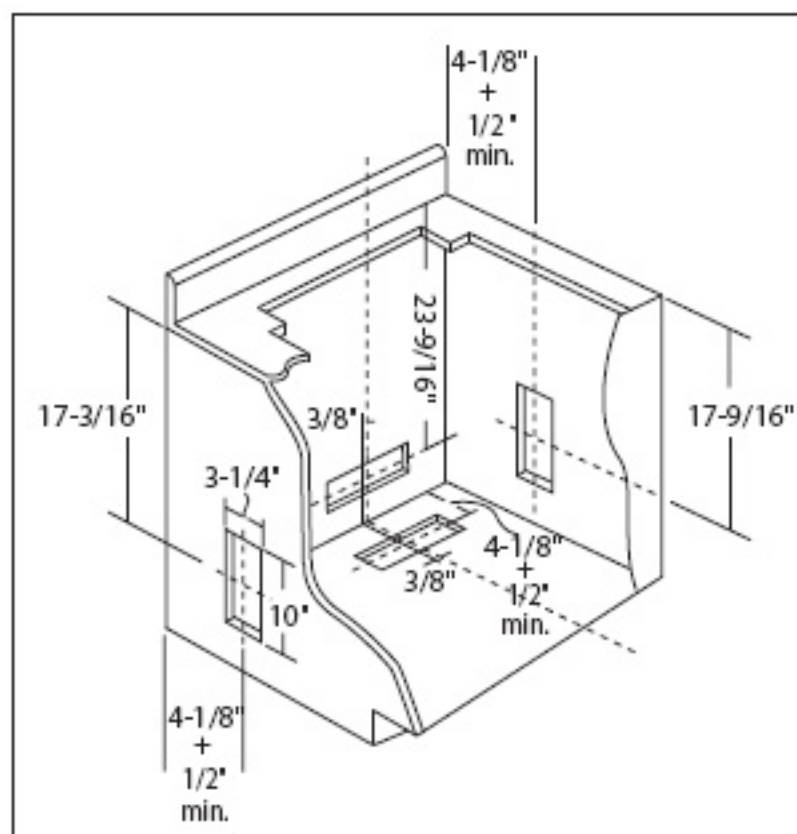


FIG.02 Ductwork Cutout Dimensions