

SIZES & SPECIFICATIONS

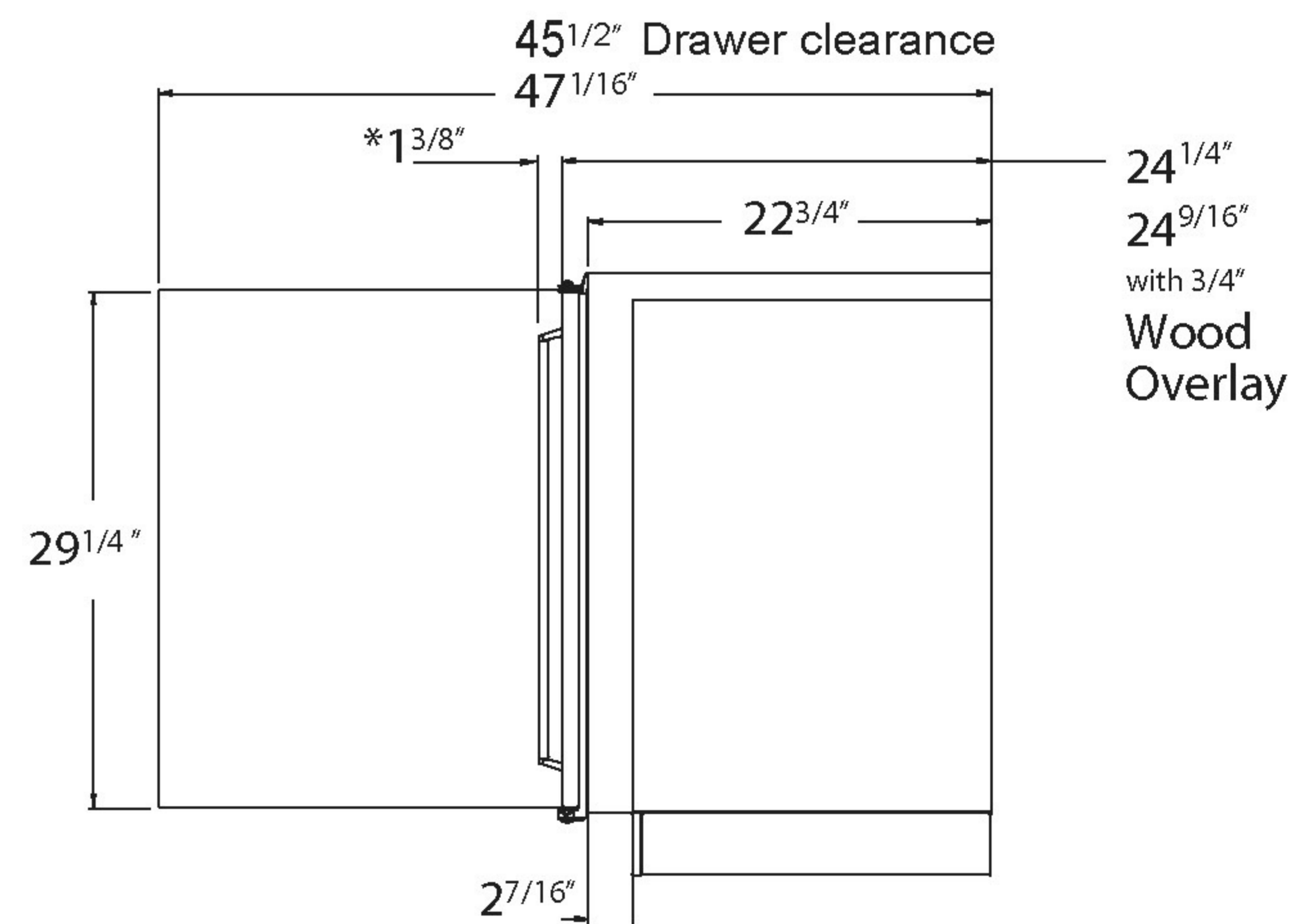
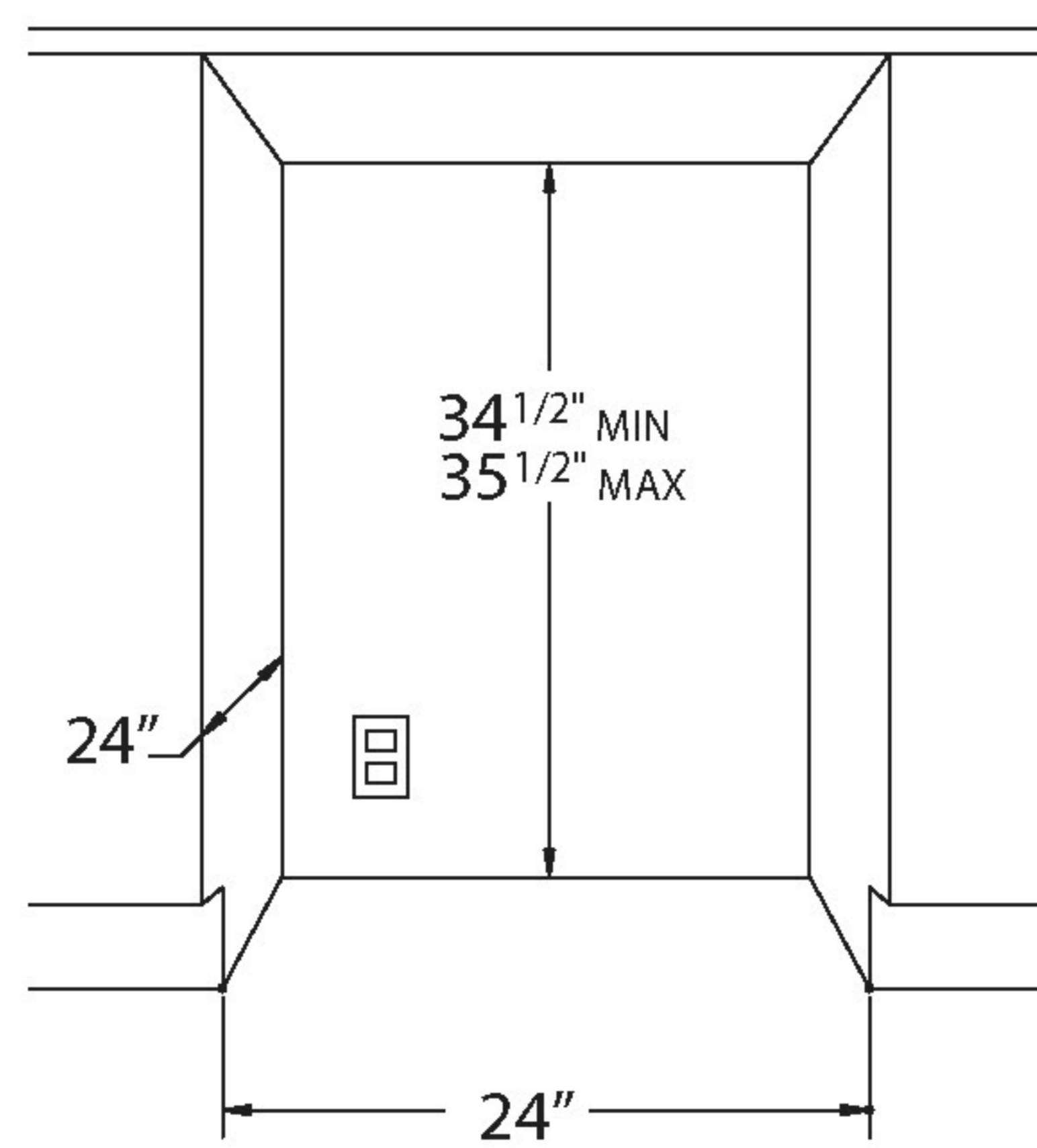
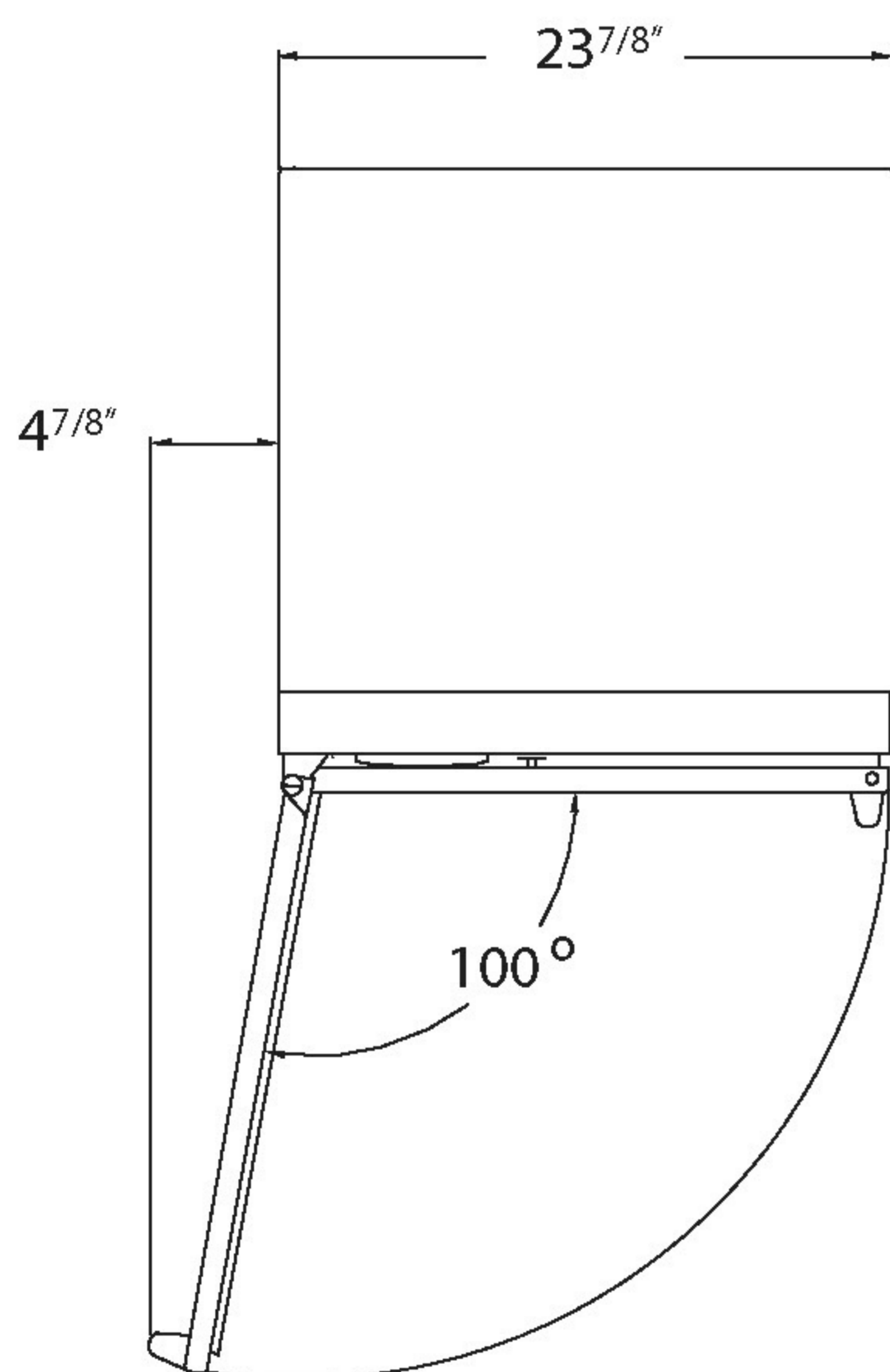
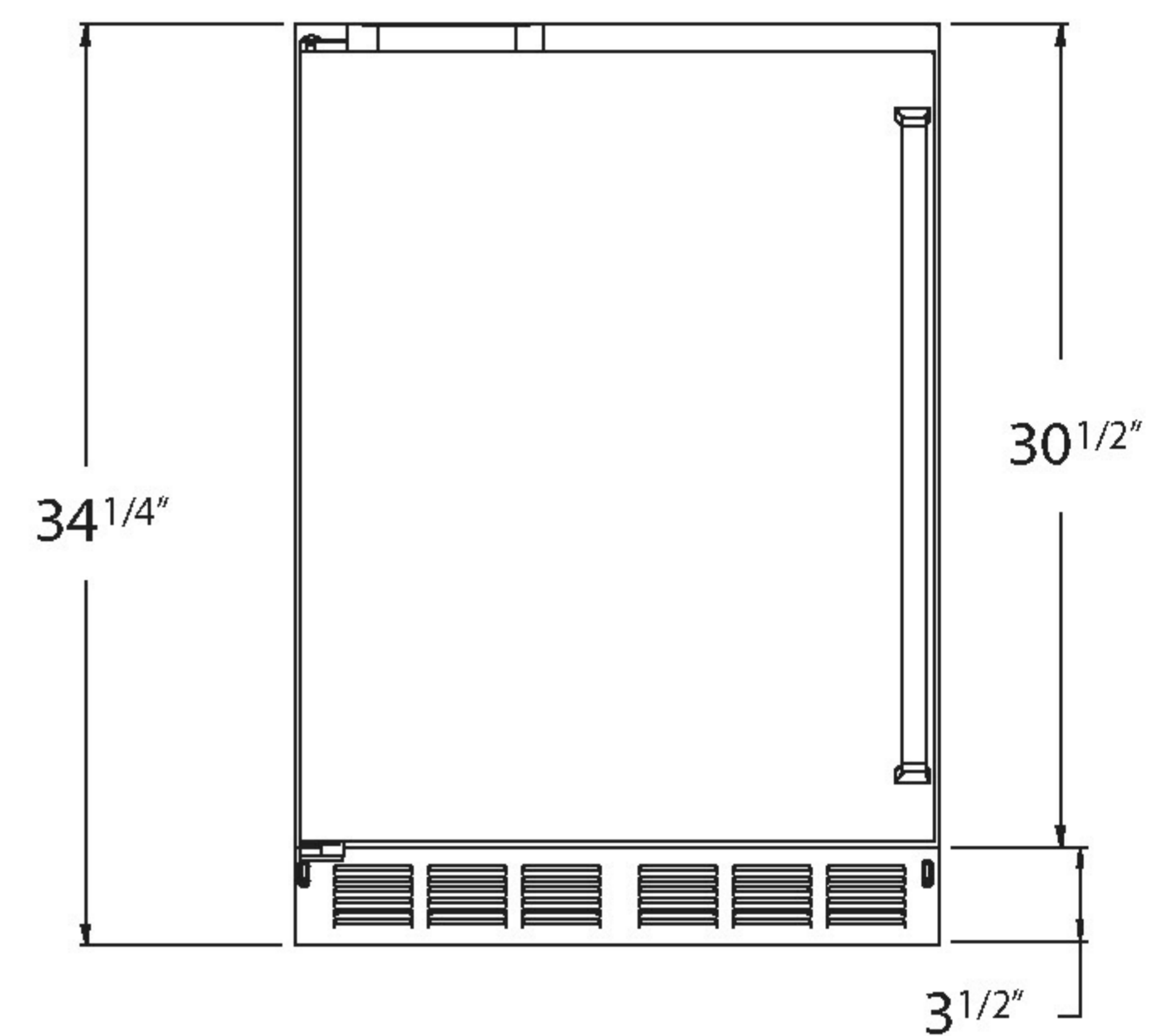
H1F-B	24" Freezer Built In
H1F-S	24" Freezer All Stainless
H1F-O	24" Freezer Outdoor
H1R-B	24" Refrigerator Built In
H1R-S	24" Refrigerator All Stainless
H1R-O	24" Refrigerator Outdoor
H1W-B	24" Wine Built In
H1W-S	24" Wine All Stainless
H1W-O	24" Wine Outdoor
H1B-B	24" Beverage Center Built In
H1B-S	24" Beverage Center All Stainless
H1B-O	24" Beverage Center Outdoor



Door Options

- Solid stainless steel
- Wood overlay kit
- Glass with stainless steel trim (not freezer)
- Glass with wood trim kit (not freezer)

- Electrical** 115V, 60Hz., 1 phase AC, 3 amps.
Plumbing None required - condensate evaporates automatically
Door Hinging Field reversible doors
Shipping Weight 145 lbs.
Refrigerated Vol. 4.9 cubic ft



* Perlick supplied door handle