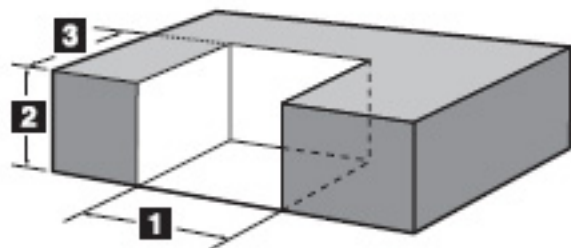


BUILT-IN STRUCTURE CUTOUT DIMENSIONS ALL DIMENSIONS ARE TO FINISHED SURFACES.

⚠ **WARNING:** All countertop finished surfaces must be constructed of a noncombustible material.



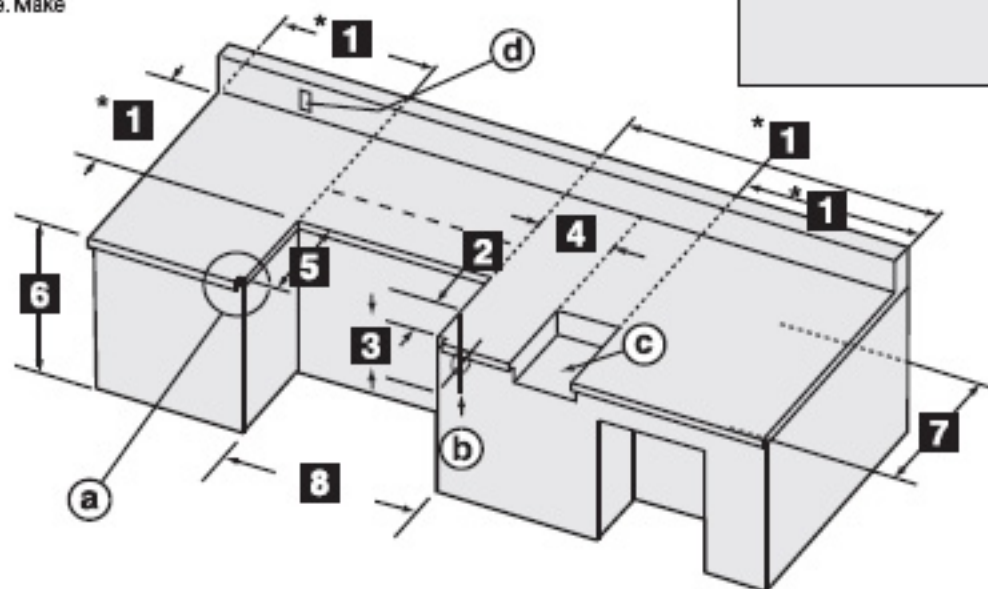
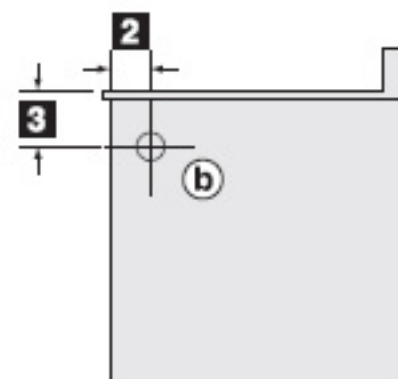
BUILT-IN CUTOUT DIMENSIONS			
	S-460™	S-660™	TOLERANCES
1	30 1/4" (768.35 mm)	38 1/4" (971.55 mm)	+ 1/4" - 1/4" (6.35mm)
2	34 3/8" (873.13 mm)	34 3/8" (873.13 mm)	+ 1/4" - 1/4" (6.35mm)
3	23" (584.2 mm)	23" (584.2 mm)	+ 1/4" - 1/4" (6.35mm)

GENERAL CONSTRUCTION DETAILS

Summit® Built-In unit and all other accessory units should be on site before construction begins.

All dimensions have a tolerance of plus or minus (+/-) 1/4 inch (6.35 mm). The grill frame rests directly on the Island Structure top finished surface. Make sure this surface is level. Do not support the grill from the bottom.

If the supporting structure is going to have an electrical outlet for a rotisserie, it should be on the left side of the structure.



BUILT-IN CUTOUT DIMENSIONS			
		S-460™	S-660™
DIMENSIONS	1	24" minimum* (610 mm)	24" minimum* (610 mm)
	2	4 3/4" (120.65 mm)	4 3/4" (120.65 mm)
	3	6 1/4" (158.75 mm)	6 1/4" (158.75 mm)
	4	10 1/2" (266.7 mm) minimum	10 1/2" (266.7 mm) minimum
	5	23" (584.2 mm)	23" (584.2 mm)
	6	34 3/8" (873.13 mm)	34 3/8" (873.13 mm)
	7	27" (685.8 mm) minimum distance from front edge of the cutout for open lid clearance	27" (685.8 mm) minimum distance from front edge of the cutout for open lid clearance
	8	30 1/4" (768.35 mm) Built-In Frame	38 1/4" (971.55 mm) Built-In Frame
a	Note: For a countertop treatment: Recommended 3/4" (19.1 mm) overhang. Notch front edge for frame to fully slide in.		
b	Gas Inlet		
c	Side Burner Opening		
d	Access for electric on left hand side		
* Clearance from any surface or structure is at least 24" (609.6mm) from the back and sides of the grill or side burner.			